

A19 Series

Cree Lighting Professional Series LED Lamps

Rev. Date: V3 11/30/2020

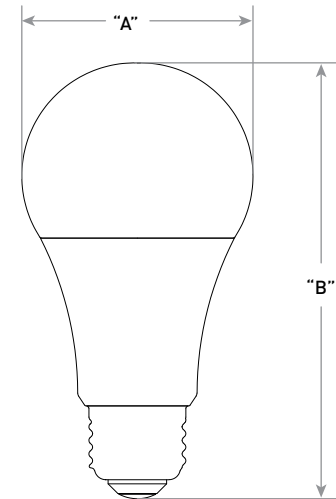
Product Description

At Cree Lighting, we believe in better lighting. Better light is beautiful light. But it's more than just beautiful. It is light that makes you feel more productive, more relaxed and safer. Better light changes everything. That's why the new and improved 90+ CRI Cree Lighting Professional Series LED bulbs feature high color rendering that enhances your space and makes the colors of your decor appear vibrant, richer and more natural – true colors the way they are meant to be experienced. The Cree Lighting Professional Series LED A19 bulbs deliver up to 1,600 lumens of 2700K, 3000K, 4000K or 5000K light while consuming at least 84% less energy than the incandescent bulbs they replace. These lamps feature a consistent and balanced omnidirectional light source, turn on instantly, and are compatible with most standard incandescent dimmers; no buzz, no hum. The Cree Lighting LED A19 series are suitable for enclosed fixtures, ENERGY STAR®-certified CEC California Compliant lamps, and are designed to last 25,000 hours.

Performance Summary

Lamp Delivered Light Output: 460-1,600 lumens
Input Power: 40W Replacement: 5.5 watts; 60W Replacement: 10 watts; 75W Replacement: 12.0 watts 100W Replacement: 15.0 watts
CRI: >90
CCT: 2700K, 3000K, 4000K (60W Only), 5000K
Limited Warranty*: 5 years Commercial use
Lifetime: Designed to last at least 25,000 hours
Dimming: Dimmable to 5% with select dimmers
ENERGY STAR® Certified, CEC California Title 20/Title 24 JA8 Compliant
Lamps suitable for Enclosed Fixtures (Except 100W Lamps)
Can be ordered in Single Lamp Packs (Master Carton Quantity = 12 Single-Lamp Packs)

*See <http://creelighting.com/warranty> for warranty terms



Wattage	Dim. "A"	Dimension "B"
40W	2.36" (60mm)	4.3". (110mm)
60W & 75W	2.44" (62mm)	4.6". (117mm)
100W	2.44" (62mm)	4.4". (112mm)

Ordering Information

Example: A19-60W-P1-27K-E26-U1

A19		P1			E26		U1
Product	Watt Equivalent	Series	CCT	Voltage	Base	CRI	Packaging
A19	40W 40 Watt, 460 lumens 60W 60 Watt, 815 lumens 75W 75 Watt, 1,100 lumens 100W 100 Watt, 1,600 lumens	P1 Professional Series 1 st Generation	27K 2700K 30K 3000K 40K 4000K - 60W only 50K 5000K	Blank 120 Volt	E26 E26 (screw base)	Blank >90	U1 Single-Lamp Pack Master Carton = 12 Single-Lamp Packs



A19 Pro Series LED Lamps

Product Specifications

CONSTRUCTION & MATERIALS

- 40W A-type Bulb design weighs 1.6 ounces (45g); 60W A-type Bulb design weighs 3.1 ounces (88g); 75W A-type Bulb design weighs 3.3 ounces (94g)
- Bulb meets ANSI standards for A19 dimensions
- Uses a standard E26 screw base
- Mercury free
- **Dimensions:** 40W - 4.7" H x 2.4" W x 2.4" D (Single Lamp Carton); 5.4" H x 7.9" W x 10.3" D (Master Carton), 60W and 75W - 4.7" H x 2.5" W x 2.5" D (Single Lamp Carton); 5.4" H x 8.2" W x 10.8" D (Master Carton)

OPTICAL SYSTEM

- Omnidirectional light distribution
- Plastic globe offers increased optical spread

ELECTRICAL SYSTEM

- **Power Factor:** > 0.9 nominal
- **Input Voltage:** 120V, 60Hz
- **Dimming:** Dimmable to 5% with select dimmers. Visit creelighting.com/dimming
- **Operating Temperature Range:** -25°C - +45°C (-13°F - +113°F)

REGULATORY & VOLUNTARY QUALIFICATIONS

- cULus Listed
- Suitable for damp locations, but not for use where exposed directly to weather or water
- 40W, 60W, 75w replacement lamps suitable for use in enclosed light fixtures
- Meets FCC Part 15, Subpart B, Class B limits for conducted and radiated emissions
- ENERGY STAR® certified. Please refer to <http://www.energystar.gov/productfinder/product/certified-light-bulbs/> results for most current information
 - A19-40W-P1-27K-E26-U1
 - A19-40W-P1-30K-E26-U1
 - A19-40W-P1-50K-E26-U1
 - A19-60W-P1-27K-E26-U1
 - A19-60W-P1-30K-E26-U1
 - A19-60W-P1-40K-E26-U1
 - A19-60W-P1-50K-E26-U1
 - A19-75W-P1-27K-E26-U1
 - A19-75W-P1-30K-E26-U1
 - A19-75W-P1-50K-E26-U1
 - A19-100W-P1-50K-E26-U1
- RoHS compliant. Consult factory for additional details
- Meets CA Title 24 JA8 Requirements when ordered with 27K or 30K CCTs
- Meets CA Title 20 Appliance Regulations
- **CA RESIDENTS WARNING:** Cancer and Reproductive Harm – www.p65warnings.ca.gov

Packaging

Single-Lamp Pack; Master Carton = 12 Single-Lamp Packs



A19 Pro Series LED Lamps

Ordering Number	Single-Lamp Pack UPC	Description	Bulb Type	Watts	CCT	Single-Lamp Packs per Master Carton	Master Carton ITF-14	Total Lamps per Master Carton	Master Cartons per Pallet Qty	CRI	Lumens	Rated Life (Hrs)
A19-40W-P1-27K-E26-U1	849665023043	40W Soft White A19 Equivalent	A19	5.5	2700K	12	10849665023040	12	176	>90	460	25,000
A19-40W-P1-30K-E26-U1	849665023050	40W Bright White A19 Equivalent	A19	5.5	3000K	12	10849665023057	12	176	>90	460	25,000
A19-40W-P1-50K-E26-U1	849665023067	40W Daylight A19 Equivalent	A19	5.5	5000K	12	10849665023064	12	176	>90	460	25,000
A19-60W-P1-27K-E26-U1	849665023074	60W Soft White A19 Equivalent	A19	10	2700K	12	10849665023071	12	152	>90	815	25,000
A19-60W-P1-30K-E26-U1	849665023081	60W Bright White A19 Equivalent	A19	10	3000K	12	10849665023088	12	152	>90	815	25,000
A19-60W-P1-40K-E26-U1	849665023098	60W Cool White A19 Equivalent	A19	10	4000K	12	10849665023095	12	152	>90	815	25,000
A19-60W-P1-50K-E26-U1	849665023104	60W Daylight A19 Equivalent	A19	10	5000K	12	10849665023101	12	152	>90	815	25,000
A19-75W-P1-27K-E26-U1	849665023111	75W Soft White A19 Equivalent	A19	12	2700K	12	10849665023118	12	152	>90	1,100	25,000
A19-75W-P1-30K-E26-U1	849665023128	75W Bright White A19 Equivalent	A19	12	3000K	12	10849665023125	12	152	>90	1,100	25,000
A19-75W-P1-50K-E26-U1	849665023135	75W Daylight A19 Equivalent	A19	12	5000K	12	10849665023132	12	152	>90	1,100	25,000
A19-100W-P1-27K-E26-U1	849665036944	100W Soft White A19 Equivalent	A19	15	2700K	12	10849665036941	12	152	>90	1,600	25,000
A19-100W-P1-30K-E26-U1	849665036951	100W Bright White A19 Equivalent	A19	15	3000K	12	10849665036958	12	152	>90	1,600	25,000
A19-100W-P1-50K-E26-U1	849665036968	100W Daylight A19 Equivalent	A19	15	5000K	12	10849665036965	12	152	>90	1,600	25,000

© 2020 Cree Lighting, A company of IDEAL INDUSTRIES. All rights reserved. For informational purposes only. Content is subject to change. Patent www.creelighting.com/patents. Cree® and the Cree logo are registered trademarks of Cree, Inc. The UL logo is a registered trademark of UL LLC. ENERGY STAR® and the ENERGY STAR logo are registered trademarks of the U.S. Environmental Protection Agency.

US: creelighting.com (800) 236-6800

Canada: creelighting-canada.com (800) 473-1234

CREE  **LIGHTING**

A COMPANY OF IDEAL INDUSTRIES, INC.



DESCRIPTION

Replace existing metal halide flood fixtures with these more efficient color selectable LED flood fixtures.

FEATURES

- Delivers 147 LPW for highly efficient performance
- Heat sink for optimal thermal management
- Round back for a more decorative look
- Knuckle mount adjusts up to 90-degrees
- Slipfitter adjusts up to 90-degrees
- 0-10V dimming
- Light output changes depending on the color temperature selected; see Selectable Table for full breakdown
- Color temperature can be adjusted using switch on fixture; see installation instructions for more information

LISTINGS

- UL rated for wet locations
- IP65
- FCC

PERFORMANCE

- CRI: >70
- CCT: 3000K, 4000K, 5000K
- Rated lifetime L70: 50,000 hours

THERMAL

- -40°F to 113°F or (-40°C to 45°C) operating temperature

ELECTRICAL

- THD: <20%
- Power Factor: >0.95
- Input Voltage: 120-277V
- Dimmable power supply (0-10V)

INSTALLATION

- 40W and 60W fixtures designed for installation with included knuckle mount; see installation instructions for more information
- 100W and 150W fixtures designed for installation with included adjustable slipfitter mount; see installation instructions for more information

CONSTRUCTION

- Die-cast aluminum housing
- Durable polyester bronze powder coating withstands demanding environments
- Impact-resistant tempered glass lens

project name	type
catalog number	
comments	voltage
approved by	date



WARRANTY

- 5 year prorated warranty; see pltsolutions.com for warranty details

APPLICATIONS

- Safety and Security Lighting
- Sign Lighting
- Building Facades

PERFORMANCE SUMMARY

Item #	Watts*	CCT*	Beam Angle	CRI	Dimming	Voltage	Replaces	Mounting
PLTS-12300	40	3000K / 4000K / 5000K	110°	>70	0-10V	120-277V	MH250	Knuckle Mount
PLTS-12301	60	3000K / 4000K / 5000K	110°	>70	0-10V	120-277V	MH250	Knuckle Mount
PLTS-12302	100	3000K / 4000K / 5000K	110°	>70	0-10V	120-277V	MH250	Slipfitter Mount
PLTS-12303	150	3000K / 4000K / 5000K	110°	>70	0-10V	120-277V	MH400	Slipfitter Mount

*See Selectable Table for full breakdown

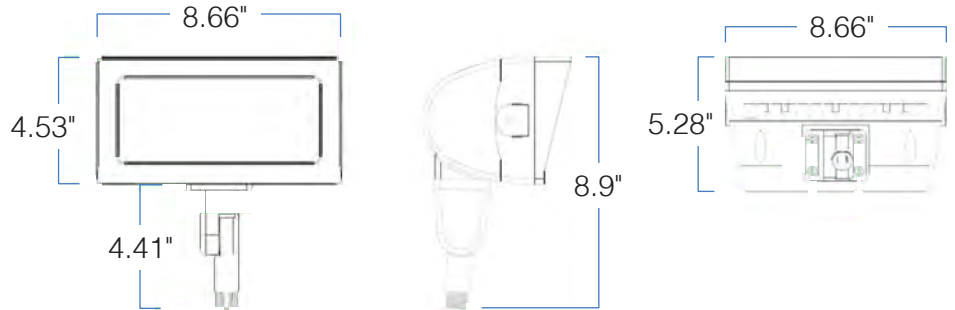
SELECTABLE TABLE

Wattage	CCT	Lumen	Efficacy
40	3000K	5354	134
	4000K	5667	142
	5000K	5406	135
60	3000K	8275	138
	4000K	8821	147
	5000K	8537	142
100	3000K	13,757	138
	4000K	14,628	146
	5000K	14,072	141
150	3000K	19,357	129
	4000K	20,970	140
	5000K	19,809	132

DIMENSIONS

40W-60W W/ KNUCKLE MOUNT

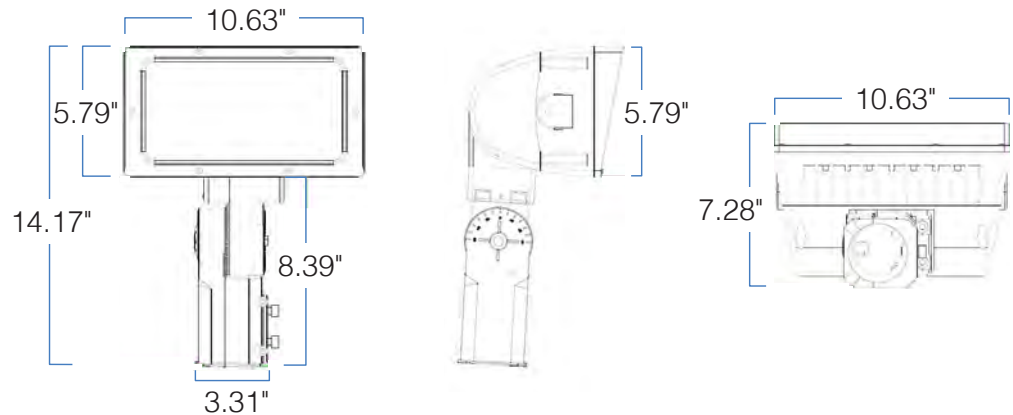
Height: 4.53"
 Height (with mount): 8.90"
 Width: 8.66"
 Depth: 5.28"



Knuckle Mount Length: 4.41"
 Screw Diameter: 0.87"

100W-150W W/ SLIPFITTER MOUNT

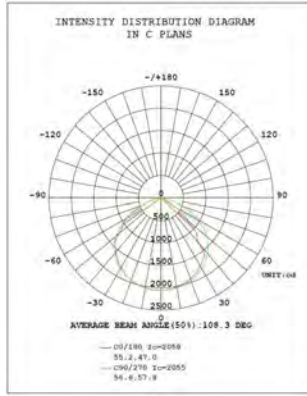
Height: 5.79"
 Height (with mount): 14.17"
 Width: 10.63"
 Depth: 7.28"



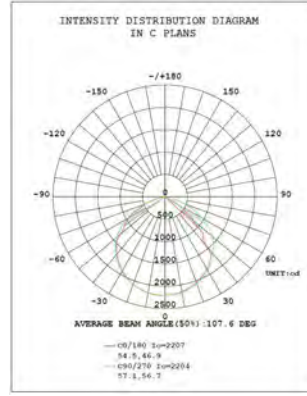
Slipfitter length: 8.39"
 Slipfitter width: 3.31"

40W FLOOD FIXTURE

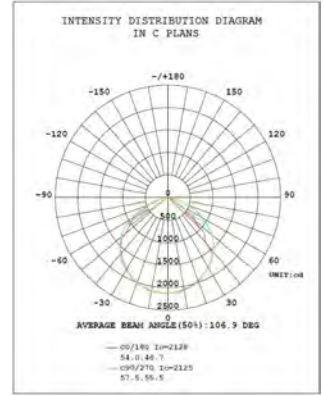
3000K



4000K

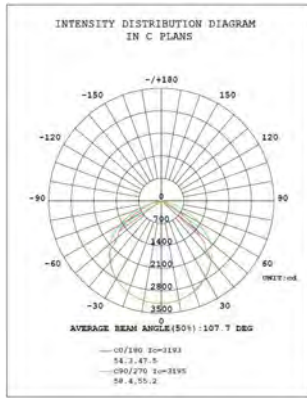


5000K

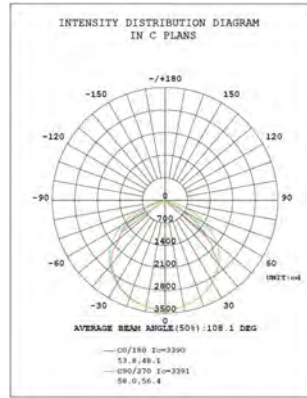


60W FIXTURE

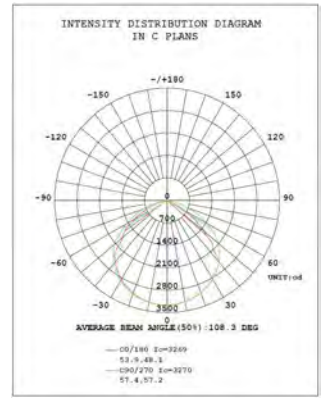
3000K



4000K

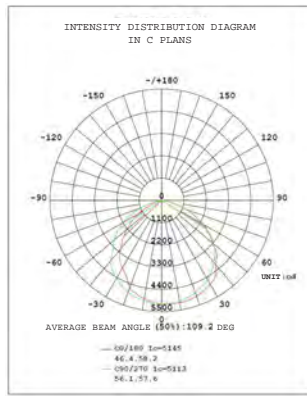


5000K

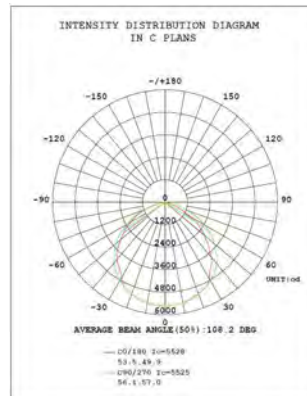


100W FIXTURE

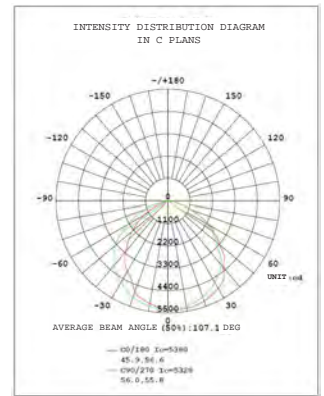
3000K



4000K

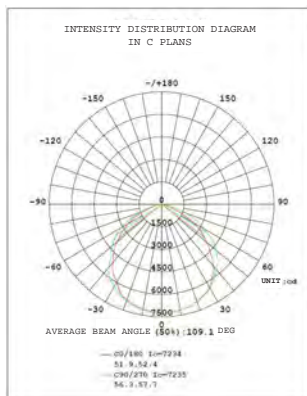


5000K

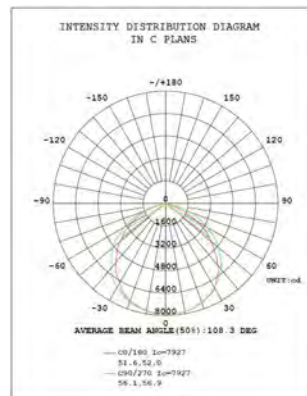


150W FIXTURE

3000K



4000K



5000K

