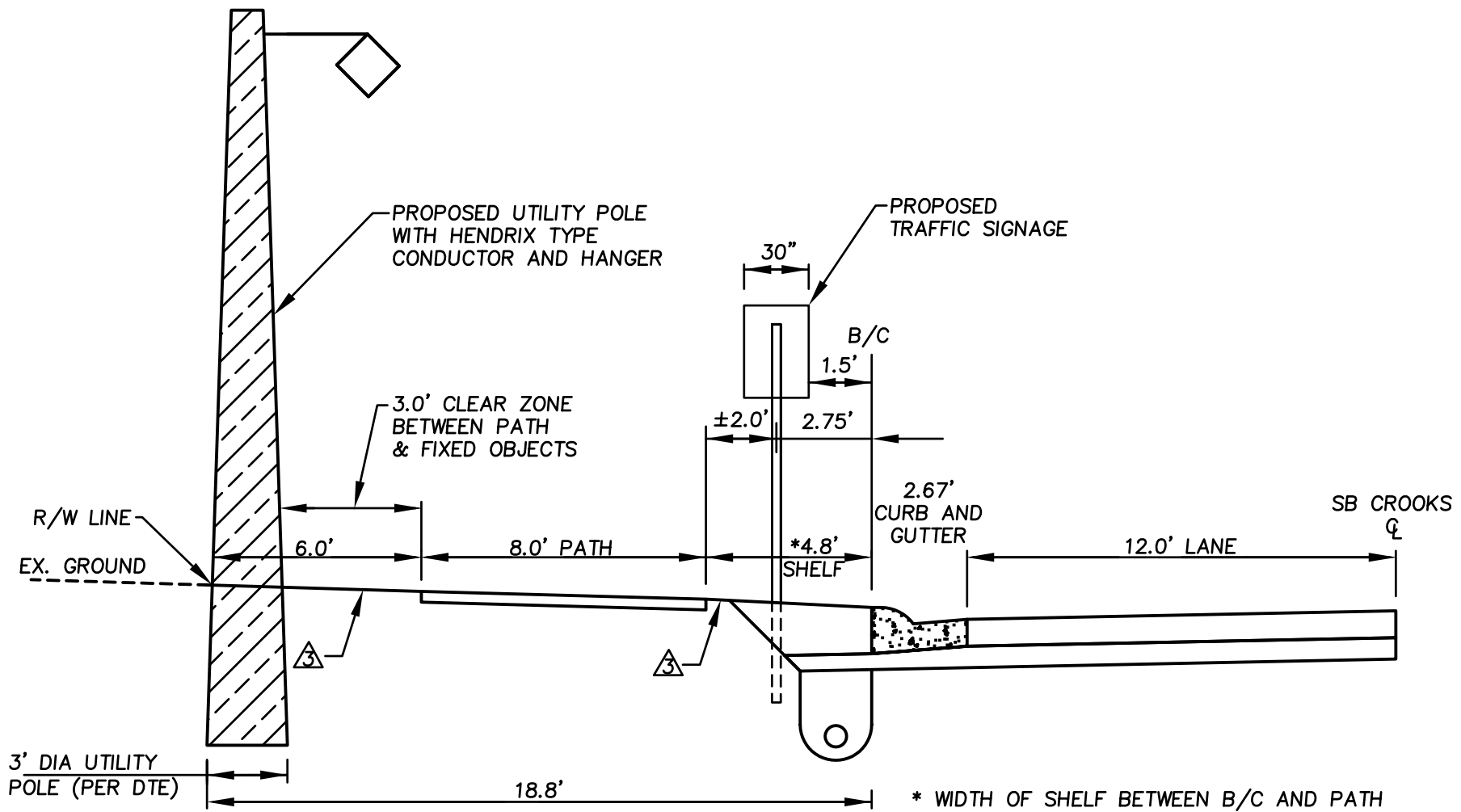


TYPICAL SECTION BETWEEN 300' S. OF RUBY TO AUBURN ROAD WITH UTILITIES & 6' WIDE PATH (NTS)

\* WIDTH OF SHELF BETWEEN B/C AND PATH IS VARIABLE DUE TO RIGHT TURN LANES, ALIGNMENT SHIFTS ETC. SHELF WIDTH AS SHOWN IS MINIMUM WIDTH BASED ON (2) SB LANES FOR CROOKS ROAD.

⊲: AREA TO BE RESTORED WITH GREENBELT

ROAD COMMISSION FOR OAKLAND COUNTY Beverly Hills, Michigan	DATE	PROJECT NO.	PROJECT NAME	SHEET NO.	TOTAL SHEETS
	06/09/04	47971	CROOKS ROAD	XX	XX



TYPICAL SECTION BETWEEN 300' S. OF RUBY  
 TO AUBURN ROAD WITH UTILITIES & 8' WIDE PATH  
 (NTS)

\* WIDTH OF SHELF BETWEEN B/C AND PATH IS VARIABLE DUE TO RIGHT TURN LANES, ALIGNMENT SHIFTS ETC. SHELF WIDTH AS SHOWN IS MINIMUM WIDTH BASED ON (2) SB LANES FOR CROOKS ROAD.

△: AREA TO BE RESTORED WITH GREENBELT

ROAD COMMISSION FOR OAKLAND COUNTY Beverly Hills, Michigan	DATE	PROJECT NO.	PROJECT NAME	SHEET NO.	TOTAL SHEETS
	06/09/04	47971	CROOKS ROAD	XX	XX