

IRRIGATION SCHEDULE

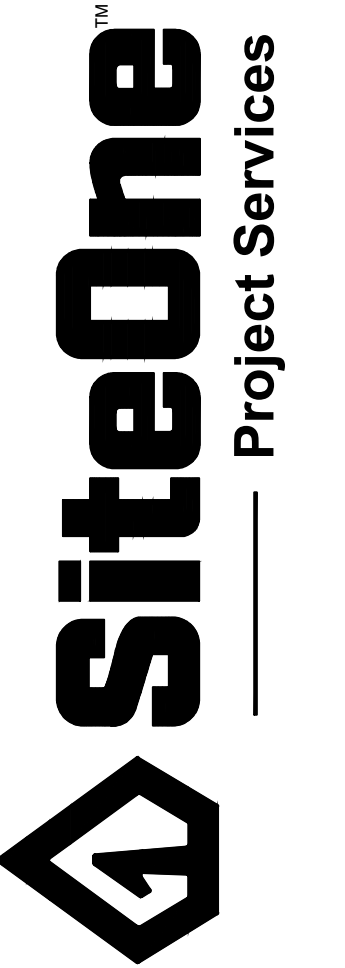
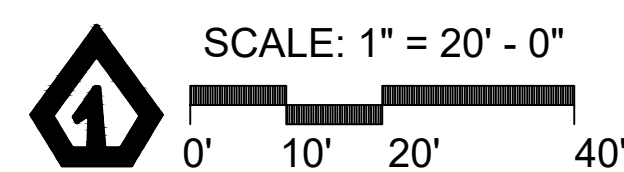
SYMBOL	MANUFACTURER/MODEL	QTY
	Hunter PROS-04 10' radius	3
	Hunter PROS-04 12' radius	14
	Hunter PROS-04 15' radius	19

SYMBOL	MANUFACTURER/MODEL	QTY
	Rain Bird X CZ-100-PRF 1"	1
	Flush Valve	1
	Drip Air Relief Valve	1
	Area to Receive Dripline Netafim TLDL-06-12 (12)	624.9 l.f.
	Netafim TLDL-06-12	12.7 l.f.

SYMBOL	MANUFACTURER/MODEL	QTY
	Hunter PGV-101G 1"	4
	Hunter HQ-5RC 1"	1
	Febco 765 1"	1
	Hunter PC-400 with (01) PCM-300	1
	Hunter WR-CLIK	1
	POC 1"	1
	Irrigation Lateral Line: Polyethylene Pipe 100 PSI 1"	965.4 l.f.
	Irrigation Mainline: PVC Class 200 SDR 21 1"	290.4 l.f.
	Pipe Sleeve: PVC Class 160 SDR 26 2"	47.1 l.f.
	Pipe Sleeve: PVC Class 160 SDR 26 4"	43.6 l.f.
	Valve Callout	
	Valve Number	
	Valve Flow	
	Valve Size	

IRRIGATION SPECIFICATIONS

- IRRIGATION SYSTEM DESIGN BASED ON 12 GPM AT 50 PSI.
- IRRIGATION DESIGN IS FROM THE POINT OF CONNECTION(POC) ONLY. THE DESIGN IS BASED ON GALLONS PER MINUTE(GPM) AND POUNDS PER SQUARE INCH(Psi) FURNISHED BY OTHERS.
- IRRIGATION CONTRACTOR IS TO VERIFY POINT OF CONNECTION IN THE FIELD. INSTALLER IS TO CONFIRM THE MINIMUM DISCHARGE REQUIREMENTS OF THE POINT OF CONNECTION AS INDICATED ON THE LEGEND PRIOR TO INSTALLATION.
- THE PRESSURE REQUIREMENT AT THE POINT OF CONNECTION IS BASED ON NO MORE THAN 5 FEET OF ELEVATION CHANGE IN THE AREAS OF IRRIGATION.
- ALL PRODUCTS SHALL BE INSTALLED IN ACCORDANCE WITH THE MANUFACTURER'S RECOMMENDATIONS AND ACCORDING TO LOCAL BUILDING, ELECTRICAL, AND PLUMBING CODES.
- IRRIGATION CONTRACTOR WILL ARRANGE INSPECTIONS REQUIRED BY LOCAL AGENCIES AND ORDINANCES DURING THE COURSE OF CONSTRUCTION AS REQUIRED. ALL WIRING TO BE PER LOCAL CODE. BACKFLOW PREVENTION TO BE PER LOCAL CODE.
- LOCATION OF IRRIGATION COMPONENTS SHOWN ON DRAWING IS APPROXIMATE. ACTUAL PLACEMENT MAY VARY SLIGHTLY AS REQUIRED TO ACHIEVE FULL, EVEN COVERAGE.
- ALL SPRINKLER HEADS SHALL BE INSTALLED PERPENDICULAR TO FINISH GRADES. EXCEPT AS OTHERWISE INDICATED.
- INSTALL IRRIGATION MAINS WITH A MINIMUM 18" OF COVER BASED ON FINISH GRADES. INSTALL IRRIGATION LATERALS WITH MINIMUM 12" OF COVER BASED ON FINISH GRADES.
- PIPE LOCATIONS ARE DIAGRAMMATIC. VALVES AND MAINLINE SHOWN IN PAVED AREAS ARE FOR GRAPHIC CLARITY ONLY.
- THE IRRIGATION CONTRACTOR SHALL COMPLY WITH PIPE SIZES AS INDICATED.
- ALL WIRE SPLICES OR CONNECTIONS SHALL BE MADE WITH APPROVED WATERPROOF WIRE CONNECTIONS AND BE IN A VALVE OR SPLICE BOX.
- ALL CONTROL WIRING DOWNSTREAM OF THE CONTROLLER IS TO BE 14 AWG, UL APPROVED DIRECT BURY.
- THE DESIGN IS BASED ON THE SITE INFORMATION AND/OR DRAWING SUPPLIED WITH THE DESIGN CRITERIA BEING SET (AREA TO BE IRRIGATED, EQUIPMENT MANUFACTURER AND MODEL TO BE USED, WATER SOURCE INFORMATION, ELECTRICAL POWER AVAILABILITY, ETC...). SITEONE LANDSCAPE SUPPLY BEARS NO RESPONSIBILITY OR LIABILITY FOR ANY ERRORS IN DESIGN OR INSTALLATION THAT ARISE DUE TO INACCURACIES IN THE ABOVE REFERENCED INFORMATION SUPPLIED TO SITEONE LANDSCAPE SUPPLY LANDSCAPES IN RELATION TO THIS PROJECT, UNLESS OTHERWISE NOTED.



1-800-347-4272
http://www.projectsitesone.com

650 Stephenson Highway
Troy, Michigan 48083
Phone 248.588.2100
Fax 248.588.3528
www.Siteone.com
800.347.4272

Project Name:
BIGGBY COFFEE ROCHESTER
ROCHESTER HILLS, MI, 48307

Customer Name:

Design Date: 07/23/21
Drawn By: SW
Checked By: C. GRAHAM

REVISIONS

Description	Date

Drawing Title:
IRRIGATION DESIGN

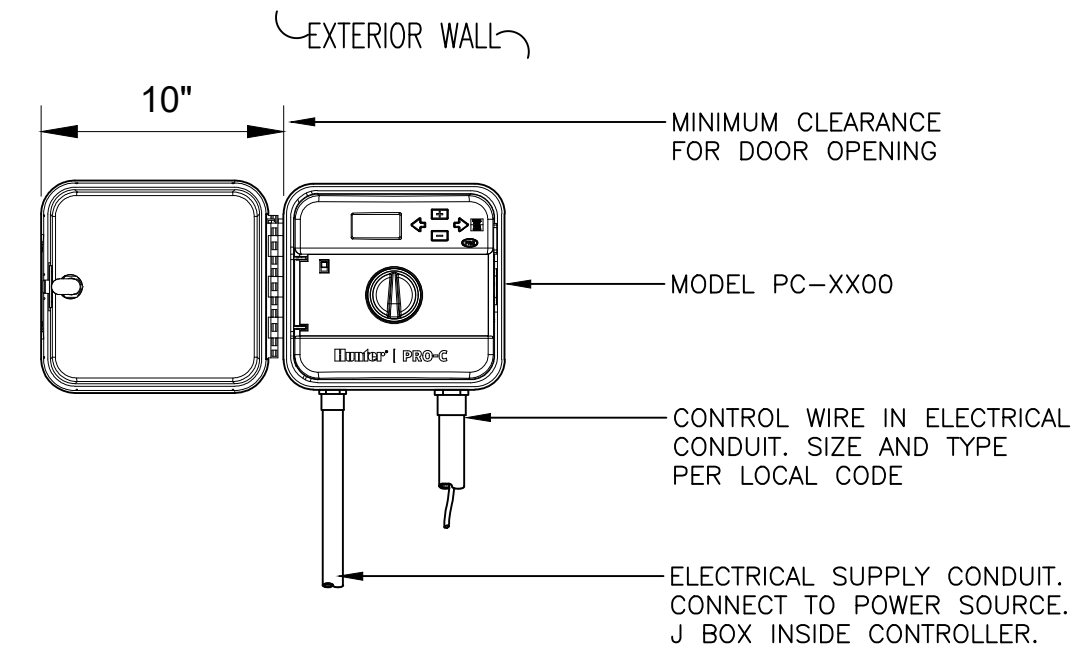
Drawing Scale: 1" = 20'

Project Services Number: 260019

Sheet Number:

IR-1

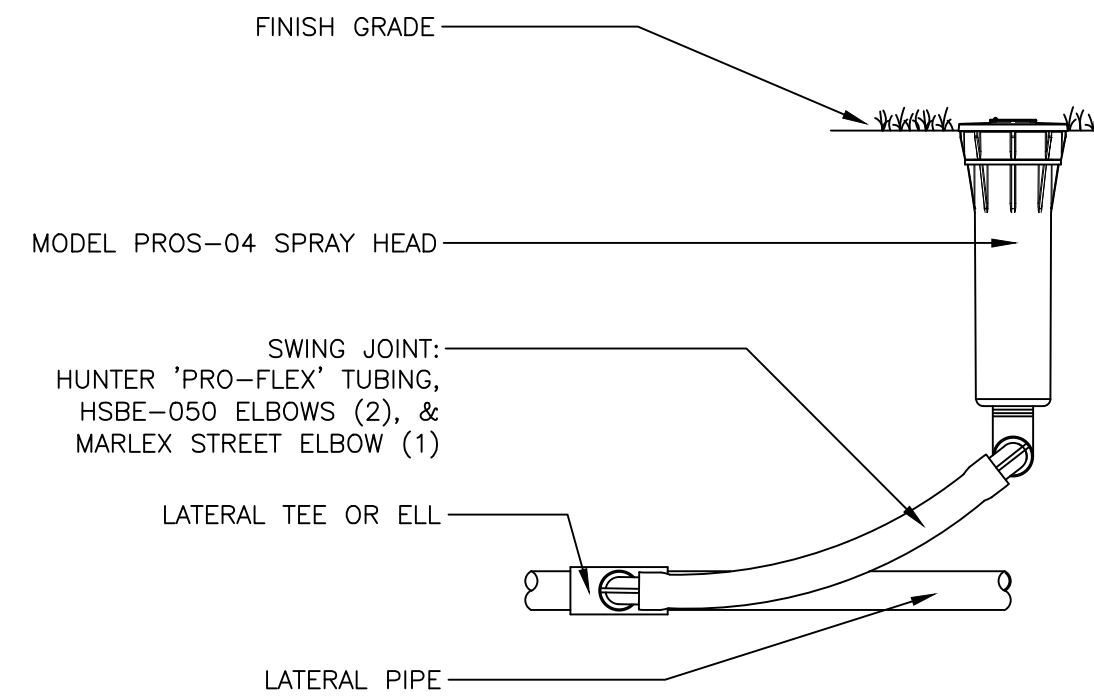
Hunter®



NOTE
SPECIFY 4, 7, 10, 13, 16 STATION MODEL CONTROLLER. MOUNT CONTROLLER WITH LQD SCREEN AT EYE LEVEL. CONTROLLER SHALL BE HARD-WIRED TO GROUND 110 VAC SOURCE.

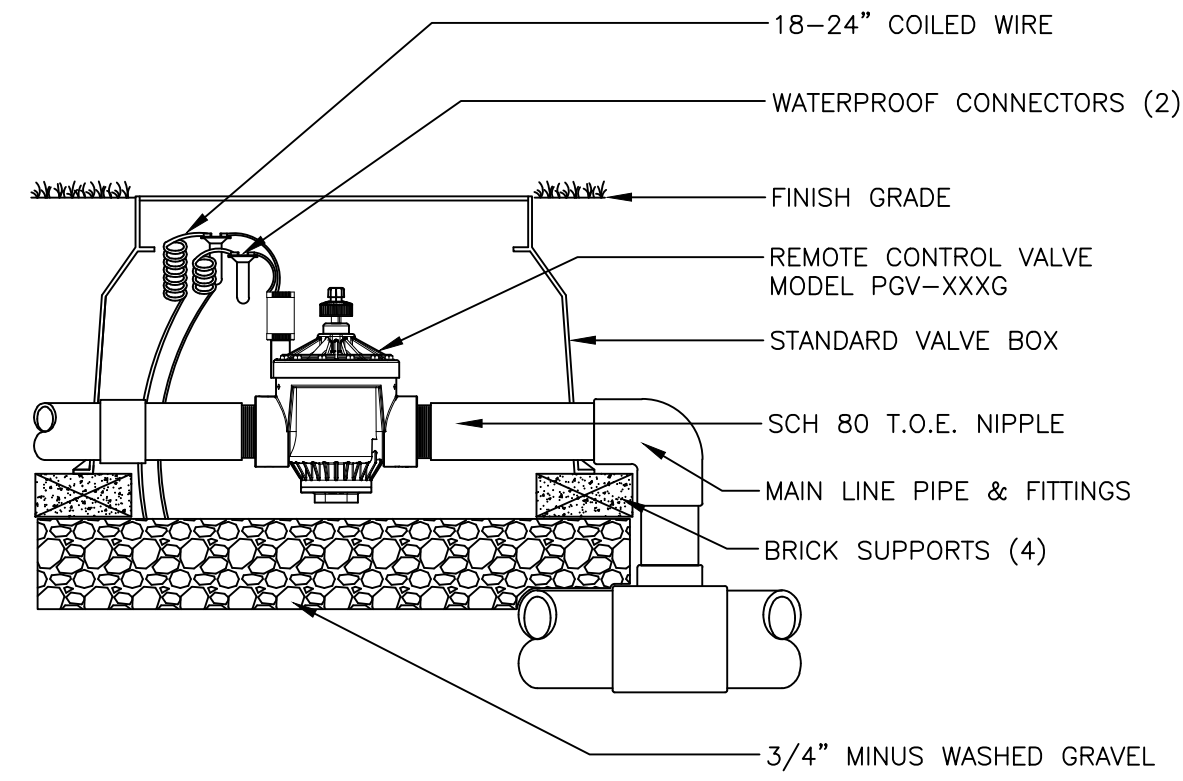
1 PRO-C CONTROLLER
1 1/2" = 1'-0" FX-IR-HUNT-CONT-25

Hunter®



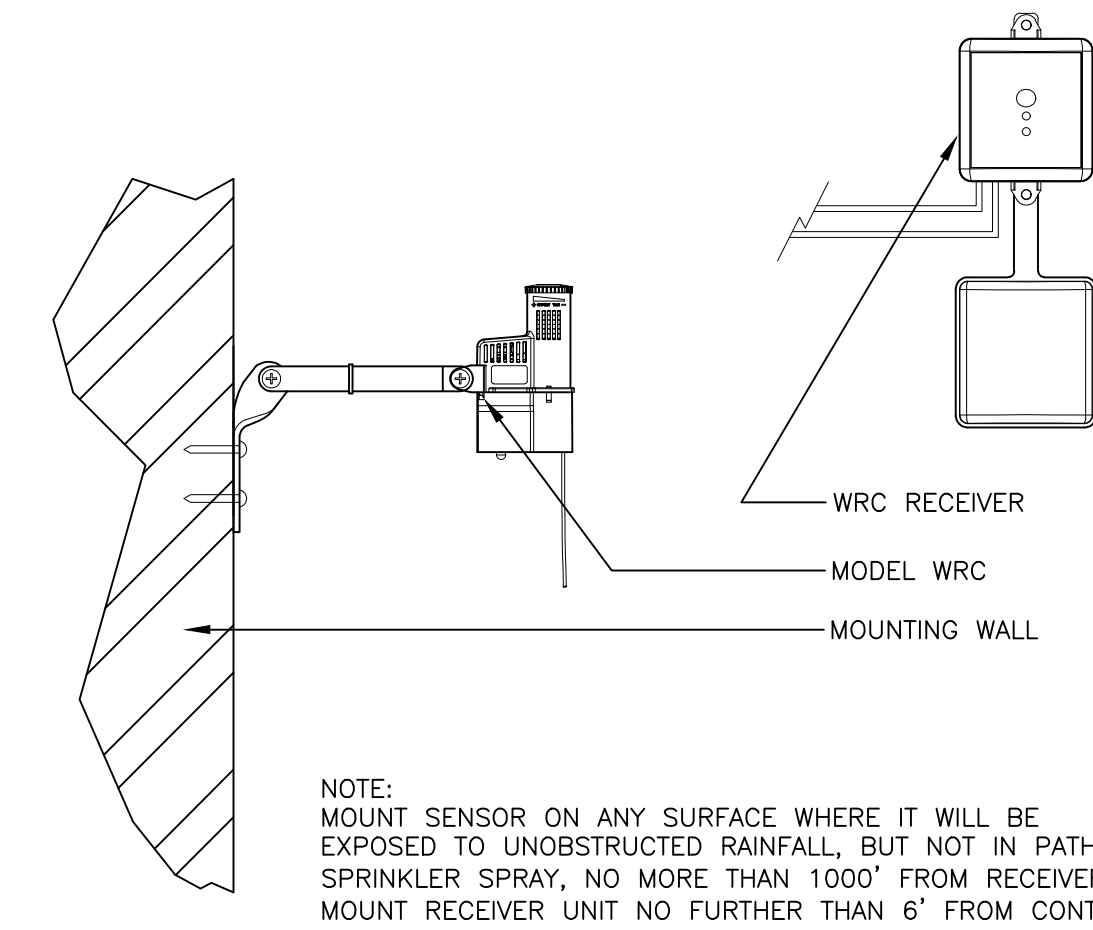
2 PROS-04 SPRAY HEAD WITH PRO-FLEX TUBING
3" = 1'-0" FX-IR-HUNT-SPRA-20

Hunter®



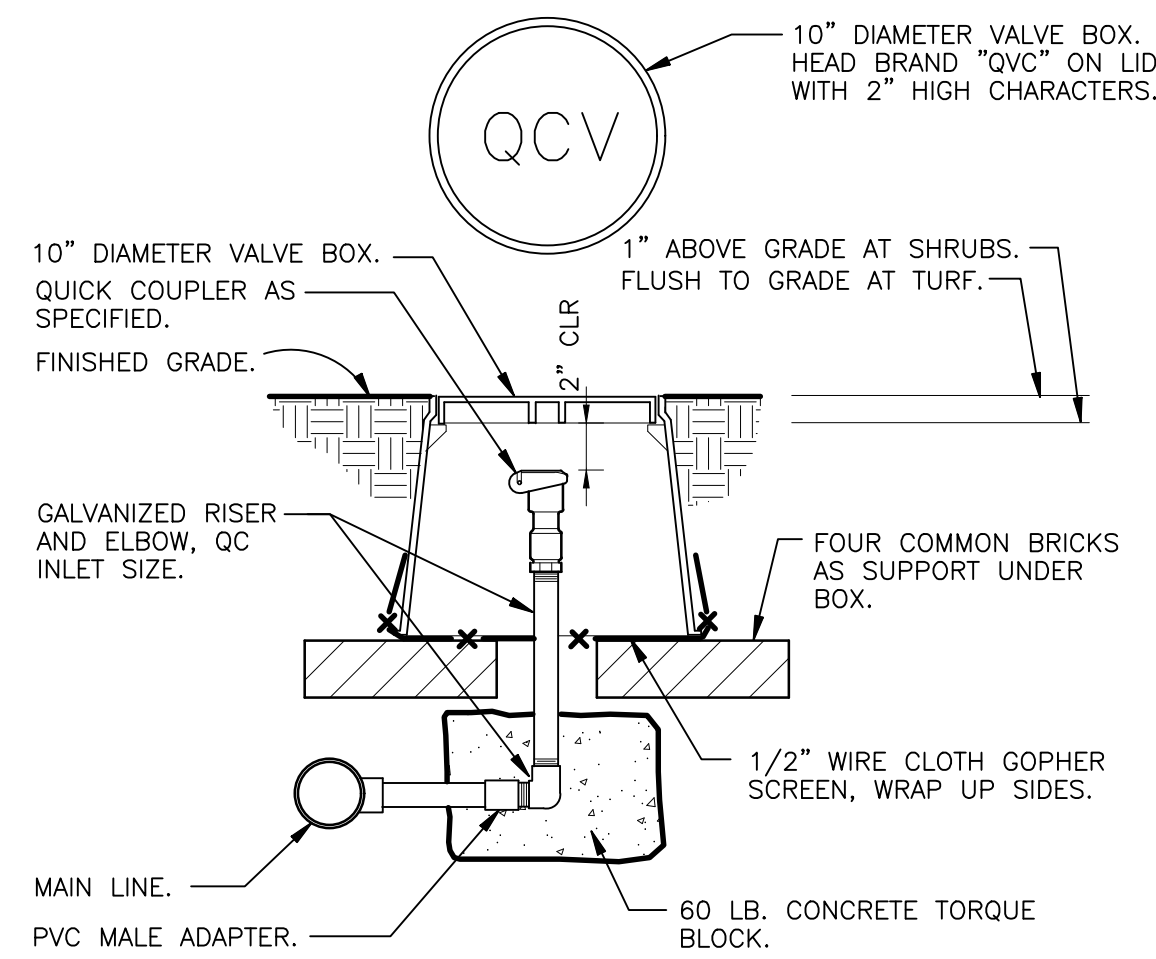
3 PGV GLOBE VALVE
1" = 1'-0" FX-IR-HUNT-VALV-11

Hunter®

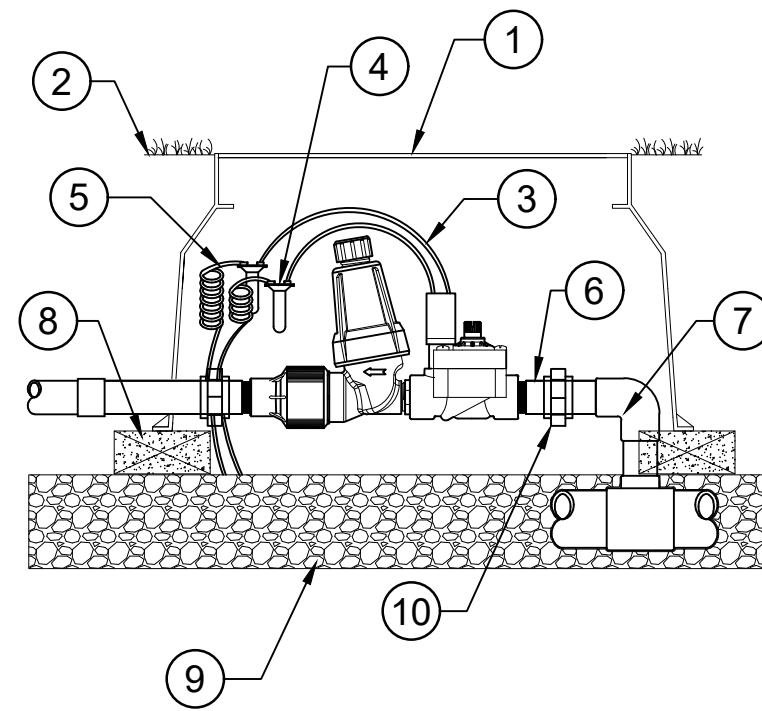


4 WIRELESS RAIN-CLIK
3" = 1'-0" FX-IR-HUNT-SENS-17

Hunter®

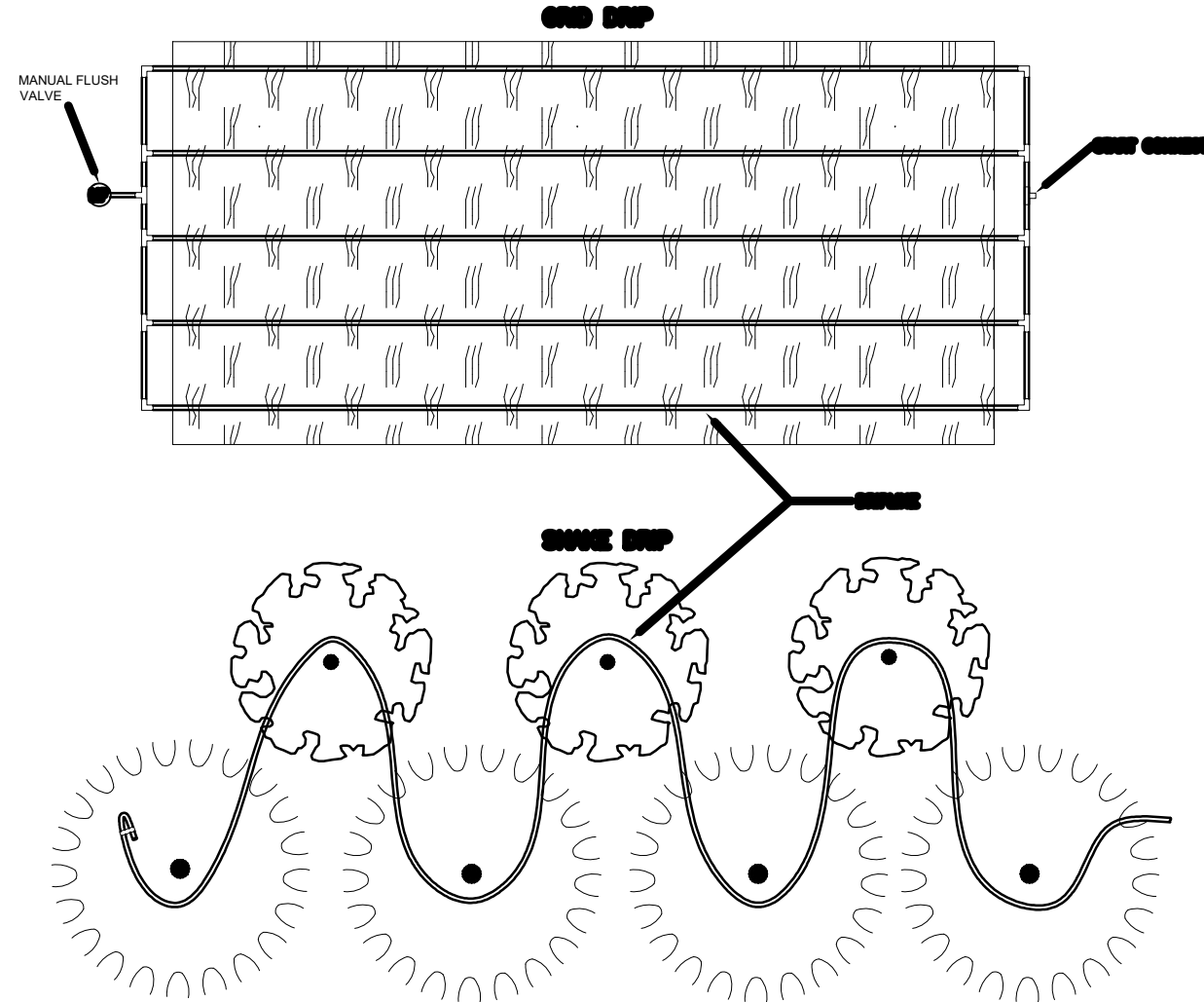


5 QUICK COUPLING VALVE IN BOX
1 1/2" = 1'-0" FX-IR-FX-QUIC-04



6 X CZ-101-PRF DRIP ZONE KIT
1 1/2" = 1'-0" FX-IR-HUNT-DRIP-07

- 1 STANDARD VALVE BOX
- 2 FINISH GRADE
- 3 DRIP ZONE KIT: MODEL X CZ-RBY FILTER, REGULATOR 25 OR 40 PSI
- 4 WATERPROOF CONNECTORS (2)
- 5 18-24" COILED WIRE
- 6 SCH 80 T.O.E. NIPPLE
- 7 MAIN LINE PIPE & FITTINGS
- 8 BRICK SUPPORTS (4)
- 9 3/4" MINUS WASHED GRAVEL
- 10 PVC SLIP UNIONS



7 TYPICAL DRIP TUBING LAYOUT
NTS

SiteOne
Project Services

1-800-347-4272
<http://www.projectsolutions.siteone.com>

650 Stephenson Highway
Troy, Michigan 48063
Phone 248.588.2100
Fax 248.588.3528
www.Siteone.com
800.347.4272

Project Name:
BIGGBY COFFEE ROCHESTER
ROCHESTER HILLS, MI, 48307

Customer Name:

Design Date: 07/23/21
Drawn By: SW
Checked By: C. GRAHAM

REVISIONS

Description	Date
▲	
▲	
▲	
▲	
▲	
▲	

Drawing Title:
IRRIGATION DETAILS

Drawing Scale: 1" = 20'

Project Services Number: 260019

Sheet Number:

IR-2