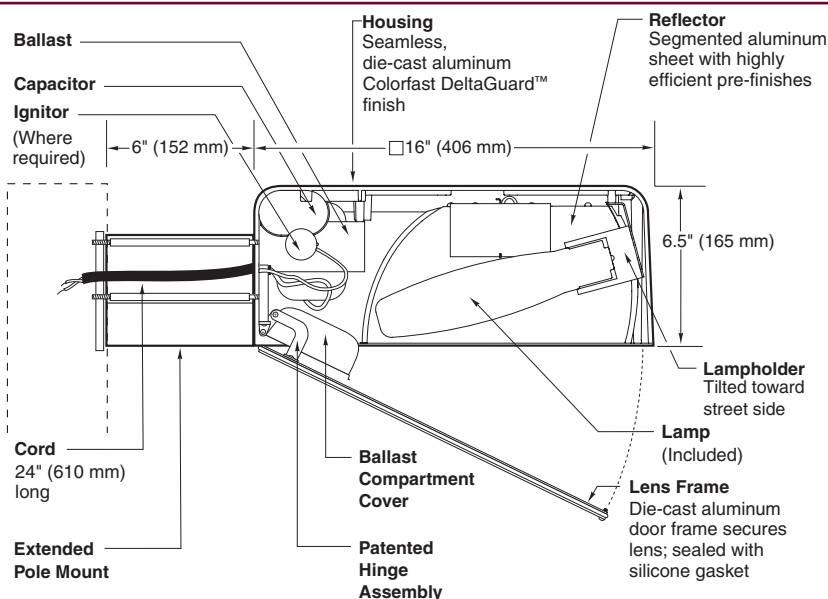


16" (406 mm) PARKING/ROADWAY LIGHT

PR2-16
SERIES

SPEC #	WATTAGE	CATALOG #
PULSE START METAL HALIDE		
	200W PSMH	PR2620-(a)(b)
	250W PSMH	PR2625-(a)(b)
	320W PSMH	PR2632-(a)(b)
	350W PSMH	PR2635-(a)(b)
	400W PSMH	PR2640-(a)(b)
METAL HALIDE		
	175W MH	PR2417-(a)(b)
	250W MH	PR2425-(a)(b)
	400W MH	PR2440-(a)(b)
HIGH PRESSURE SODIUM		
	250W HPS	PR2525-(a)(b)
	400W HPS	PR2540-(a)(b)

Specify (a) Voltage & (b) Options.

(a) VOLTAGE SUFFIX KEY	
M	120/208/240/277V (Standard)
T	120/277/347V (Canada Only) (Standard)
1	120V
2	277V
27	277V Reactor (PSMH Only)
3	208V
4	240V
5	480V
6	347V (Canada Only)

For voltage availability outside the US and Canada, see Bulletin TD-9 or contact your Ruud Lighting authorized International Distributor.

(b) OPTIONS (factory-installed)	
-(a)F	Fusing
-(a)P	Button Photocell
-5P	External Photocell (for 480V)
Q	Quartz Standby (includes 100W quartz lamp) (N/A on 277V Reactor)

Specify (a) Single Voltage — See Voltage Suffix Key

GENERAL DESCRIPTION

Parking lot and roadway luminaire for HID lamp, totally enclosed. Supplied with IES Type III optical system. Housing is seamless, die-cast aluminum. Mounting consists of a 1.8" (44 mm) wide by 4.5" (114 mm) high by 6" (152 mm) long extruded aluminum arm. The arm is held in place with two 3/8" (9 mm) mounting rods fastened to a steel backing plate inside the pole, and by two nuts inside the fixture housing. Mounting rods are provided with sealing washers to prevent water leakage. Lens assembly consists of rigid aluminum frame and high-impact, clear-tempered glass.

ELECTRICAL

Fixture includes clear, mogul-base lamp. Pulse-rated porcelain enclosed, 4kv-rated screw-shell-type lampholder with spring-loaded center contact. Lamp ignitor included where required. All ballast assemblies are high-power factor and use the following circuit type:

Reactor (277V PSMH)
200 – 400W PSMH

CWA — Constant Wattage Autotransformer
200 – 400W PSMH; 175 – 400W MH;
250 – 400W HPS

LABELS

ANSI lamp wattage label supplied, visible during relamping. UL Listed in US and Canada for wet locations and enclosure classified IP65 per IEC 529 and IEC 598.

FINISH

Exclusive DeltaGuard® finish features an E-coat epoxy primer with medium bronze ultra-durable powder topcoat, providing excellent resistance to corrosion, ultraviolet degradation and abrasion. The finish is covered by our seven-year limited warranty.

PATENTS

US 4,689,729

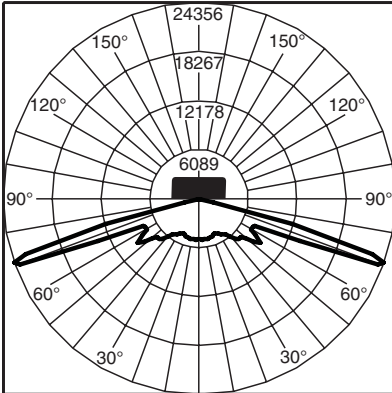
ACCESSORIES

FWG-16 Wire Guard
SBL-16 Backlight Shield

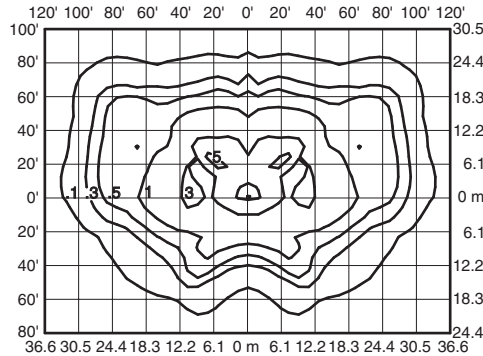
EPA RATING

EPA 0.95 for single fixture with 0° tilt (Consult factory for EPA rating on multiple units).

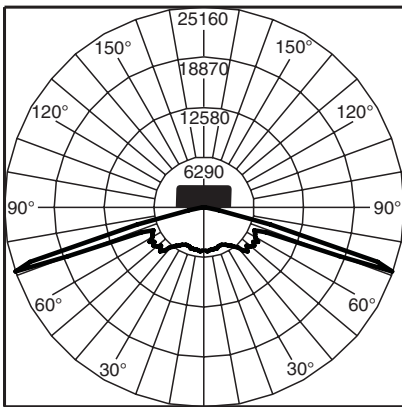
Isofootcandle plots show initial footcandles at grade. (Footcandles ÷ 0.0929 = Lux)



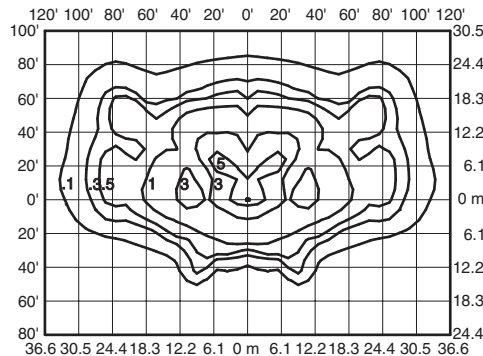
**Independent Testing Laboratories, Inc.
Certified Test Report No. ITL56089
Candlepower distribution curve of 400W
PSMH Parking/Roadway Light.**



**Isofootcandle plot of 400W PSMH
Parking/Roadway Light at 30' (9.1 m)
mounting height and 0° vertical tilt.
(Plan view)**



**Independent Testing Laboratories, Inc.
Certified Test Report No. ITL55639
Candlepower distribution curve of 400W PSMH
Parking/Roadway Light with Backlight Shield.**



**Isofootcandle plot of 400W PSMH
Parking/Roadway Light with Backlight
Shield at 30' (9.1 m) mounting height and
0° vertical tilt.
(Plan view)**