



DOAS Equipment Screen Assembly

This guide will provide step by step instructions to install the optional equipment screen on the Paragon DOAS unit.

Written By: Alan Givens



INTRODUCTION

Information

This guide will provide step by step instructions to install the optional equipment screen on the Paragon DOAS unit.

Key Points

- There are multiple configuration options available that may cause slight differences however the general procedure is the same.
- Keep aesthetics in mind during the installation to assure that the final product looks professionally installed and complete.
- Ensure, throughout the installation, all parts are being installed and secured level.
- The equipment screen assembly is not Miami Dade code rated.
- If unit is not installed with an ERV, mount support braces directly to DOAS end rails.

Safety

- Appropriate PPE (personal protective equipment) should be worn when servicing this unit.
- Utilize lockout/tagout procedures when applicable.
- Exposed moving parts can cause severe injury.

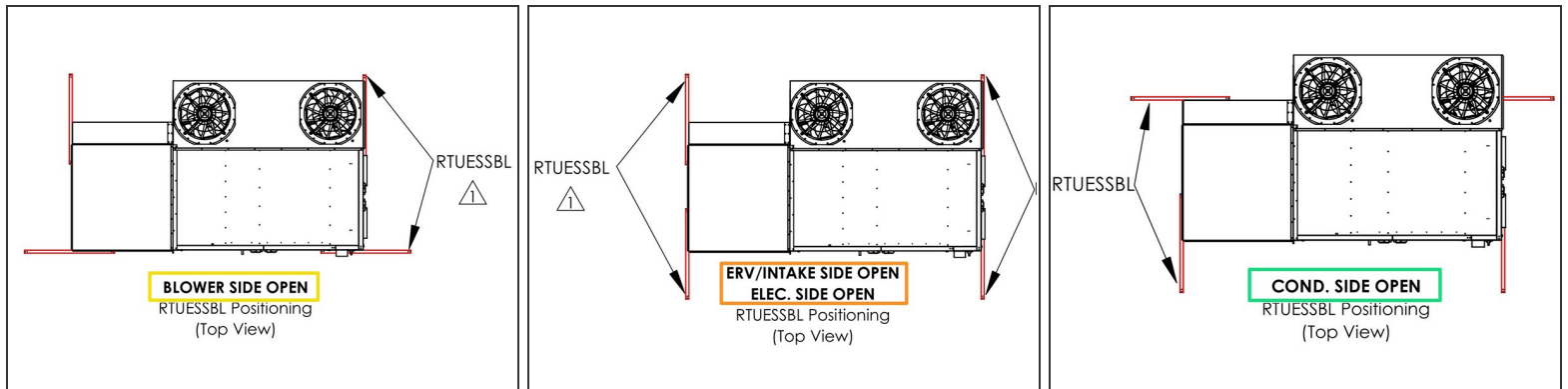
TOOLS:

- [1/4" Hex Impact Driver](#) (1)
- [3/8" Hex Nut Driver](#) (1)
- [Caulk Gun - Manual](#) (1)
- [Level](#) (1)
- [Step ladder](#) (1)
- [Tape Measure](#) (1)

PARTS:

- [Sil-Bond RTV 4500 \(Aluminum Silicone\)](#) (1)
- [1/4"-14 x 1-1/4" Self-Drilling Screw w/ Rubber Washer](#) (200)

Step 1 — Positioning of Long Support Braces



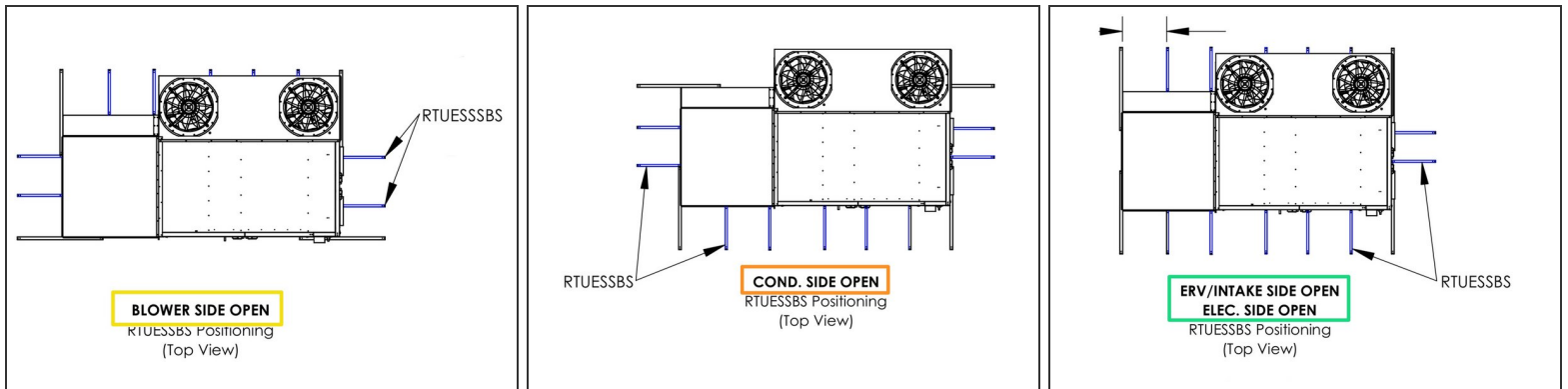
- Position long support brace (RTUESSBL) in the desired configuration as shown.
- Blower side open.
- Intake side open.
- Condenser side open.

Step 2 — Install Long Support Braces



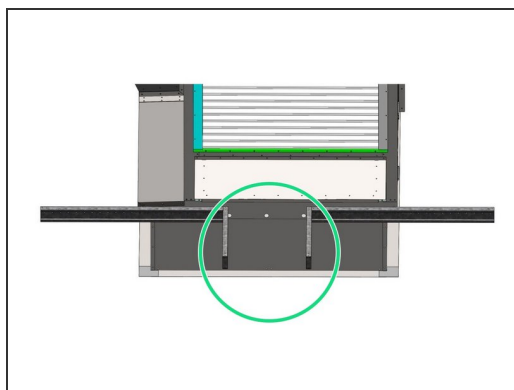
- Ensure all RTUESSBL are aligned flush with the bottom of unit base rail and level.
 - Position the RTUESSBL so that it extends 24.5" out from the end of the unit base rail.
 - Secure RTUESSBL to end rail using 1/4-14x1 1/4" self tapping screws with washer (A0005676).
- ⓘ *Ensure every available mounting hole is fastened. (minimum 3 holes).*

Step 3 — Positioning of short support braces



- Position short support brace (RTUESSBS) in the desired configuration as shown.
- Blower side open.
- Condenser side open.
- Intake side open.

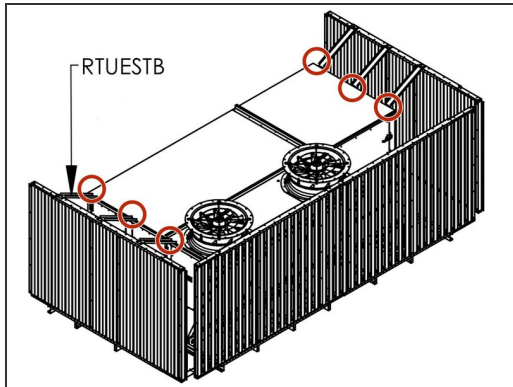
Step 4 — Install short support braces



EQUIPMENT SCREEN ASSEMBLY - DOAS W/O ERV BOM									
		Revised By		Revised By		Revised By		Date	
		5		5		5		6/26/19	
Equipment Screen Assembly									
#	Description	Part Number	Qty	Part Number	Qty	Part Number	Qty	Part Number	Qty
1	Screen Section 40"	RTU12540	7	RTU12540	7	RTU12540	7	RTU12540	7
2	Screen Section 18"	RTU12518	N/A	RTU12518	N/A	RTU12518	N/A	RTU12518	N/A
3	Tab Brace	RTUESSB	6	RTUESSB	7	RTUESSB	10	RTUESSB	7
4	Support Brace - Short	RTUESSBS	7	RTUESSBS	8	RTUESSBS	7	RTUESSBS	8
5	Support Brace - Long	RTUESSBL	4	RTUESSBL	4	RTUESSBL	4	RTUESSBL	4
6	Corner Cap	RTUESKNC	4	RTUESKNC	4	RTUESKNC	4	RTUESKNC	4
7	Corner	RTUESKCN	2	RTUESKCN	2	RTUESKCN	2	RTUESKCN	2
8	Guide Rail 7 1/2"	RTUESGR71	6	RTUESGR71	6	RTUESGR71	6	RTUESGR71	6
9	Flange Cap	RTUESFC	2	RTUESFC	2	RTUESFC	2	RTUESFC	2
10	Adjustable Leg	Adjust A Leg 60"	4	Adjust A Leg 60"	4	Adjust A Leg 60"	4	Adjust A Leg 60"	4
Equipment Screen Assembly									
#	Description	Part Number	Qty	Part Number	Qty	Part Number	Qty	Part Number	Qty
1	Screen Section 40"	RTU12540	7	RTU12540	7	RTU12540	7	RTU12540	7
2	Screen Section 18"	RTU12518	2	RTU12518	1	RTU12518	2	RTU12518	1
3	Tab Brace	RTUESSB	6	RTUESSB	8	RTUESSB	11	RTUESSB	8
4	Support Brace - Short	RTUESSBS	7	RTUESSBS	8	RTUESSBS	7	RTUESSBS	8
5	Support Brace - Long	RTUESSBL	4	RTUESSBL	4	RTUESSBL	4	RTUESSBL	4
6	Corner Cap	RTUESKNC	4	RTUESKNC	4	RTUESKNC	4	RTUESKNC	4
7	Corner	RTUESKCN	2	RTUESKCN	2	RTUESKCN	2	RTUESKCN	2
8	Guide Rail 7 1/2"	RTUESGR71	6	RTUESGR71	6	RTUESGR71	6	RTUESGR71	6
9	Flange Cap	RTUESFC	2	RTUESFC	2	RTUESFC	2	RTUESFC	2
10	Adjustable Leg	Adjust A Leg 60"	4	Adjust A Leg 60"	4	Adjust A Leg 60"	4	Adjust A Leg 60"	4
Equipment Screen Assembly									
#	Description	Part Number	Qty	Part Number	Qty	Part Number	Qty	Part Number	Qty
1	Screen Section 40"	RTU12540	10	RTU12540	11	RTU12540	11	RTU12540	10
2	Screen Section 18"	RTU12518	N/A	RTU12518	N/A	RTU12518	N/A	RTU12518	N/A
3	Tab Brace	RTUESSB	9	RTUESSB	12	RTUESSB	15	RTUESSB	9
4	Support Brace - Short	RTUESSBS	10	RTUESSBS	12	RTUESSBS	15	RTUESSBS	10
5	Support Brace - Long	RTUESSBL	4	RTUESSBL	4	RTUESSBL	4	RTUESSBL	4
6	Corner Cap	RTUESKNC	4	RTUESKNC	4	RTUESKNC	4	RTUESKNC	4
7	Corner	RTUESKCN	2	RTUESKCN	2	RTUESKCN	2	RTUESKCN	2
8	Guide Rail 7 1/2"	RTUESGR71	N/A	RTUESGR71	N/A	RTUESGR71	N/A	RTUESGR71	N/A
9	Flange Cap	RTUESFC	2	RTUESFC	2	RTUESFC	2	RTUESFC	2
10	Adjustable Leg	Adjust A Leg 60"	4	Adjust A Leg 60"	4	Adjust A Leg 60"	4	Adjust A Leg 60"	4
Not Shown		Support Brace - Corner	RTUESSBC	5	RTUESSBC	N/A	RTUESSBC	5	RTUESSBC
Not Shown		Guide Rail 100"	RTUESGR100	6	RTUESGR100	6	RTUESGR100	6	RTUESGR100

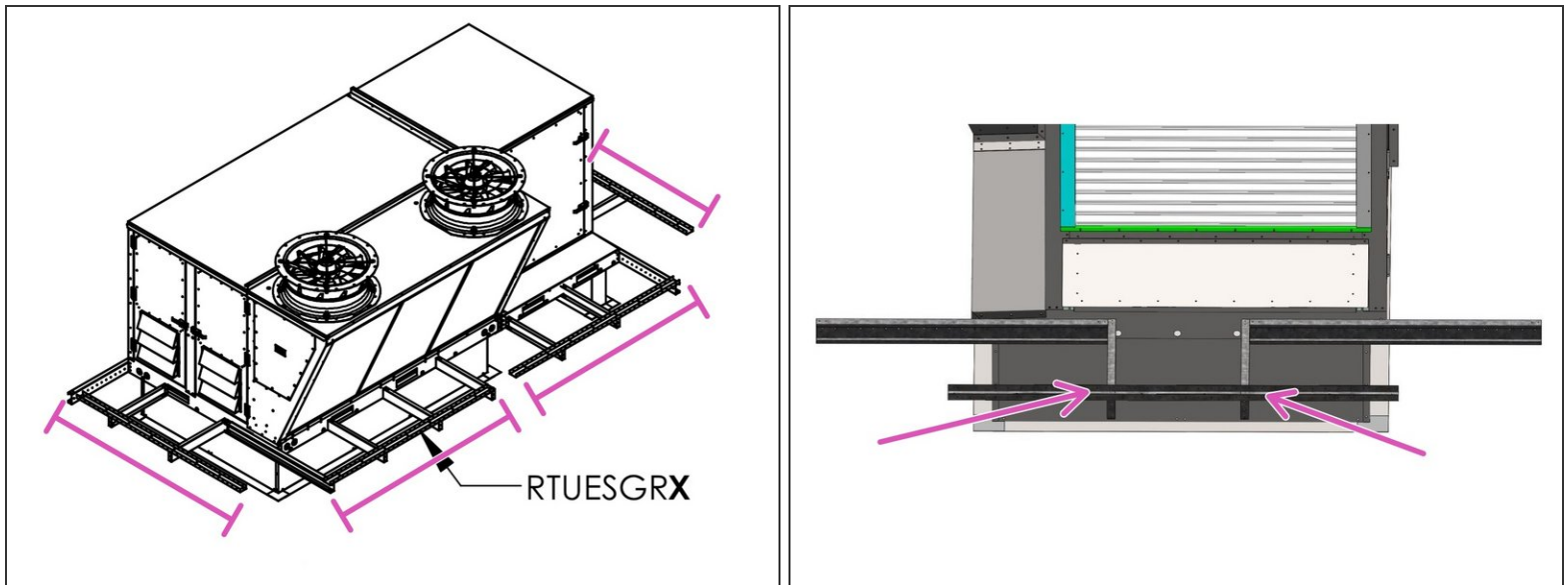
- Ensure all short support braces (RTUESSBS) are aligned flush with the bottom of unit base rail and level as shown.
- Evenly space the short support braces (RTUESSBS) in between the long support braces (RTUESSBL) previously installed on the ends. The short support braces will be spaced approximately 20" apart.
- ⓘ Quantities of short support braces (RTUESSBS) installed between the long support braces (RTUESSBL) will vary with unit size and screen configuration. See chart with quantities above.
- Secure short support braces to unit end rail using 1/4-14x1 1/4" self tapping screws with washer (A0005676).

Step 5 — Install top braces



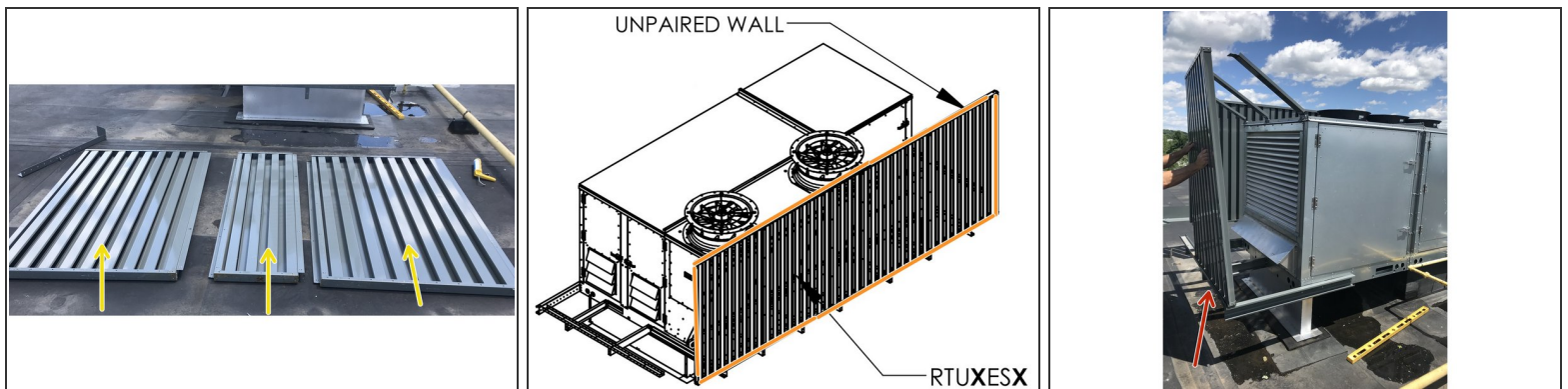
- Mark out location for top braces (RTUESTB) on unit lid so that each wall panel will be supported by at least one top brace.
- Install top braces (RTUESTB) using 1/4-14x1 1/4" self tapping screws with washer (A0005676), secure RTUESTB to unit lid.
 - ⓘ *The top braces on the unit ends will need to be installed about 2" to 3" in from the corner to avoid the rivets that secure the unit lid.*
- Apply silicone sealant to all penetrations made to the DOAS metal surfaces to prevent water infiltration.

Step 6 — Position bottom guide rails



- Position guide rails (RTUESGRX) on installed support braces.
- ⓘ *Do not secure guide rails to support braces yet as they may have to shift left or right for correct positioning of screen walls.*

Step 7 — Install screen sections (Step 1 of 3)



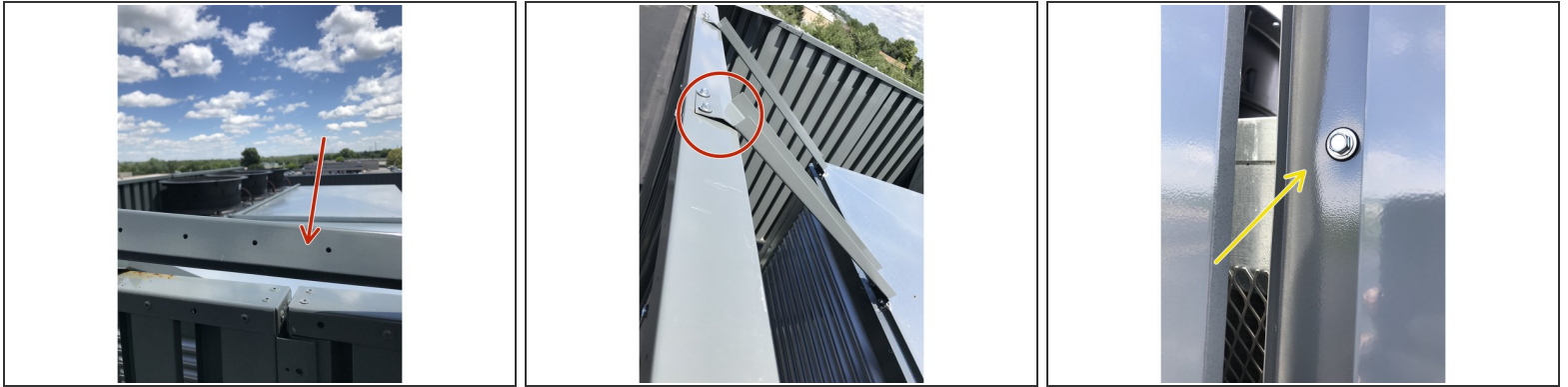
- Layout screen sections needed for each side in the order they will be installed.
- Start by installing the unpaired wall screen sections first.
- ⓘ *Ensure unpaired wall is centered to the DOAS unit.*
- Set screen section in place by inserting the bottom into the bottom guide rail .

Step 8 — Install screen sections (Step 2 of 3)



- Use the previously installed top brace (RTUESTB) to temporarily hold the screen section in place with a 1/4-14x1 1/4" self tapping screw with washer (A0005676).
- Continue installing remaining screen sections for the unpaired wall. Align RTUXESX pilot holes and secure using 1/4-14x1 1/4" self tapping screws with washer (A0005676).
- Secure screen sections (RTUXESX) sections to bottom guide rails (RTUESGRX) using 1/4-14x1 1/4" self tapping screws with washer (A0005676). Mount hardware, from bottom, through support brace pilot holes.

Step 9 — Install screen sections (Step 3 of 3)



- Install top guide rails RTUESGRX and top braces (RTUESTB) atop RTUXESX. Using 1/4-14x1 1/4" self tapping screws with washer (A0005676), secure RTUESTB to RTUXESX by sandwiching RTUESGRX. Secure RTUESTB to unit lid.
- The screen sections (RTUXESX) will be affixed directly to the condenser cabinet lid when the condenser side is hidden.
- ⓘ *Repeat step 7,8,9 for the two remaining sides. Align perpendicular screen walls (RTUXESX) flush to allow for corner assembly installation.*
- ⓘ *To align these walls the installer will have to remove the hardware that was temporarily securing the RTUXESX in step 8.*

Step 10 — Install corners



- Install and secure bottom corner cap (RTUESCRNC) using 1/4-14x1 1/4" self tapping screws with washer (A0005676).
 - Install corner (RTUXESCRN). RTUXESCRN to RTUXESX using 1/4-14x1 1/4" self tapping screws with washer (A0005676). Secure using center pilot hole on corner.
 - Install top corner cap (RTUESCRNC). Ensure RTUESCRNC lies level atop RTUXESX. Secure RTUESCRNC over RTUXESCRN to RTUXESX using 1/4-14x1 1/4" self tapping screws with washer (A0005676).
- ⓘ *Secure top and bottom corner caps as shown above.*

Step 11 — Install adjustable legs



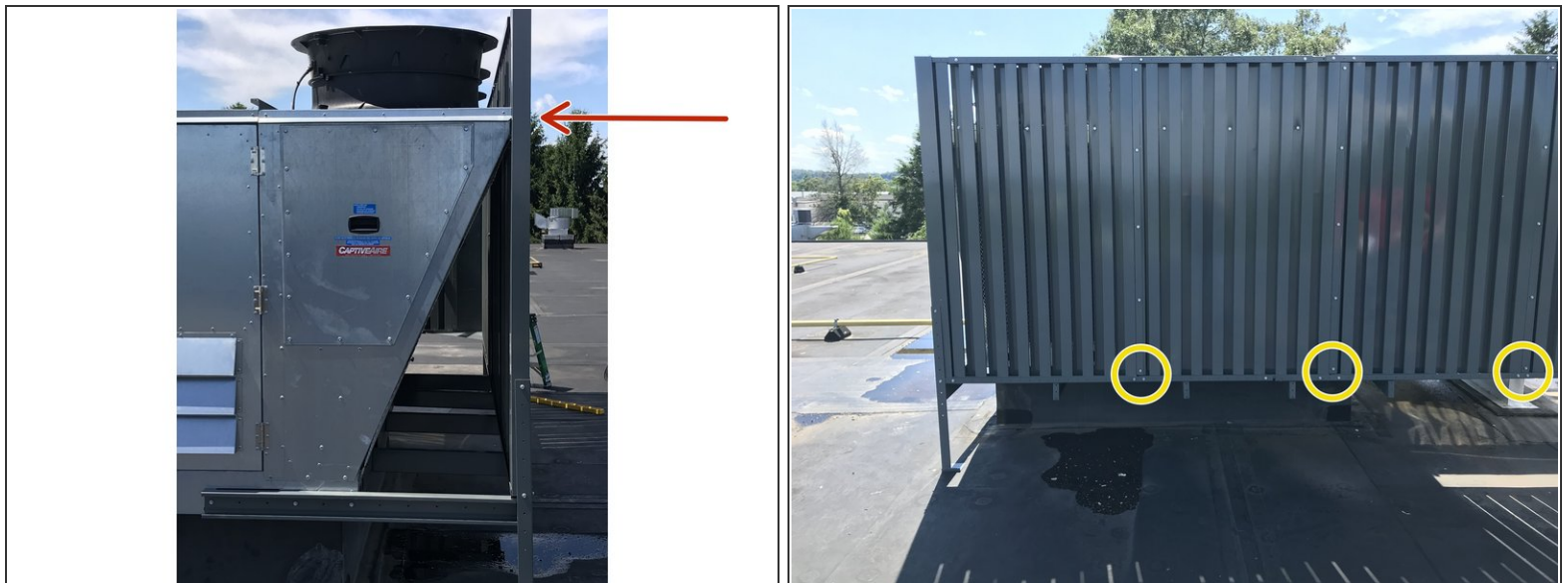
- Using a bubble level, ensure the screen panels (RTUXESX) are flush and plumb.
- Install adjustable legs (ADJUST-A-LEG 60") to corner assembly.
- Confirm the top and bottom holes of the adjustable leg are fastened.

Step 12 — Install Flange Caps



- Install flange caps (RTUXESFC) to any open RTUXESX ends.
- Secure flange caps using 1/4-14x1 1/4" self tapping screws with washer (A0005676).
- Repeating step 11, install (ADJUST-A-LEG 60") to the RTUXESFC.

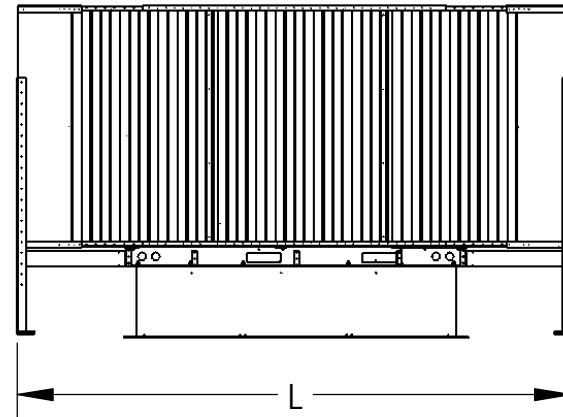
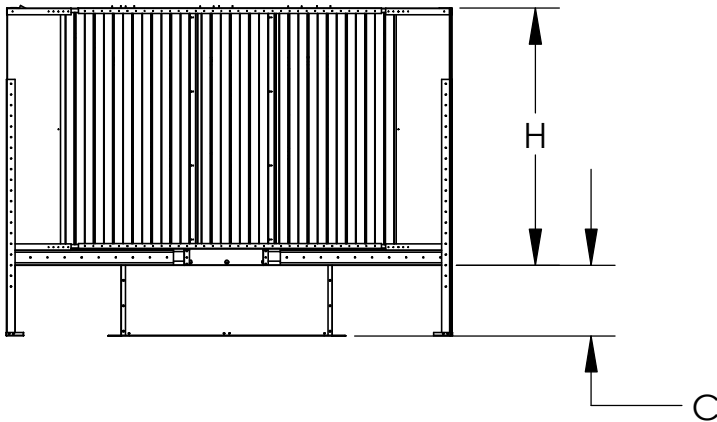
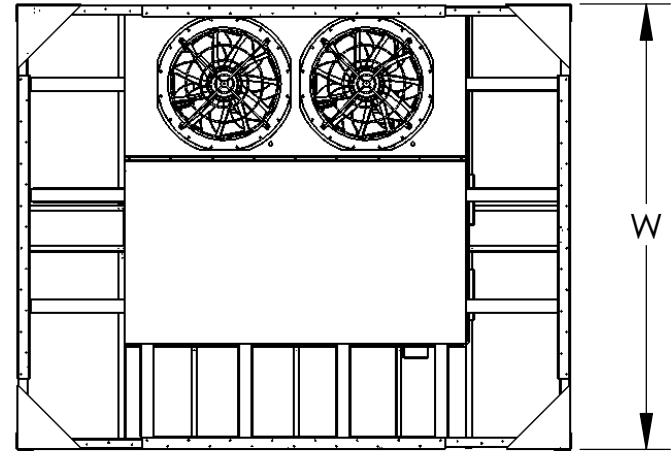
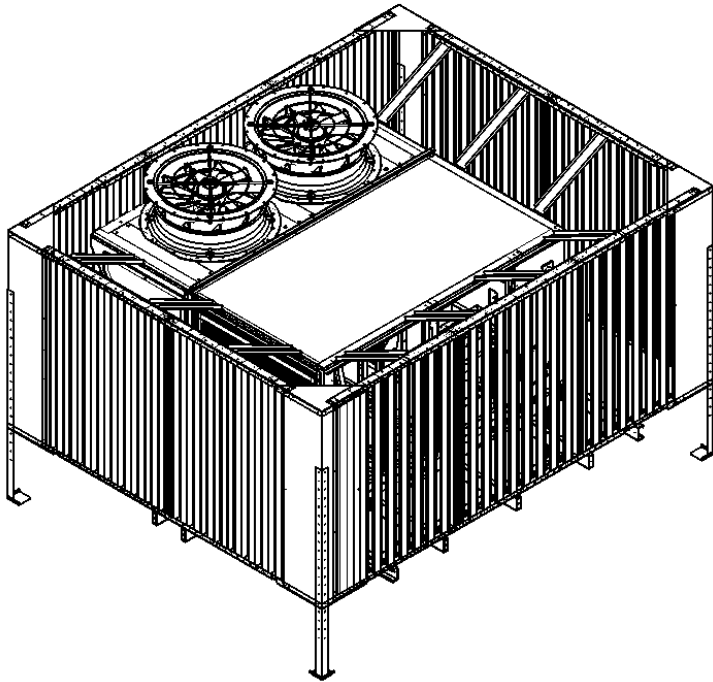
Step 13 — Installation review



- Ensure all parts are secured level and plumb.
- Ensure equipment screen assembly is secure and does not move freely when installed.
- Ensure that the equipment screen fasteners are all evenly spaced for each panel.

ROOFTOP UNIT EQUIPMENT SCREEN ASSEMBLY

RTUESA
REV.#0 5/30/19



RTU EQUIPMENT SCREEN ASSEMBLY SPECIFICATIONS*

SIZE	TONNAGE	Weight - 2 long sides, 1 short side (LBS)	Weight - 2 short sides, 1 long side (LBS)	DIM "H"	DIM "L"	DIM "W"	DIM "C"
2	8,10	413	379 1/2	56 3/4	128 1/4	104 1/4	(CURB HEIGHT - 3 1/2)
3	12.5,15,20	592	518	64 3/4	146	114 1/2	(CURB HEIGHT - 4)
4	22,25,30	666 1/2	638 1/2	80	185	136	(CURB HEIGHT - 4 1/2)

NOTES:

1. Equipment screen assembly fully mounted on roof to unit
2. White epoxy coating standard.
3. Full unit dimensions available by request.