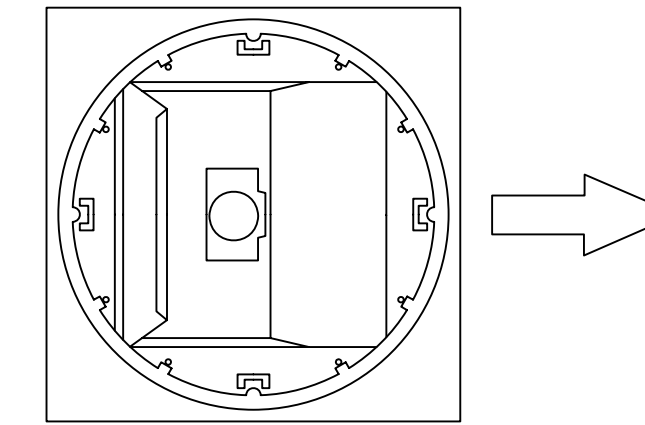
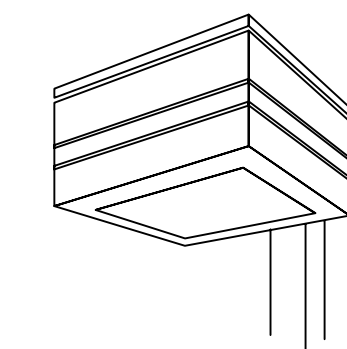


IMPORTANT

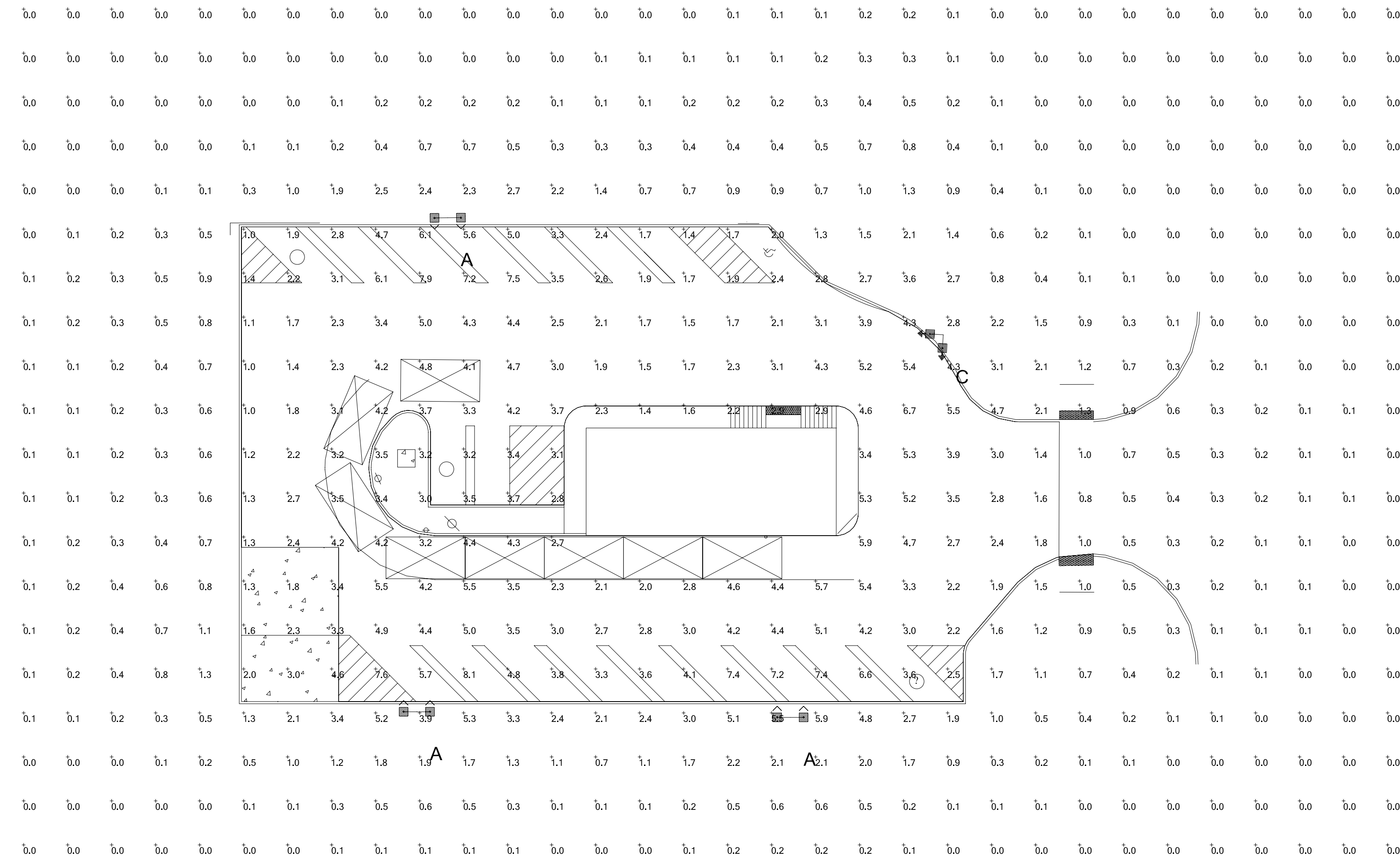


ROTATED REFLECTOR

NOTE: Reflector MUST be field rotated by the CONTRACTOR to correspond with the direction indicated by the arrows on this layout.



**GREENBRIAR
FLAT LENS
IESNA FULL CUTOFF**



Calculation Summary							
Label	CalcType	Units	Avg	Max	Min	Avg/Min	Max/Min
ALL CALC POINTS	Illuminance	Fc	1.28	8.1	0.0	N.A.	N.A.
PARKING SUMMARY	Illuminance	Fc	3.45	8.1	0.8	4.31	10.13

Luminaire Schedule								
Symbol	Qty	Label	Arrangement	Description	LLF	Lumens/Lamp	Arr. Lum. Lumens	Arr. Watts
	1	C	2 @ 90 DEGREES	GFM-FP-320-PSMV-F D90 ON 24' POLE + 2' BASE	0.720	34000	30334	736
	3	A	ROTATED 2 IN 90	GFM-FP-320-PSMV-F D180 2RTD ON 24' POLE + 2' BASE	0.720	34000	30334	736

Total Project Watts
Total Watts = 2944



TIM HORTONS
ROCHESTER RD
ROCHESTER HILLS, MI

SCALE: 1" = 20'
DATE: 5/29/12
BY: LLS

LO- 111472

SHEET 1 OF 1

Based on the information provided, all dimensions and luminaire locations shown represent recommended positions. The engineer and/or architect must determine applicability of the layout to existing or future field conditions.

This lighting pattern represents illumination levels calculated from laboratory data taken under controlled conditions utilizing current industry standard lamp ratings in accordance with Illuminating Engineering Society approved methods. Actual performance of any manufacturer's luminaire may vary due to variation in electrical voltage, tolerance in lamps and other variable field conditions. Calculations do not include obstructions such as buildings, curbs, landscaping, or any other architectural elements unless noted.