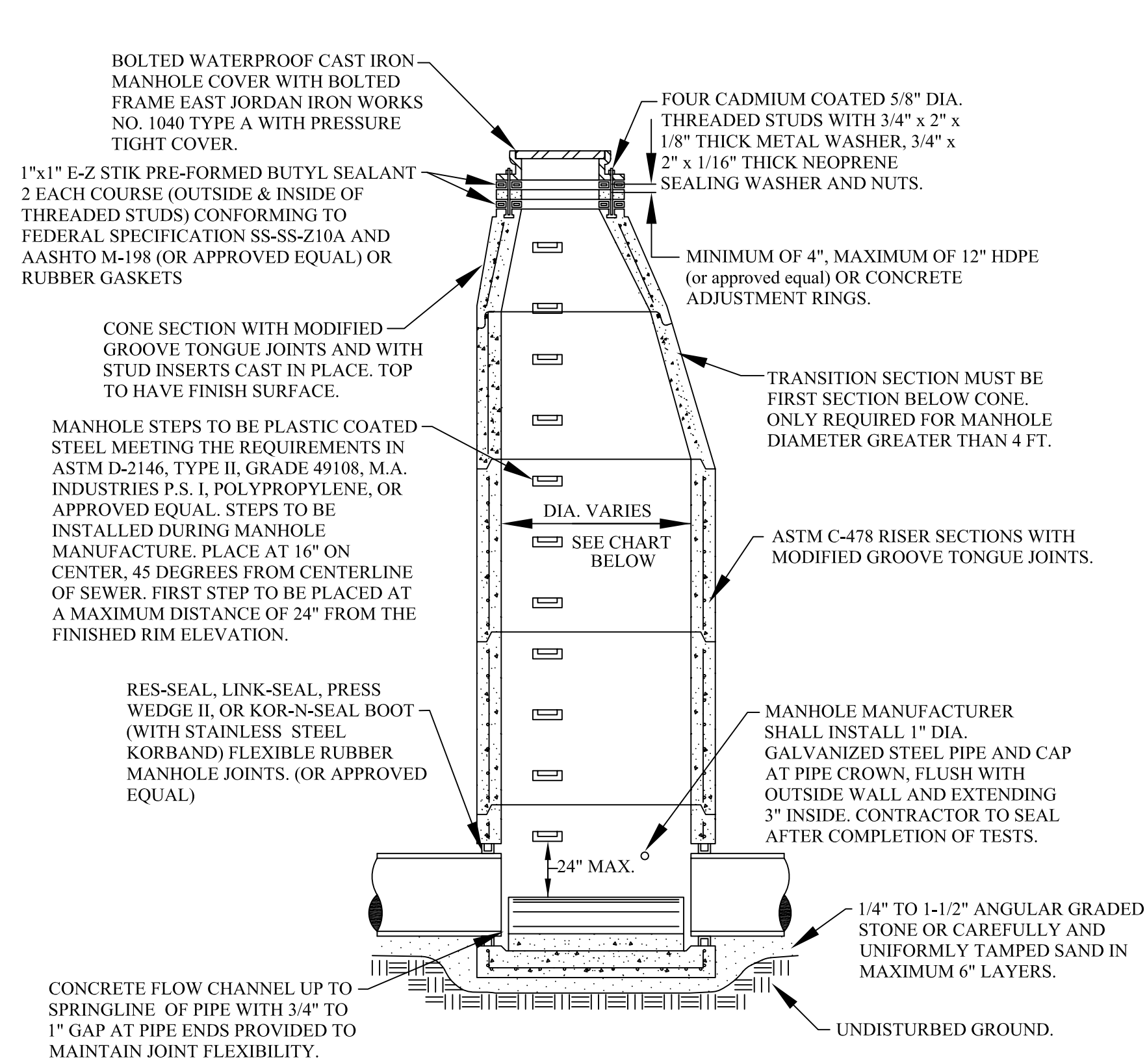


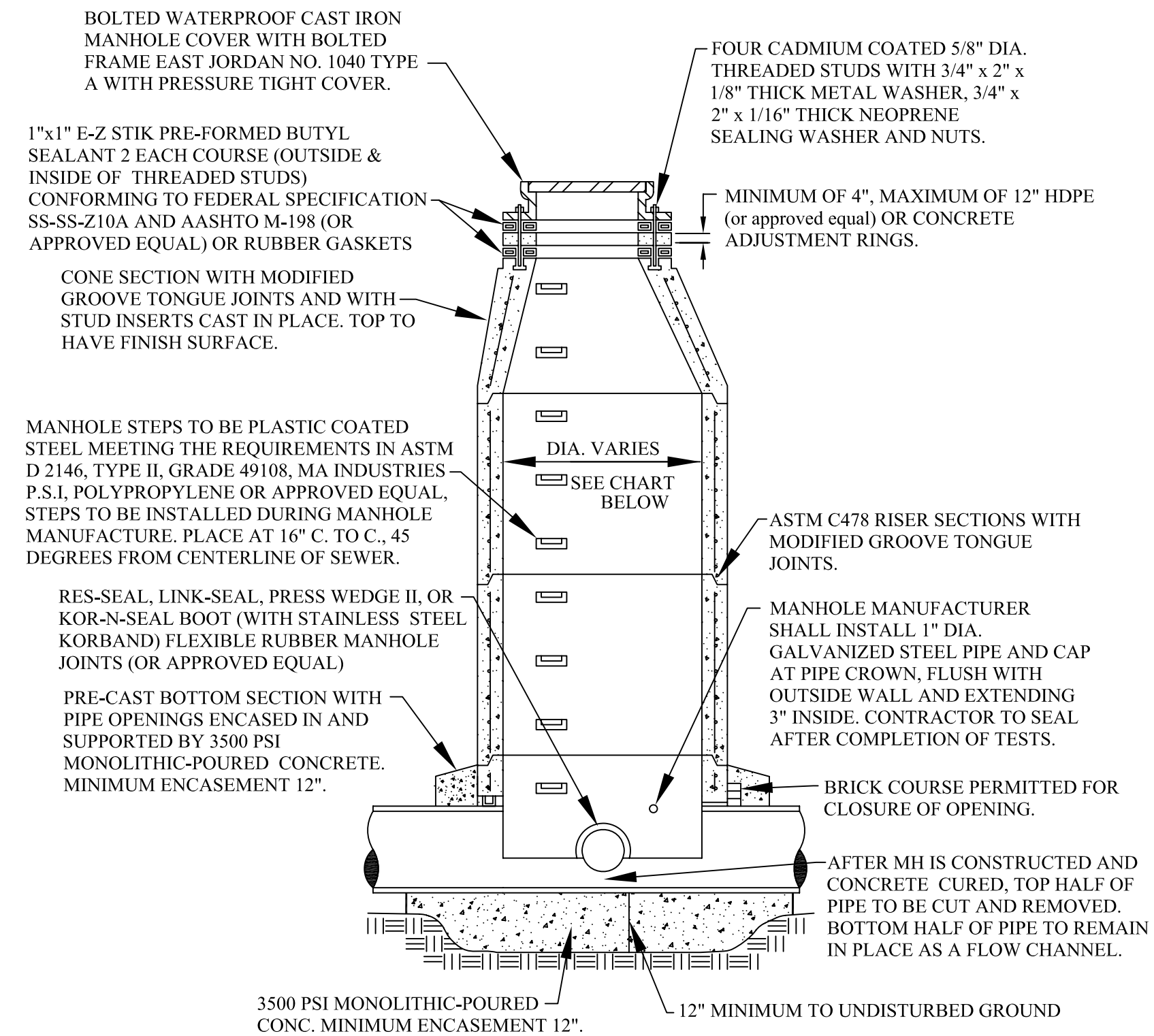
## SANITARY SEWER CONSTRUCTION NOTES

- ALL CONSTRUCTION SHALL CONFORM TO THE CURRENT STANDARDS AND SPECIFICATIONS OF THE CITY OF ROCHESTER HILLS AND THE OAKLAND COUNTY DRAIN COMMISSIONER (O.C.D.C.). ALL SANITARY SEWER CONSTRUCTION SHALL HAVE FULL-TIME INSPECTION SUPERVISED BY THE CITY OF ROCHESTER HILLS INSPECTION SERVICES.
- NO SEWER INSTALLATION SHALL HAVE AN INFILTRATION EXCEEDING 100 GALLONS PER INCH DIAMETER PER MILE OF PIPE IN A 24 HOUR PERIOD, AND NO SINGLE RUN OF SEWER BETWEEN MANHOLES SHALL EXCEED 100 GALLONS PER INCH DIAMETER PER MILE. AIR TESTS IN LIEU OF INFILTRATION TESTS SHALL BE AS SPECIFIED IN THE OAKLAND COUNTY DRAIN COMMISSIONER STANDARDS. PRELIMINARY-AIR TESTS ARE WITNESSED BY THE CITY AND FINAL AIR TESTS ARE WITNESSED BY BOTH THE CITY AND THE O.C.D.C. ONLY PIPE AND PIPE JOINTS APPROVED BY THE CITY MAY BE USED FOR SANITARY SEWER CONSTRUCTION.
- LOCATED IN THE FIRST MANHOLE UPSTREAM FROM THE POINT OF ALL CONNECTIONS TO AN EXISTING SEWER, OR EXTENSION, A TEMPORARY 12-INCH DEEP SUMP SHALL BE PROVIDED IN THE FIRST MANHOLE ABOVE THE CONNECTION WHICH WILL BE FILLED IN AFTER SUCCESSFUL COMPLETION OF ANY ACCEPTANCE TEST UP TO THE STANDARD FILLET PROVIDED FOR THE FLOW CHANNEL. A WATERTIGHT BULKHEAD SHALL BE PROVIDED ON THE DOWNSTREAM SIDE OF THE SUMP MANHOLE.
- AT ALL TIMES WHEN LAYING OF NEW PIPE IS NOT ACTUALLY IN PROGRESS, THE UPSTREAM OPEN END OF THE PIPE SHALL BE CLOSED BY TEMPORARY WATERTIGHT PLUGS OR BY OTHER APPROVED MEANS. IF WATER IS IN THE TRENCH WHEN WORK IS RESUMED, THE PLUG SHALL NOT BE REMOVED UNTIL THE DANGER OF WATER ENTERING THE PIPE HAS PASSED. ALL MAIN LINE PIPE SHALL BE LAID WITH A PIPE LASER BEAM FOR LINE AND GRADE. A TARGET MUST BE INSTALLED AT THE END OF THE PIPE BEING LAYED.
- ALL BUILDING LEADS AND RISERS SHALL BE SIX INCH SDR 23.5 PVC PIPE WITH CHEMICALLY FUSED JOINTS OR GASKETED JOINTS APPROVED BY CITY ENGINEER. BUILDING LEADS TO BE FURNISHED WITH REMOVABLE AIRTIGHT AND WATERTIGHT STOPPERS.
- ALL SEWER PIPE SHALL BE INSTALLED IN CLASS "B" BEDDING OR BETTER.
- ALL NEW MANHOLES SHALL HAVE CITY APPROVED FLEXIBLE, WATERTIGHT SEALS WHERE PIPES PASS THROUGH WALLS. MANHOLES SHALL BE OF PRE CAST SECTIONS WITH MODIFIED GROOVE TONGUE AND RUBBER GASKET TYPE JOINTS. PRE CAST MANHOLE CONE SECTIONS SHALL BE CITY APPROVED MODIFIED ECCENTRIC CONE TYPE. ALL MANHOLES SHALL BE PROVIDED WITH BOLTED, WATERTIGHT COVERS.
- AT ALL CONNECTIONS TO MANHOLES IN ALL SEWERS, OR EXTENSIONS, DROP CONNECTIONS WILL BE REQUIRED WHEN THE DIFFERENCE IN INVERT ELEVATIONS EXCEEDS 18 INCHES.
- GROUND WATER, STORM WATER, CONSTRUCTION WATER, DOWN SPOUT DRAINAGE OR WEEP TILE DRAINAGE SHALL NOT BE ALLOWED TO ENTER ANY SANITARY SEWER INSTALLATION.
- PRIOR TO ANY EXCAVATION, THE CONTRACTOR SHALL TELEPHONE MISS DIG THREE (3) DAYS IN ADVANCE (811) FOR THE LOCATION OF UNDERGROUND PIPELINE AND CABLE FACILITIES AND SHALL ALSO NOTIFY REPRESENTATIVES OF OTHER UTILITIES LOCATED IN THE VICINITY OF THE WORK.
- AN 18 INCH MINIMUM VERTICAL SEPARATION AND A 10 FOOT MINIMUM HORIZONTAL SEPARATION MUST BE MAINTAINED BETWEEN SANITARY SEWER AND ALL OTHER UTILITIES.
- AS A MEANS OF INSURING PROPER INSTALLATION OF THE SANITARY SEWER PIPE, THE CONTRACTOR SHALL VIDEO INSPECT, ACCORDING TO THE CITY OF ROCHESTER HILLS VIDEO INSPECTION STANDARDS, 100% OF THE SANITARY SEWER PIPE. THE CONTRACTOR SHALL PROVIDE 24 HOURS NOTICE TO THE OAKLAND COUNTY DRAIN COMMISSIONER OR THE CITY OF ROCHESTER HILLS PRIOR TO VIDEO INSPECTION. SO A REPRESENTATIVE MAY BE PRESENT. ROCHESTER HILLS WILL BE PROVIDED WITH A DIGITAL COPY OF THE VIDEO INSPECTION AND LOG IN ACCORDANCE WITH THE CITY OF ROCHESTER HILLS INSPECTION STANDARDS.



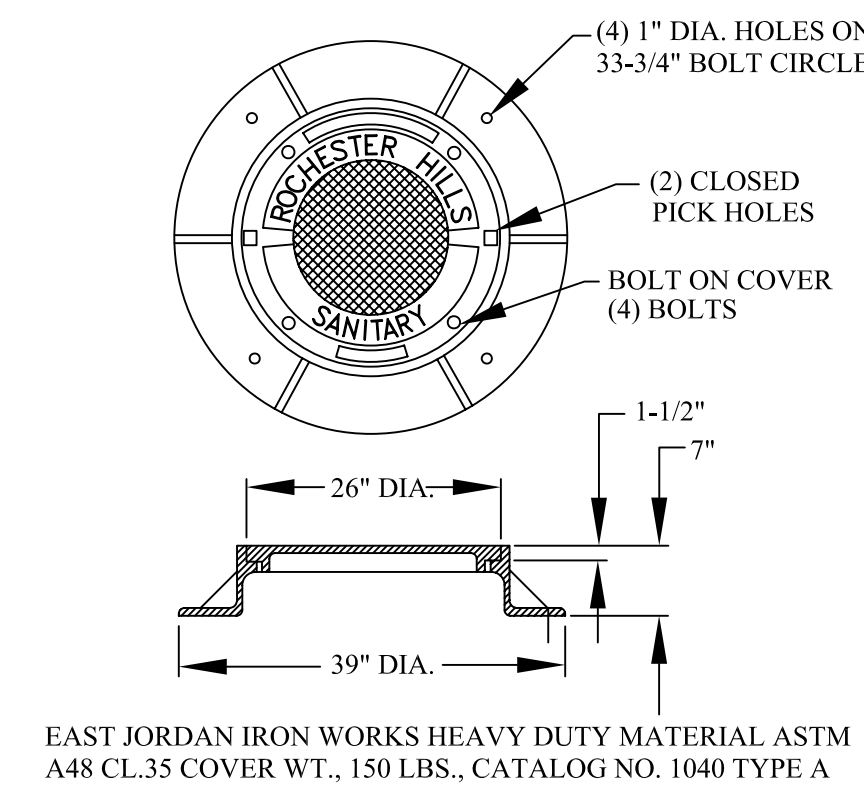
### STANDARD MANHOLE

MANHOLE SIZING CHART		
MANHOLE DIAMETER	MAX. PIPE SIZE FOR STRAIGHT THRU INST.	MAX. PIPE SIZE FOR RIGHT ANGLE INST.
4'	24"	18"
5'	36"	24"
6'	42"	36"
7'	60"	42"

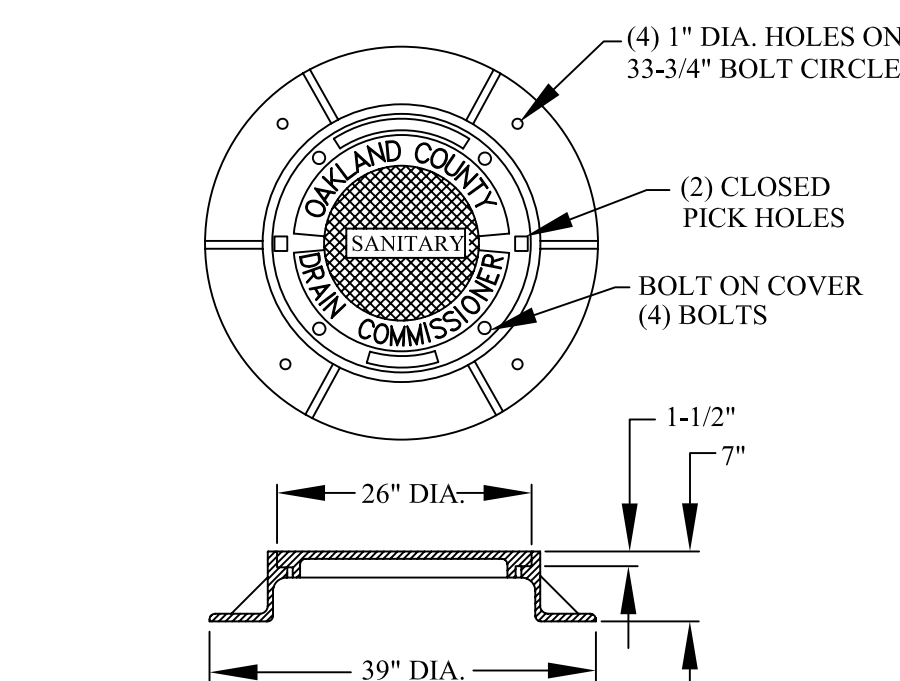


### MANHOLE CONSTRUCTED OVER EXISTING SEWER

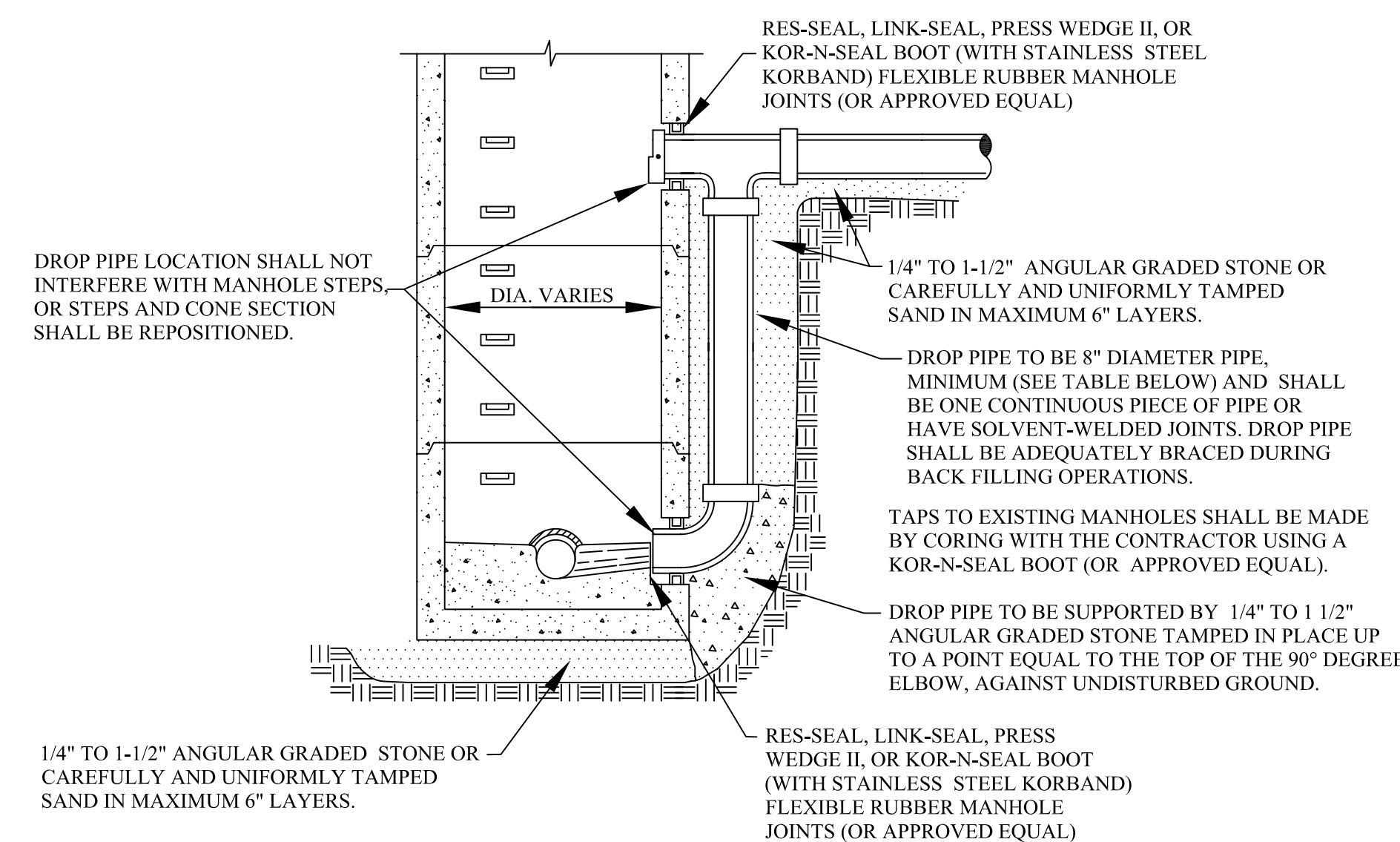
MANHOLE SIZING CHART	
MANHOLE DIAMETER	MAX. PIPE SIZE FOR STRAIGHT THRU INST.
4'	24"
5'	36"
6'	42"
7'	60"



### ROCHESTER HILLS MANHOLE COVER

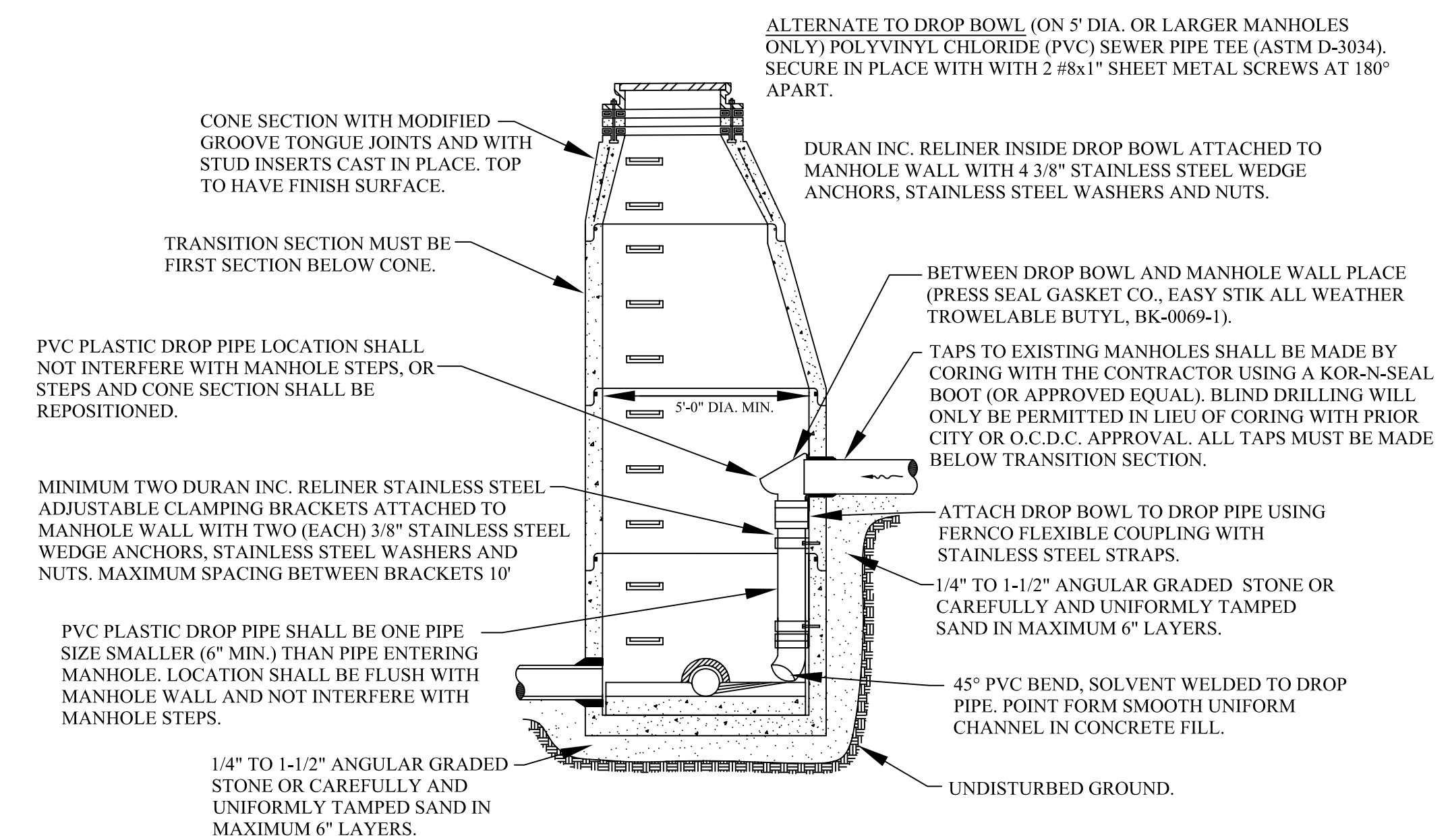


### O.C.D.C. LETTERED MANHOLE COVER



### EXTERIOR DROP CONNECTION

SEWER SIZE	DROP SIZE	MH SIZE
UP TO 10"	8"	4'
UP TO 18"	10"	4'
UP TO 30"	18"	5'



### INTERIOR DROP CONNECTION

NOTE: INTERIOR DROP CONNECTION PERMITTED ONLY WHEN APPROVED BY CITY ENGINEER.



REVISIONS	DATE	APPROVED BY

NOTIFY ROCHESTER HILLS ENGINEERING DEPARTMENT @ 248-841-2510 48 HRS. PRIOR TO START OF CONSTRUCTION

**City of Rochester Hills**  
1000 Rochester Hills Drive, Rochester Hills, Michigan 48309

## SANITARY SEWER STANDARD DETAILS

NOT TO SCALE	DATE: 8/1/2007
SHEET 1 OF 2	REV: 2/25/2008