

Project:

Type:

Prepared By:

Date:

**Driver Info**

| Type        | Constant Current |
|-------------|------------------|
| 120V        | 0.18A            |
| 208V        | 0.11A            |
| 240V        | 0.09A            |
| 277V        | 0.08A            |
| Input Watts | 21W              |

**LED Info**

|                |              |
|----------------|--------------|
| Watts          | 18W          |
| Color Temp     | 5100K (Cool) |
| Color Accuracy | 75 CRI       |
| L70 Lifespan   | 100,000      |
| Lumens         | 2,565        |
| Efficacy       | 122.1 LPW    |

12, 18 and 26 Watt SLIM wallpacks are ultra efficient and deliver impressive light distribution with a compact low-profile design that's super easy to install as a downlight or uplight.

Color: Bronze

Weight: 4.3 lbs

**Technical Specifications**

**Listings**

**UL Listing:**

Suitable for wet locations. Suitable for mounting within 1.2m (4ft) of the ground.

**ADA Compliant:**

SLIM™ is ADA Compliant

**IESNA LM-79 & LM-80 Testing:**

RAB LED luminaires and LED components have been tested by an independent laboratory in accordance with IESNA LM-79 and LM-80.

**DLC Listed:**

This product is listed by Design Lights Consortium (DLC) as an ultra-efficient premium product that qualifies for the highest tier of rebates from DLC Member Utilities.  
DLC Product Code: PSPVC3C7

**Construction**

**IP Rating:**

Ingress Protection rating of IP66 for dust and water

**Cold Weather Starting:**

Minimum starting temperature is -40°C (-40°F)

**Maximum Ambient Temperature:**

Suitable for use in 40°C (104°F)

**Housing:**

Precision die-cast aluminum housing

**Mounting:**

Heavy-duty mounting bracket with hinged housing for easy installation

**Recommended Mounting Height:**

Up to 14 ft

**Lens:**

Tempered glass lens

**Reflector:**

Specular thermoplastic

**Gaskets:**

High-temperature silicone

**Finish:**

Formulated for high durability and long-lasting color

**Green Technology:**

Mercury and UV free. RoHS-compliant components.

**LED Characteristics**

**LED:**

Multi-chip, long-life LED

**Lifespan:**

100,000-hour LED lifespan based on IES LM-80 results and TM-21 calculations

**Color Consistency:**

7-step MacAdam Ellipse binning to achieve consistent fixture-to-fixture color

**Color Stability:**

LED color temperature is warranted to shift no more than 200K in CCT over a 5-year period

## Technical Specifications (continued)

### LED Characteristics

#### Color Uniformity:

RAB's range of CCT (Correlated Color Temperature) follows the guidelines for the American National Standard for Specifications for the Chromaticity of Solid State Lighting (SSL) Products, ANSI C78.377-2017.

#### Other

#### Patents:

The design of the SLIM™ is protected by patents in U.S. Pat D681,864, and pending patents in Canada, China, Taiwan and Mexico.

#### HID Replacement Range:

Replaces 100W Metal Halide

#### Buy American Act Compliance:

RAB values USA manufacturing! Upon request, RAB may be able to manufacture this product to be compliant with the Buy American Act (BAA). Please contact customer service to request a quote for the product to be made BAA compliant.

#### Optical

#### BUG Rating:

B1 U0 G0

#### Electrical

#### Driver:

Constant Current, Class 2, 100-277V, 50/60 Hz., 4KV surge protection, 120V: 0.19A, 208V: 0.11A, 240V: 0.10A, 277V: 0.08A

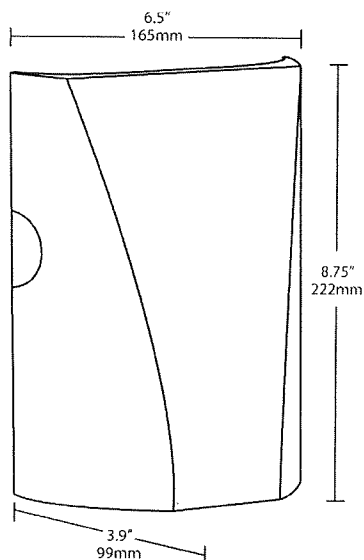
#### THD:

11% at 120V, 21% at 277V

#### Power Factor:

99.2% at 120V, 91.5% at 277V

### Dimensions

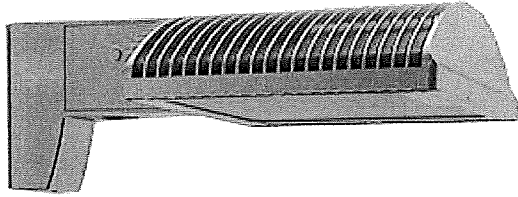


### Features

- Full cutoff, fully shielded LED wallpack
- Can be used as a downlight or uplight
- Contractor friendly features for easy installation
- 100,000-hour LED Life
- 5-Year, No-Compromise Warranty

### Ordering Matrix

| Family | Wattage  | Color Temp           | Finish         | Driver                      | Options                      |
|--------|----------|----------------------|----------------|-----------------------------|------------------------------|
| SLIM   | 18       |                      |                |                             |                              |
|        | 12 = 12W | Blank = 5000K (Cool) | Blank = Bronze | Blank = Standard (120-277V) | Blank = No Option            |
|        | 18 = 18W | N = 4000K (Neutral)  | W = White      | /D10 = Dimmable             | /PC = 120V Button            |
|        | 26 = 26W | Y = 3000K (Warm)     |                |                             | /PC2 = 277V Button           |
|        |          |                      |                |                             | /LC = Lightcloud® Controller |



Color: Bronze

Weight: 32.5 lbs

Project:

Type:

Prepared By:

Date:

### Driver Info

|              |                  |
|--------------|------------------|
| Type:        | Constant Current |
| 120V:        | 0.46A            |
| 208V:        | 0.27A            |
| 240V:        | 0.23A            |
| 277V:        | 0.20A            |
| Input Watts: | 55W              |
| Efficiency:  | 91%              |

### LED Info

|                 |              |
|-----------------|--------------|
| Watts:          | 50W          |
| Color Temp:     | 5000K (Cool) |
| Color Accuracy: | 71 CRI       |
| L70 Lifespan:   | 100,000      |
| Lumens:         | 6,855        |
| Efficacy:       | 124 LPW      |

## Technical Specifications

### Listings

#### UL Listing:

Suitable for wet locations as a downlight

#### IESNA LM-79 & IESNA LM-80 Testing:

RAB LED luminaires and LED components have been tested by an independent laboratory in accordance with IESNA LM-79 and LM-80.

#### Dark Sky Conformance:

Conforms to (allows for conformance to) the IDA's fully shielding requirement, emitting no light above 90 degrees (with the exclusion of incidental light reflecting from fixture housing, mounts, and pole).

### LED Characteristics

#### Lifespan:

100,000-hour LED lifespan based on IES LM-80 results and TM-21 calculations

#### LEDs:

Multi-chip, high-output, long-life LEDs

#### Color Consistency:

7-step MacAdam Ellipse binning to achieve consistent fixture-to-fixture color

#### Color Stability:

LED color temperature is warranted to shift no more than 200K in CCT over a 5 year period

#### Color Uniformity:

RAB's range of CCT (Correlated Color Temperature) follows the guidelines of the American National Standard for Specifications for the Chromaticity of Solid State Lighting (SSL) Products, ANSI C78.377-2017.

### Construction

#### IES Classification:

The Type III distribution is ideal for roadway, general parking and other area lighting applications where a larger pool of lighting is required. It is intended to be located near the side of the area, allowing the light to project outward and fill the area.

### IP Rating:

Ingress Protection rating of IP66 for dust and water

### Ambient Temperature:

Suitable For use in 40°C (104°F)

### Cold Weather Starting:

Minimum starting temperature is -40°C (-40°F)

### Thermal Management:

Superior thermal management design with external Air-Flow fins provides maximum operational life, even in high ambient temperature environments

### Effective Projected Area:

EPA = 0.75

### Housing:

Die cast aluminum housing, lens frame and mounting arm

### Mounting:

Universal mounting arm compatible for hole spacing patterns from 1" to 5 1/2" center to center. Round Pole Adaptor plate included as a standard. Easy slide and lock to mount fixture with ease. Round pole diameter must be >4" to mount fixtures at 90° orientation.

### Reflector:

Specular vacuum-metallized polycarbonate

### Gaskets:

High temperature silicone gaskets

### Finish:

Formulated for high-durability and long lasting color

### Green Technology:

Mercury and UV-free. RoHS compliant components.

### Electrical

#### Driver:

Constant Current, Class 2, 1400mA, 100-277V, 50-60Hz, 0.8A, Power Factor 99%

#### Surge Protection:

6kV surge suppression protection tested in accordance with IEEE/ANSI C62.41.2.

#### THD:

6.1% at 120V, 9.4% at 277V

#### Power Factor:

99.6% at 120V, 96% at 277V

### Other

#### Patents:

The ALED™ design is protected by patents pending in the U.S., Canada, China, Taiwan and Mexico.

#### BAA Compliance:

Click for BAA compliance.

## Technical Specifications (continued)

### Other

#### Warranty:

RAB warrants that our LED products will be free from defects in materials and workmanship for a period of five (5) years from the date of delivery to the end user, including coverage of light output, color stability, driver performance and fixture finish. RAB's warranty is subject to all terms and conditions found at

#### Equivalency:

Replaces 200W Metal Halide

#### Buy American Act Compliance:

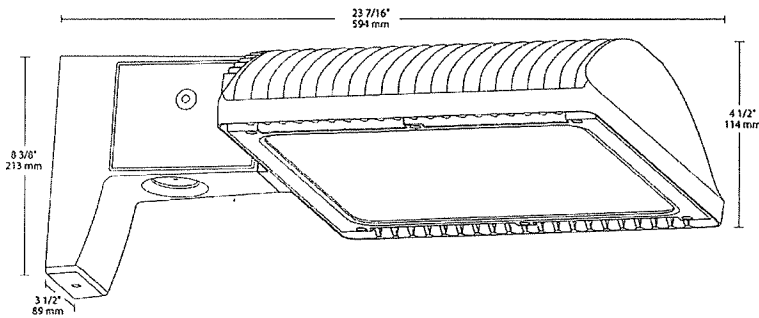
RAB values USA manufacturing! Upon request, RAB may be able to manufacture this product to be compliant with the Buy American Act (BAA). Please contact customer service to request a quote for the product to be made BAA compliant.

#### Optical

#### BUG Rating:

B1 U0 G2

## Dimensions



## Features

- 66% energy cost savings vs. HID
- 100,000-hour LED lifespan
- 5-year warranty

## Ordering Matrix

| Family | Optics        | Wattage                  | Mounting           | Color Temp           | Finish                 | Driver Options                         | Options   | Other Options       |
|--------|---------------|--------------------------|--------------------|----------------------|------------------------|--|---|---------------------|
| ALED   | 3T            | 50                       | Λ                  | Λ                    | Λ                      | Λ                                      | Λ   | Λ                   |
|        | 3T = Type III | 50 = 50W<br>78 = 78W     | Blank = Pole mount | Blank = 5000K (Cool) | Blank = Bronze         | Blank = 120-277V                       | Blank = No Option   | Blank = Standard    |
|        | 2T = Type II  | 105 = 105W               | SF = Slipfitter    | N = 4000K (Neutral)  | RG = Roadway Gray      | /480 = 480V                            | /LC = Lightcloud® Controller  | USA = BAA Compliant |
|        | 4T = Type IV  | 125 = 125W<br>150 = 150W |                    | Y = 3000K (Warm)     | W = White<br>K = Black | /BL = Bi-Level<br>/D10 = 0-10V Dimming | /PCS = 120V Swivel Photocell<br>/PCS2 = 277V Swivel Photocell<br>/PCT = 120-277V Twistlock Photocell<br>/PCS4 = 480V Swivel Photocell<br>/PCT4 = 480V Twistlock Photocell<br>/WS2 = Multi-Level Motion Sensor 20 ft.<br>/WS4 = Multi-Level Motion Sensor 40 ft. |                     |