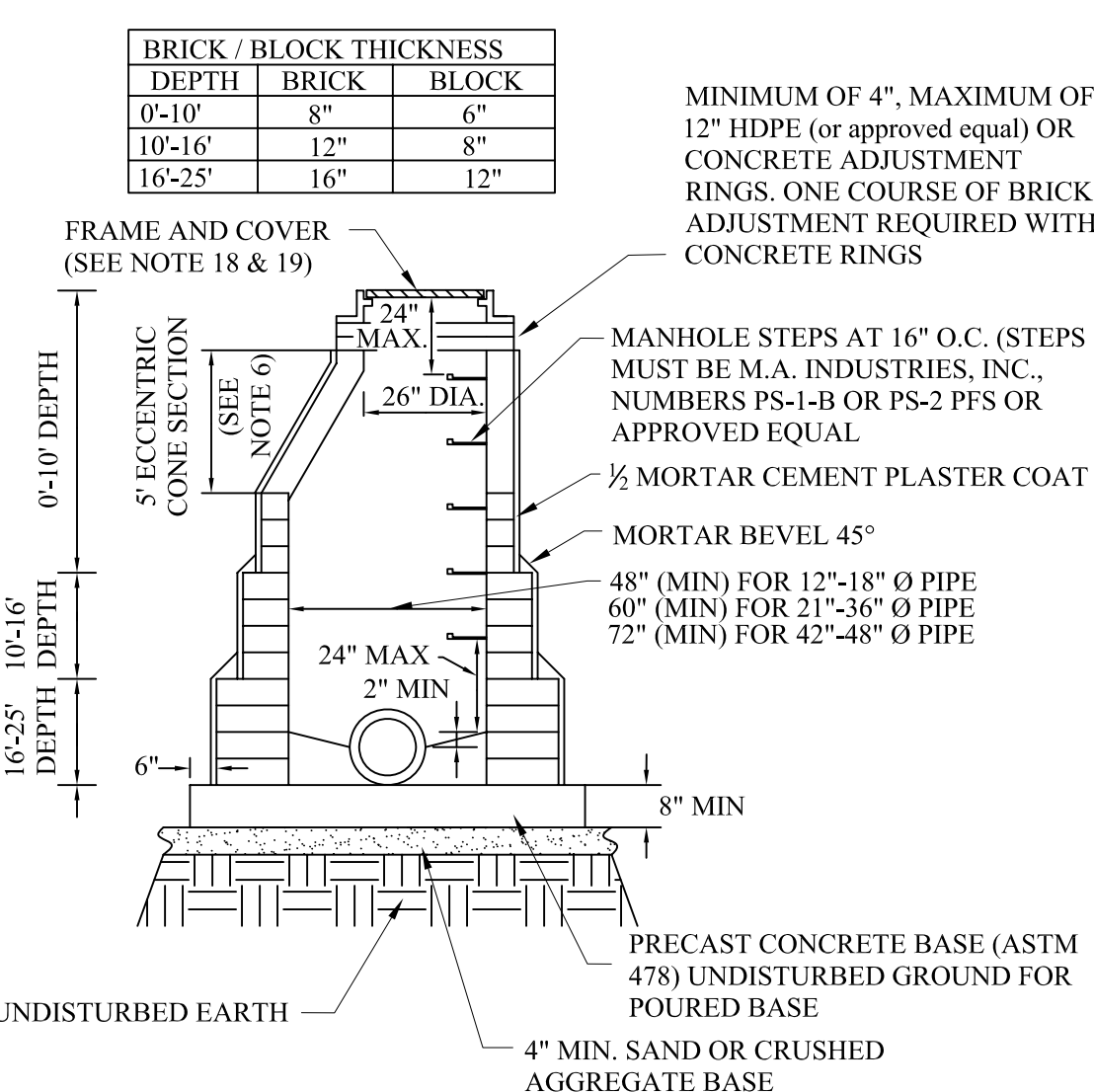
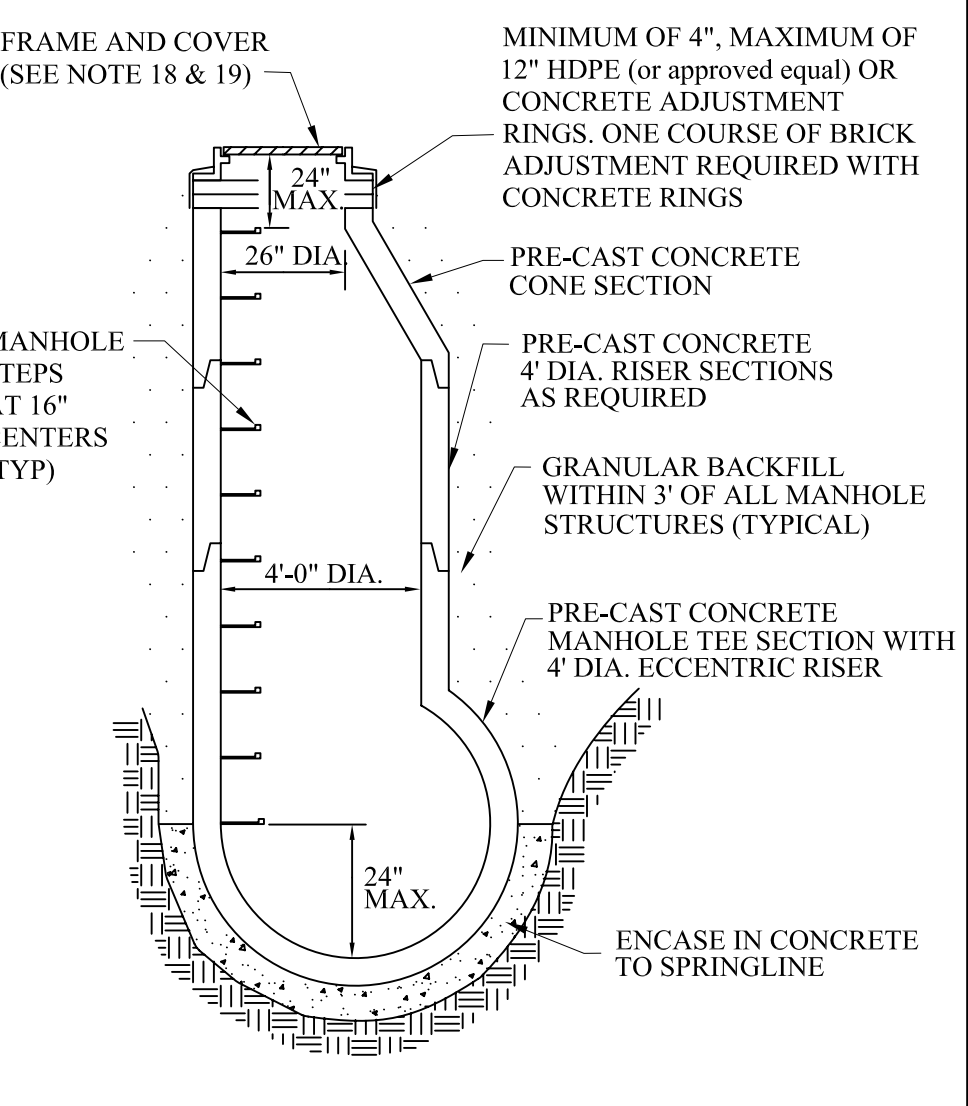


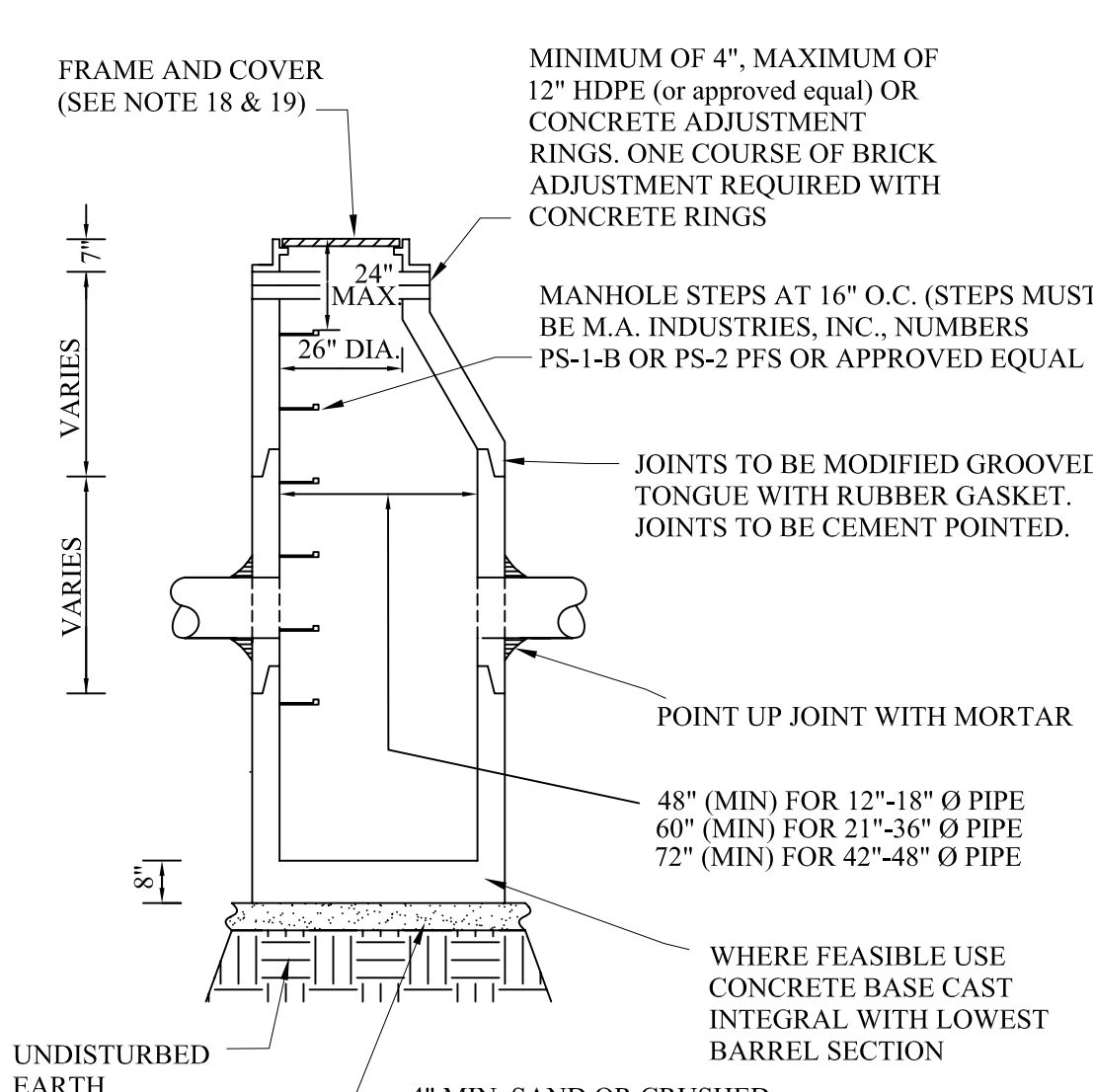
PRE-CAST STORM MANHOLE



BRICK OR BLOCK MANHOLE



PRE-CAST TEE MANHOLE DETAIL



PRECAST STORM CATCH BASIN

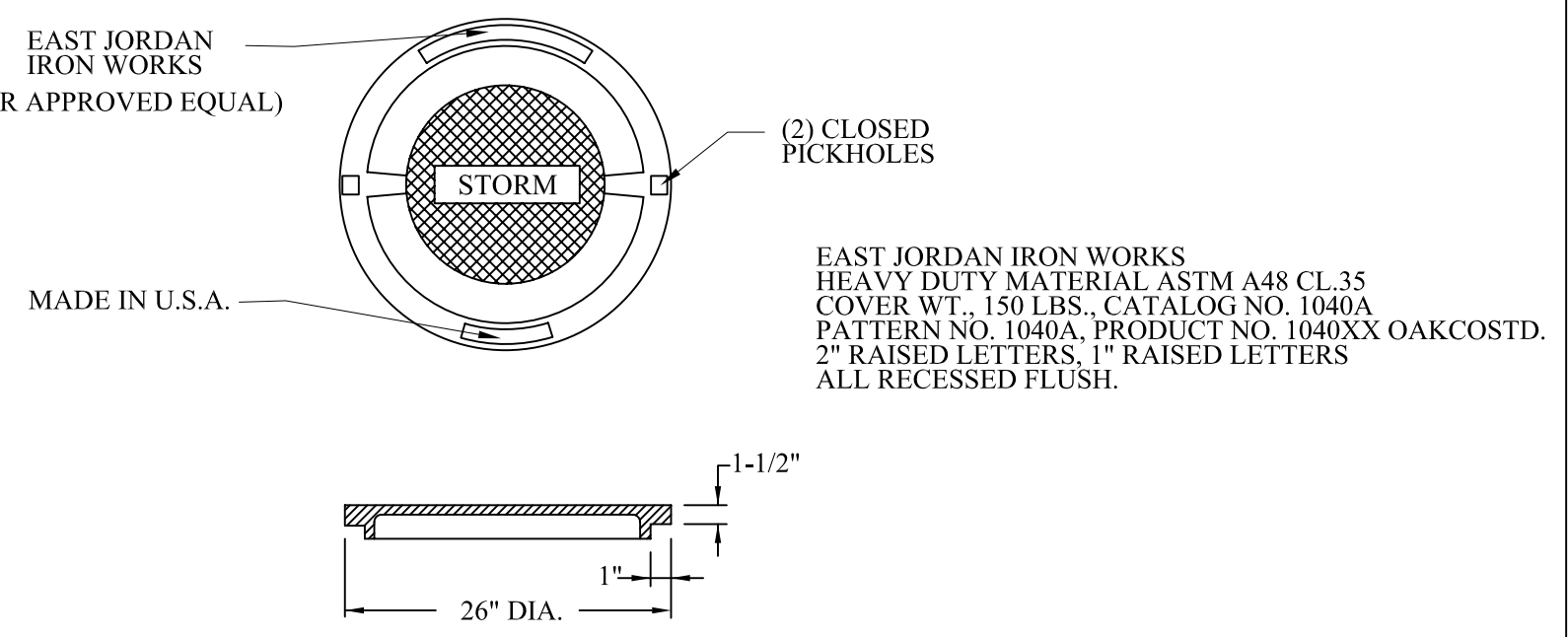
GENERAL NOTES:

- ALL EXISTING AND NEW STORM SYSTEMS SHALL BE CLEANED AND FLUSHED ONCE SITE IS 90% BUILT OUT AND VEGETATED. SEDIMENT, ROCK AND OTHER DEBRIS SHALL BE COLLECTED AND DISPOSED OF IN A PROPER MANNER. IN NO CASE SHALL DEBRIS BE FLUSHED DOWN A STORM OR SANITARY SEWER FOR DISPOSAL. ALL DAMAGED IRRIGATION AND HOUSE DRAINAGE PIPE, DRAIN TILES, SEWER LATERALS AND CULVERTS SHALL BE REPAIRED EXPEDITIOUSLY. DEBRIS COLLECTED SHALL BE DISPOSED IN A COMMERCIAL LANDFILL OR OTHER APPROVED LOCATION.
- STORM SEWER PIPE SHALL BE OF SIZE AND TYPE NOTED ON THE APPROVED PLANS.
- REINFORCED CONCRETE PIPE (RCP) SHALL BE MODIFIED GROOVED TONGUE JOINTS WITH O-RING TYPE RUBBER GASKET, PER ASTM C443.
- ALL CATCH BASIN LEADS AND INLET LEADS SHALL BE ASTM C76-CLASS IV PIPE.
- MINIMUM PIPE SIZE FOR SEWERS, CATCH BASINS LEADS, AND INLET LEADS SHALL BE 12" NOMINAL INTERNAL DIAMETER.
- ECCENTRIC CONES SHALL BE PROVIDED ON ALL STRUCTURES, REGARDLESS OF THE MATERIAL USED. PRECAST REINFORCED CONCRETE MANHOLE, BLOCK, OR BRICK TO PROVIDE A TRUE VERTICAL FACE FOR PLACEMENT OF MANHOLE STEPS.
- THE INSIDE JOINTS OF PIPES SIZES 42" AND LARGER DIAMETER SHALL BE POINTED UP WITH MORTAR UPON COMPLETION OF BACKFILLING OPERATIONS.
- ALL PIPES SHALL HAVE CLASS, LOT NUMBER, AND DATE OF MANUFACTURED CONSPICUOUSLY MARKED ON EACH LENGTH BY MANUFACTURER.
- ALL END SECTIONS 18" AND LARGER SHALL BE PROVIDED WITH A GALVANIZED BAR SCREEN.
- PRECAST REINFORCED CONCRETE SECTIONS SHALL CONFORM TO ASTM 2478.
- IN DRY, STABLE SOILS, PEASTONE (EQUIVALENT TO M.D.O.T. 34R SPECIFICATIONS) MAY BE SUBSTITUTED FOR THE STANDARD BEDDING, IF THE TRENCH IS WET OR UNSTABLE A GEOTEXTILE FABRIC MUST BE USED TO LINE THE TRENCH PRIOR TO THE PLACEMENT OF THE 2NS SAND, PEASTONE, OR 1/4" - 1/2" ANGULAR GRADED STONE.
- SCHEDULE INSPECTIONS 48 HOURS PRIOR TO START OF CONSTRUCTION BY CALLING THE CITY'S INSPECTION LINE AT 248-841-2510. FULL TIME INSPECTION SHALL BE REQUIRED FOR ALL UNDERGROUND STORM SEWER CONSTRUCTION.
- THE CONTRACTOR SHALL CONTACT MISS DIG 72 HOURS BEFORE CONSTRUCTION AT (811) TO LOCATE EXISTING UNDERGROUND UTILITIES.
- PRIOR TO START OF CONSTRUCTION CONTRACTOR SHALL HAVE IN HIS POSSESSION A CURRENT SOIL EROSION CONTROL PERMIT AS ISSUED BY THE O.C.D.C.
- MINIMUM SUMP DEPTH IS 2' FOR CATCH BASINS.
- A FLOATABLE TRAP IS REQUIRED PRIOR TO THE OUTLET, IN ACCORDANCE WITH CURRENT CITY OF ROCHESTER HILLS DESIGN STANDARDS.
- AS A MEANS OF INSURING PROPER INSTALLATION OF THE STORM SEWER PIPE, THE CONTRACTOR SHALL VIDEO INSPECT, ACCORDING TO THE CITY OF ROCHESTER HILLS VIDEO INSPECTION STANDARDS, 100% OF THE STORM SEWER PIPE 12" AND LARGER IN DIAMETER. THE CONTRACTOR SHALL PROVIDE 24 HOURS NOTICE TO THE CITY OF ROCHESTER HILLS PRIOR TO VIDEO INSPECTION, SO A REPRESENTATIVE MAY BE PRESENT. ROCHESTER HILLS WILL BE PROVIDED WITH A DIGITAL COPY OF THE VIDEO INSPECTION AND LOG IN ACCORDANCE WITH THE CITY OF ROCHESTER HILLS INSPECTION STANDARDS.

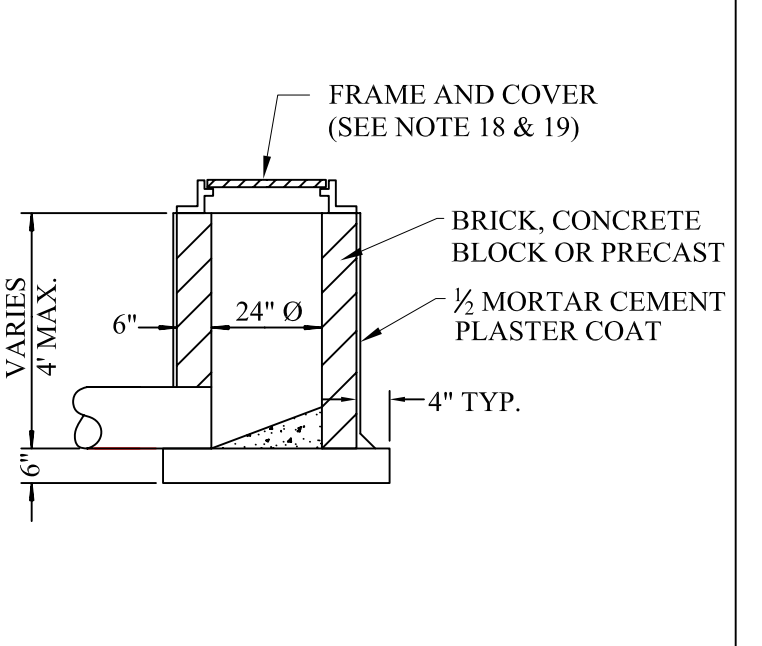
- PROJECTS THAT MUST MEET WITH THIS REQUIREMENT ARE:
- ALL PUBLIC PROJECTS OR PROJECTS BEING CONSTRUCTED ON PUBLIC PROPERTY
 - ANY PROJECT INVOLVING A DEVELOPMENT, SUBDIVISION, SITE CONDOMINIUM, CONDOMINIUM, OR ASSOCIATION.
 - ANY PROJECT THAT WILL RESULT IN MORE THEN ONE OWNER RESPONSIBLE FOR THE OPERATION AND MAINTENANCE OF THE COMPLETE STORM DRAINAGE SYSTEM

COVERS FOR MANHOLES, CATCH BASINS, AND INLETS

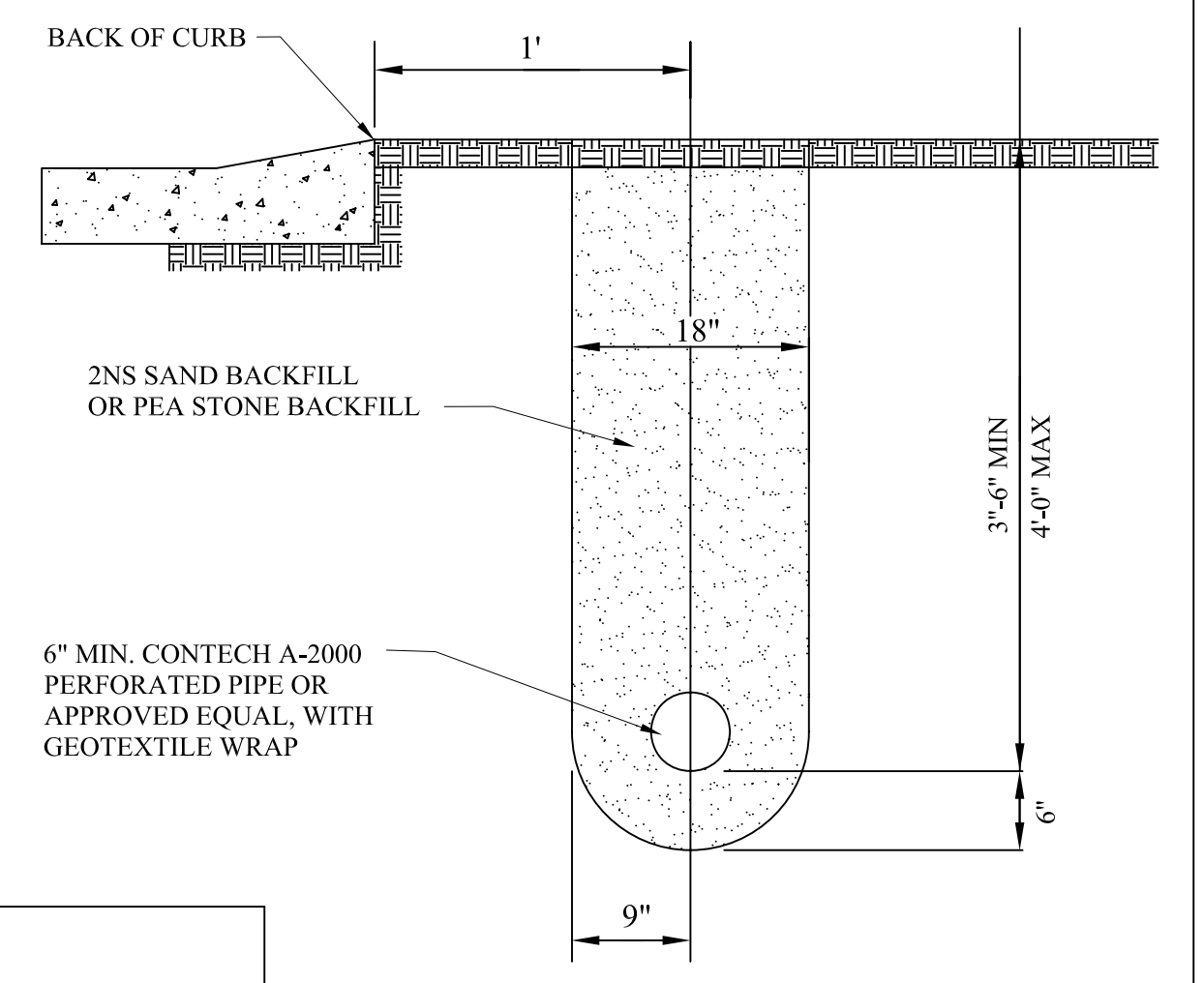
- MANHOLE FRAME AND COVER SHALL BE EJIW 1040, TYPE A COVER OR EQUIVALENT.
 - CATCH BASINS AND INLET FRAME AND COVER SHALL BE AS FOLLOWS:
 - EJIW 7045 WITH TYPE M1 GRATE AND 7050 T1 BACK, OR EQUAL, FOR USE WITH CONCRETE CURB AND GUTTER. (STRAIGHT CURB/ M.D.O.T. F CURB) AND WITH CONCRETE PAVEMENT WITH INTEGRAL CURB.
 - EJIW 7085 WITH TYPE M1 GRATE OR EQUAL, FOR USE WITH CONCRETE B-2 MODIFIED CURB AND GUTTER, AND WITH CONCRETE WITH B-2 MODIFIED INTEGRAL CURB.
 - EJIW 7065 WITH TYPE M1 GRATE AND 7060 T1 BACK, OR EQUAL, FOR USE WITH MOUNTABLE CURB AND GUTTER, AND WITH CONCRETE PAVEMENT WITH MOUNTABLE INTEGRAL CURB.
 - EJIW FRAME 1040 WITH TYPE N OVAL GRATE OR TYPE O2 BEEHIVE GRATE, OR EQUAL, FOR USE ON OPEN DITCH STRUCTURES AND ON CATCH BASINS LOCATED IN SWALES, AND IN EASEMENTS OUTSIDE THE PUBLIC STREET RIGHT-OF-WAY.
 - EJIW FRAME 7030 WITH TYPE M6 VANE GRATE AND T1 BACK, OR EQUAL, FOR USE WITH RELIEF BASINS WHICH ARE ON LONGITUDINAL ROAD SLOPES OF 4% OR GREATER.
- NOTE: COVERS MUST HAVE THE "DUMP NO WASTE! DRAINS TO WATERWAY" LETTERING (WHEN APPLICABLE).



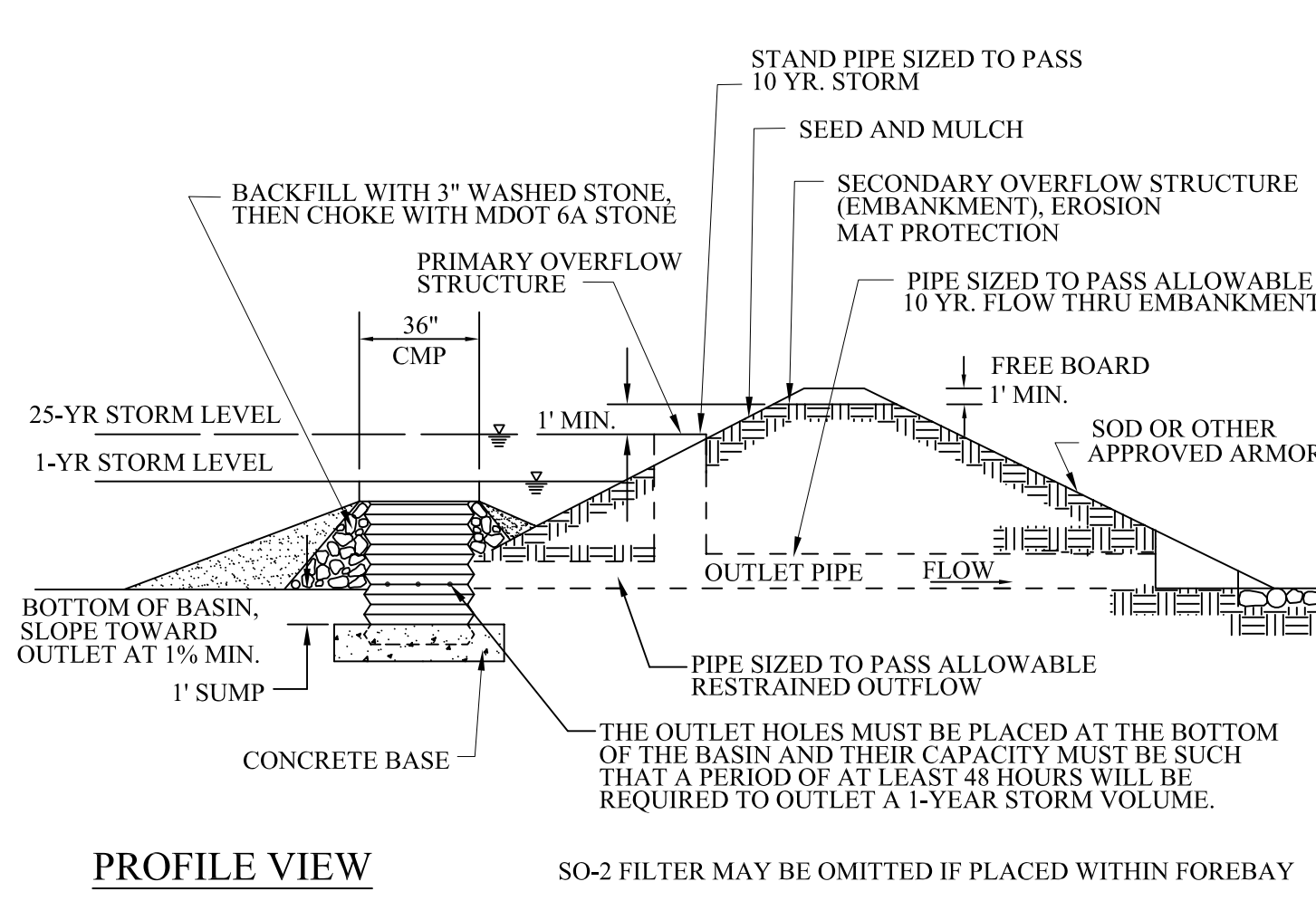
LETTERED MANHOLE COVER



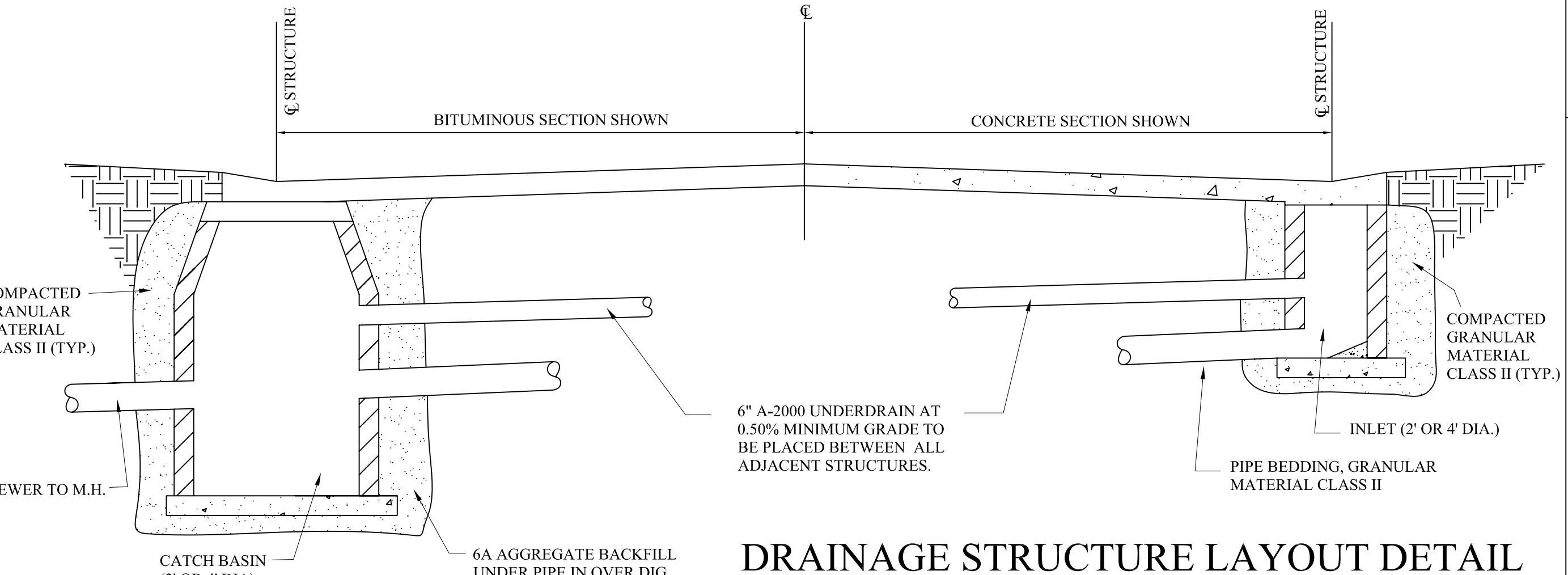
INLET DETAIL



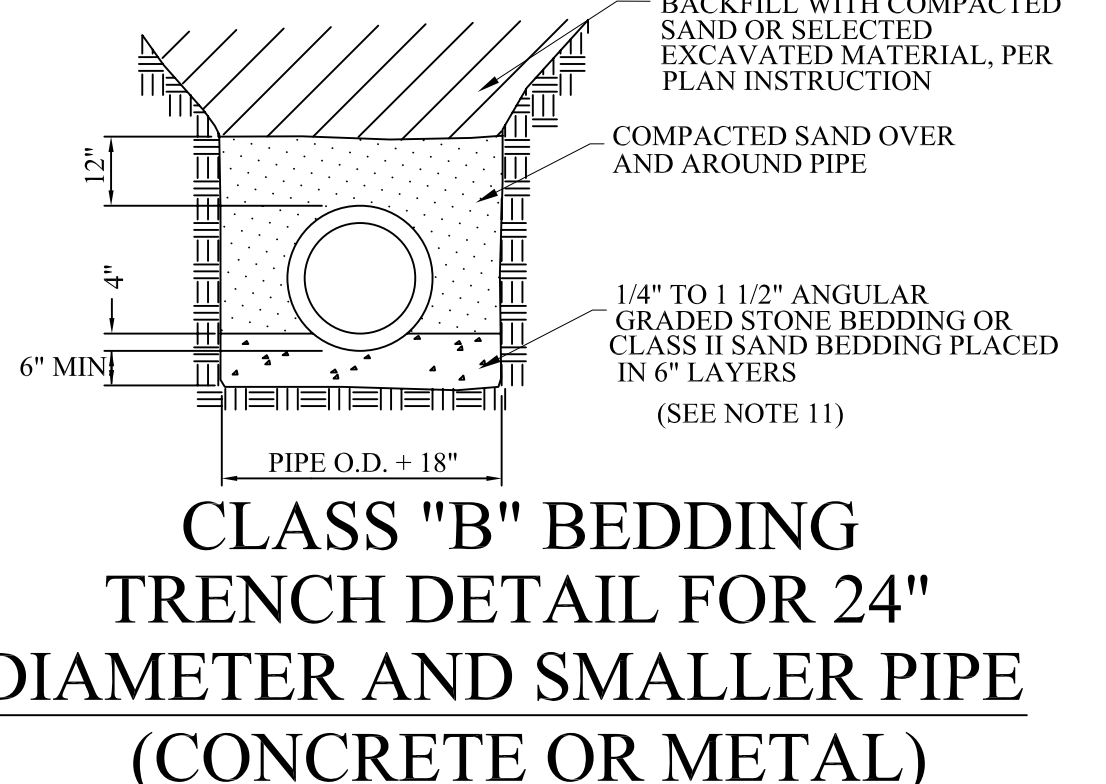
EDGE DRAIN DETAIL



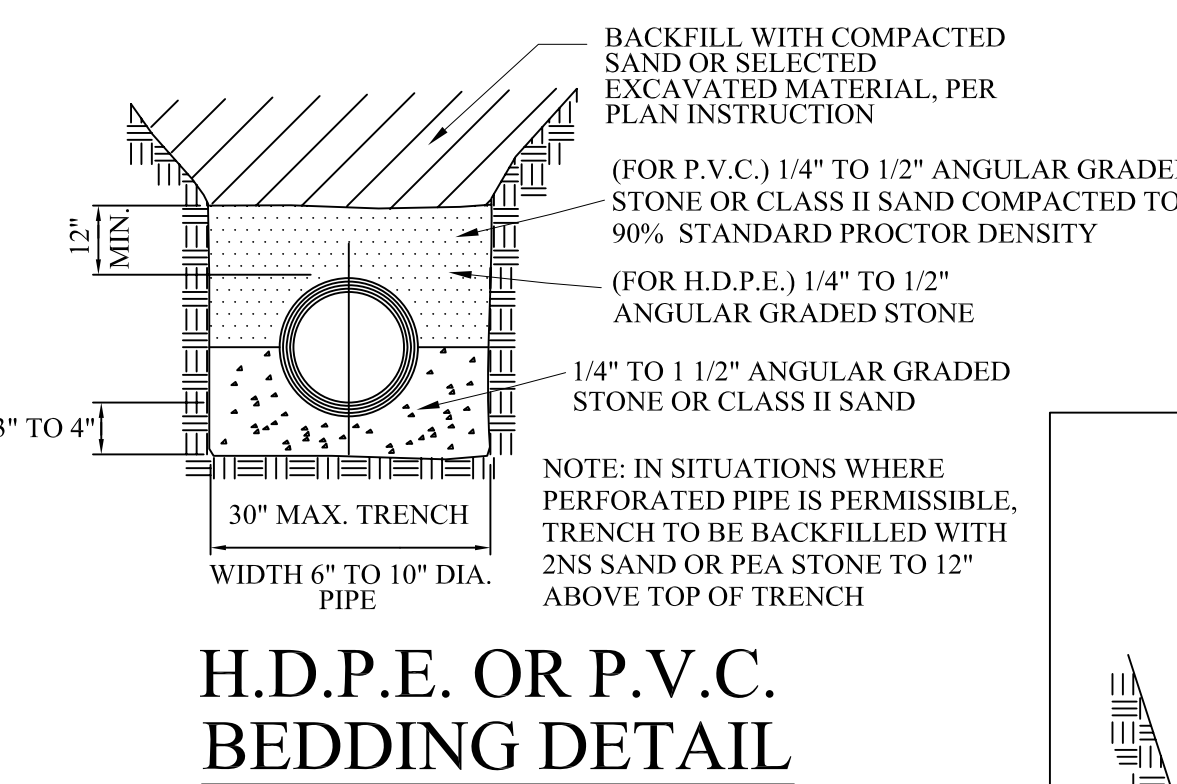
SO-2 DETENTION BASIN OUTLET FILTER (CMP)



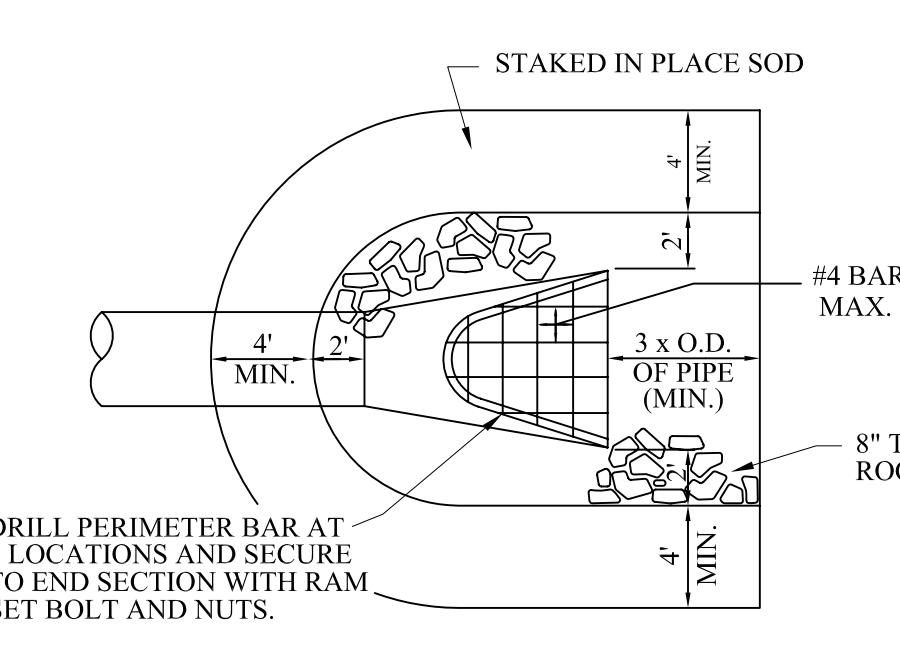
DRAINAGE STRUCTURE LAYOUT DETAIL



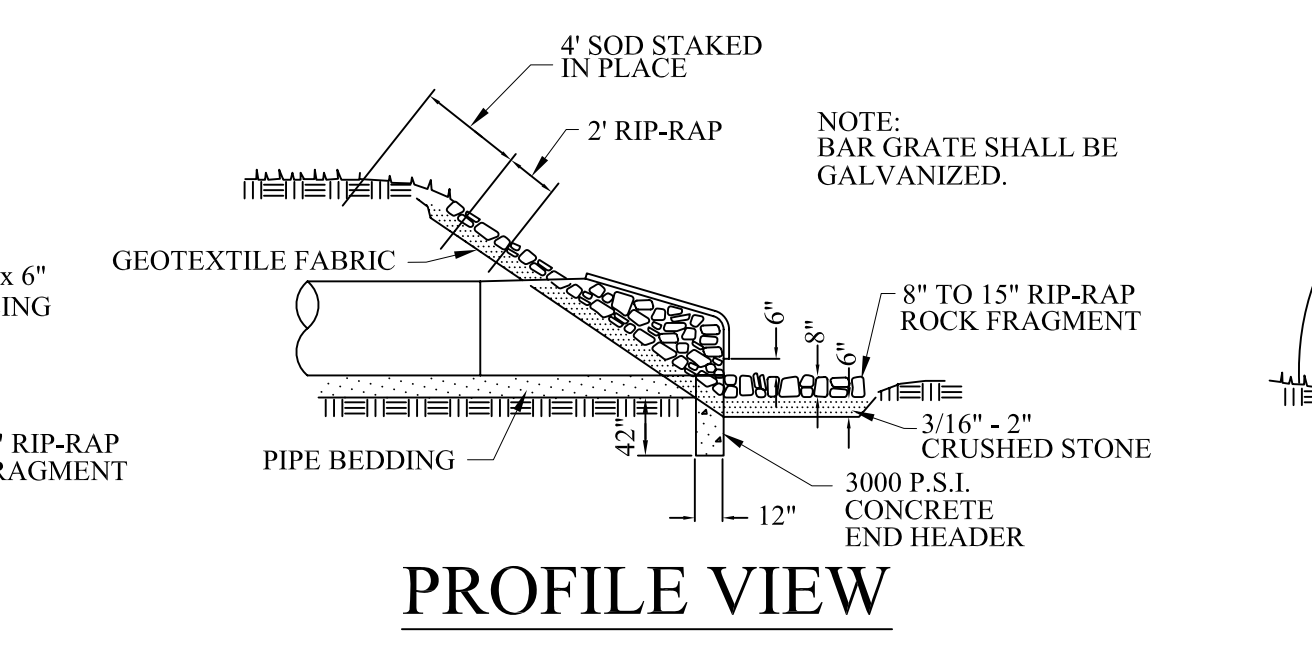
CLASS "B" BEDDING TRENCH DETAIL FOR 24" DIAMETER AND SMALLER PIPE (CONCRETE OR METAL)



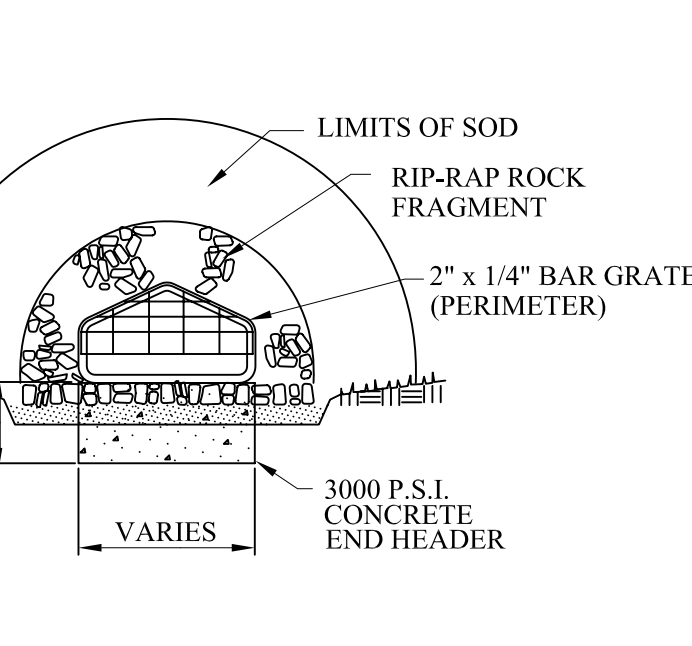
H.D.P.E. OR P.V.C. BEDDING DETAIL



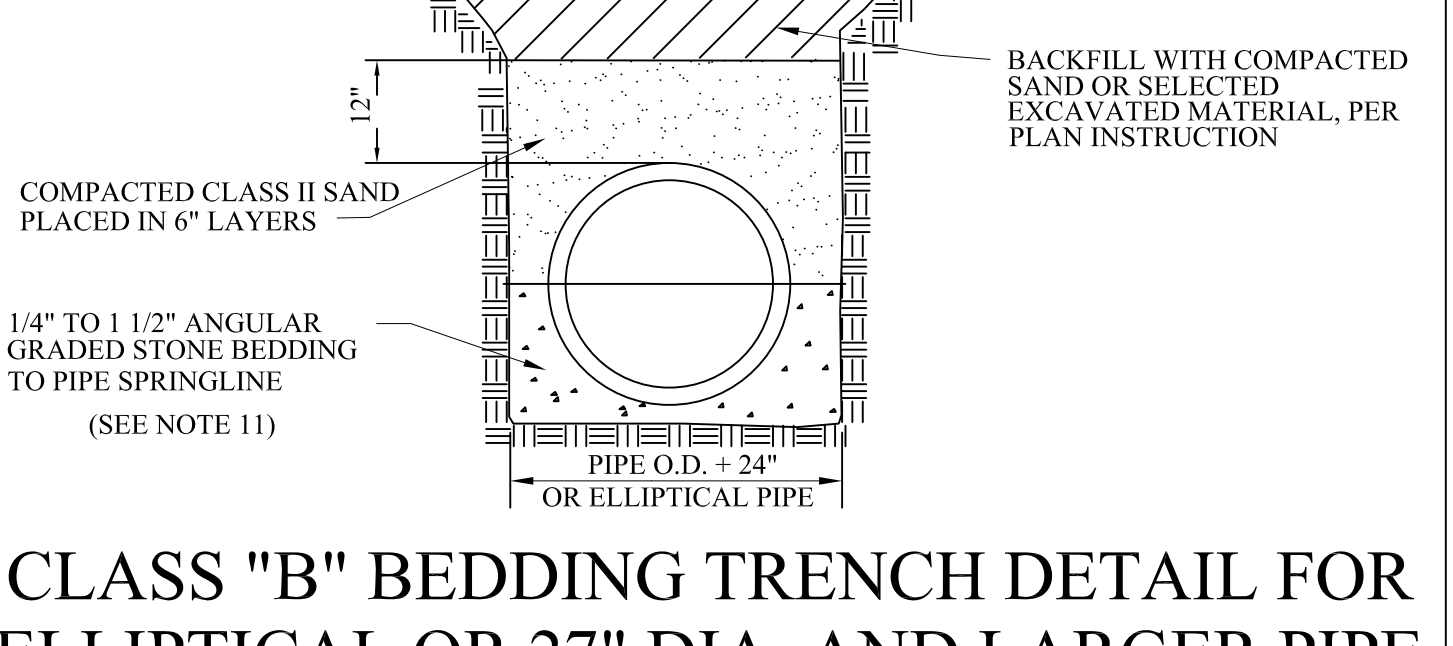
PLAN VIEW



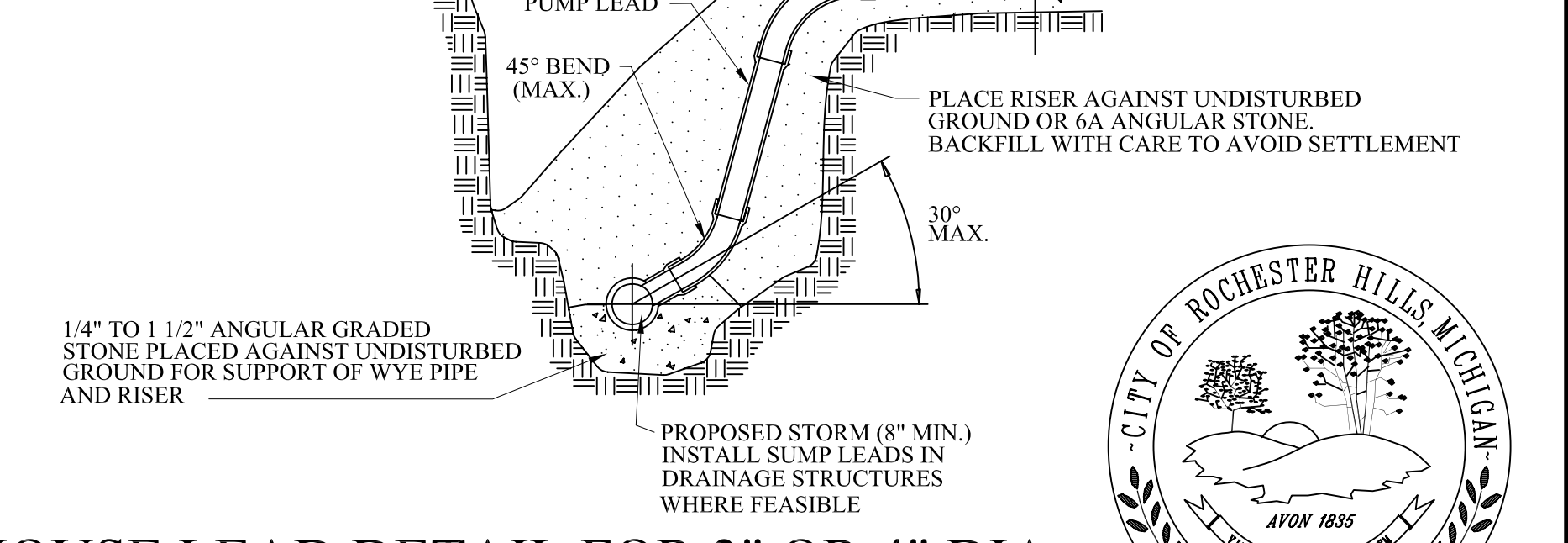
END SECTION AND BAR GRATE DETAIL



END VIEW



CLASS "B" BEDDING TRENCH DETAIL FOR ELLIPTICAL OR 27" DIA. AND LARGER PIPE (CONCRETE OR METAL)



HOUSE LEAD DETAIL FOR 3" OR 4" DIA. PLASTIC SUMP PUMP LEADS



REVISIONS	REVISIONS	DATE	APPROVED BY

NOTIFY ROCHESTER HILLS ENGINEERING DEPARTMENT @ 248-841-2510 48 HRS. PRIOR TO START OF CONSTRUCTION

City of Rochester Hills
1000 Rochester Hills Drive, Rochester Hills, Michigan 48309

STORM SYSTEM STANDARD DETAILS

NOT TO SCALE	DATE: 8/1/2007
SHEET 1 OF 1	REV: 2/25/2008