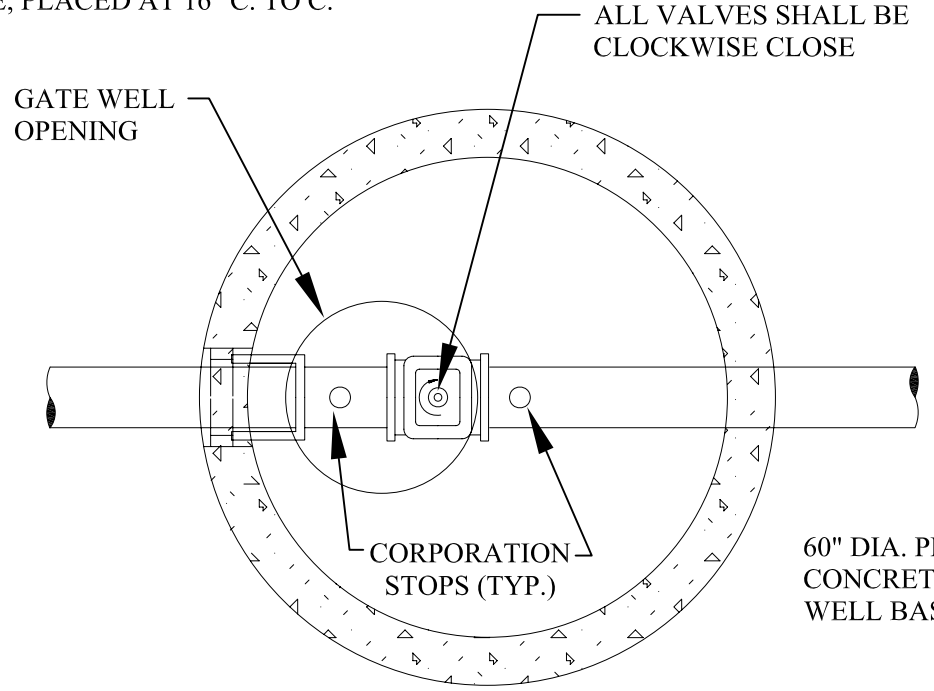
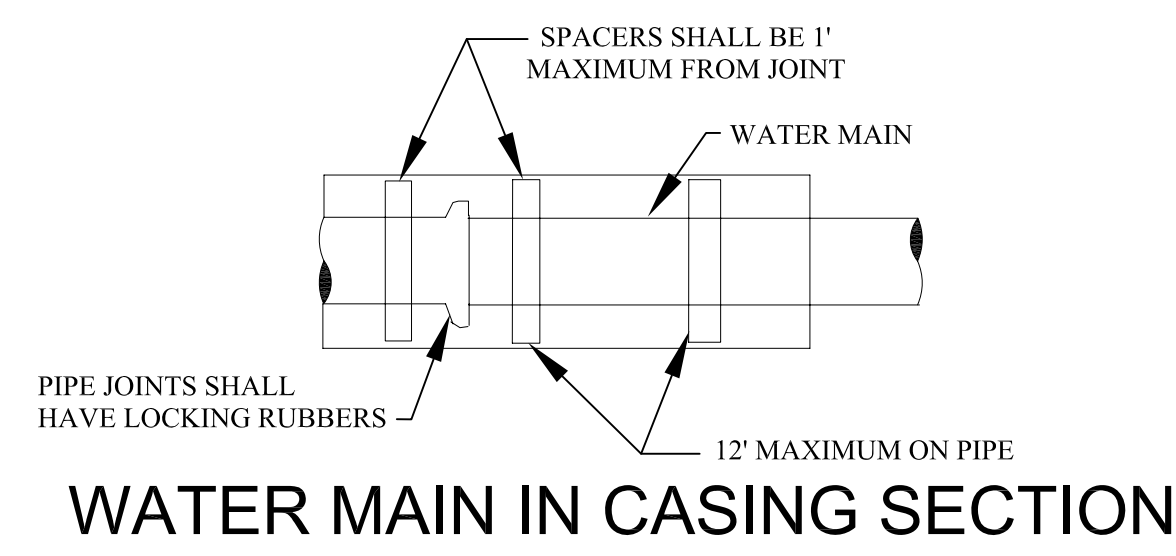


**ALL GATE WELLS**

MANHOLE STEPS TO BE PLASTIC COATED STEEL MEETING THE REQUIREMENTS IN ASTM D 2146, TYPE II, GRADE 49108. MA. INDUSTRIES P.S.I. POLYPROPYLENE OR APPROVED EQUAL. STEPS TO BE INSTALLED DURING MANHOLE MANUFACTURE, PLACED AT 16" C. TO C.

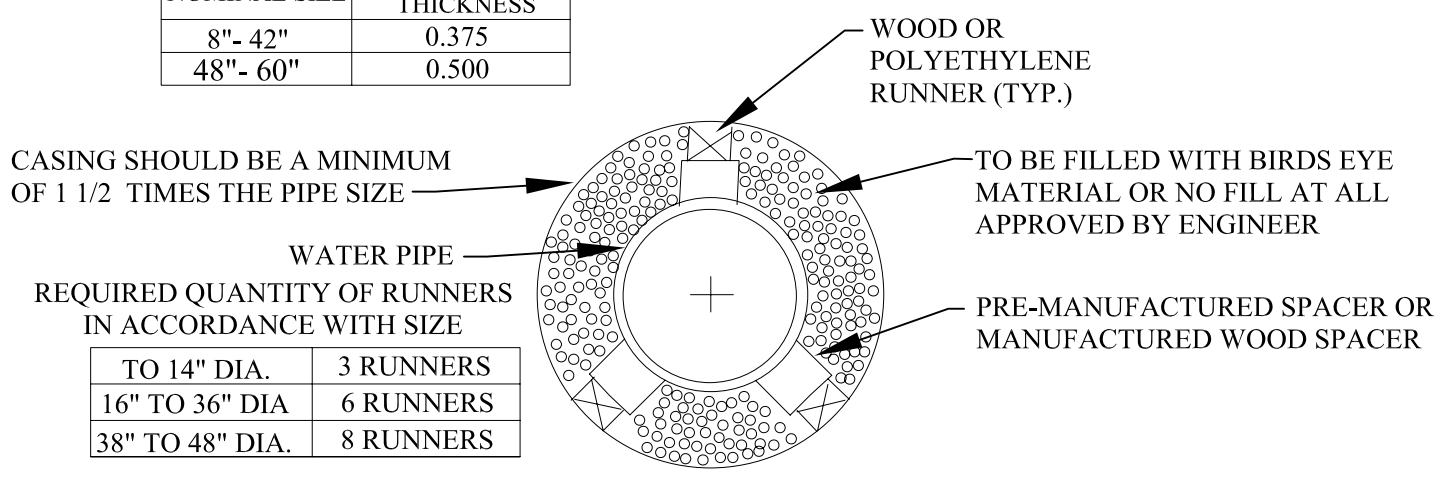


**GATE WELL (TYPICAL)**

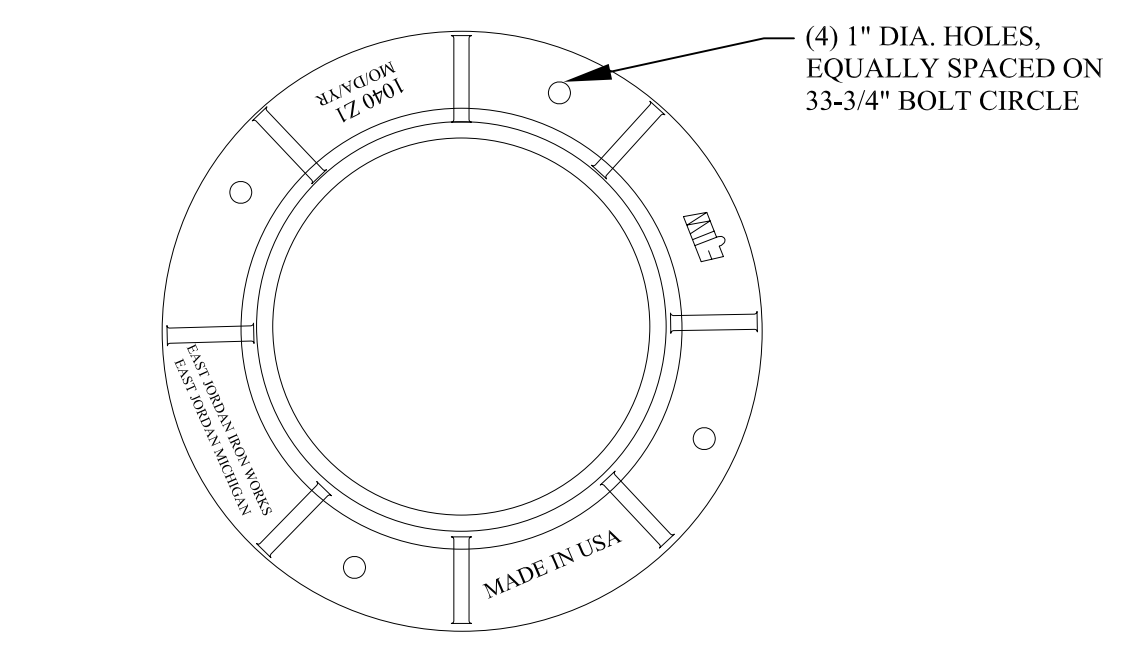


UNLESS OTHERWISE SPECIFIED, MINIMUM CASING PIPE SHALL BE ASTM A-139 GRADE B, WALL THICKNESS AS FOLLOWS:

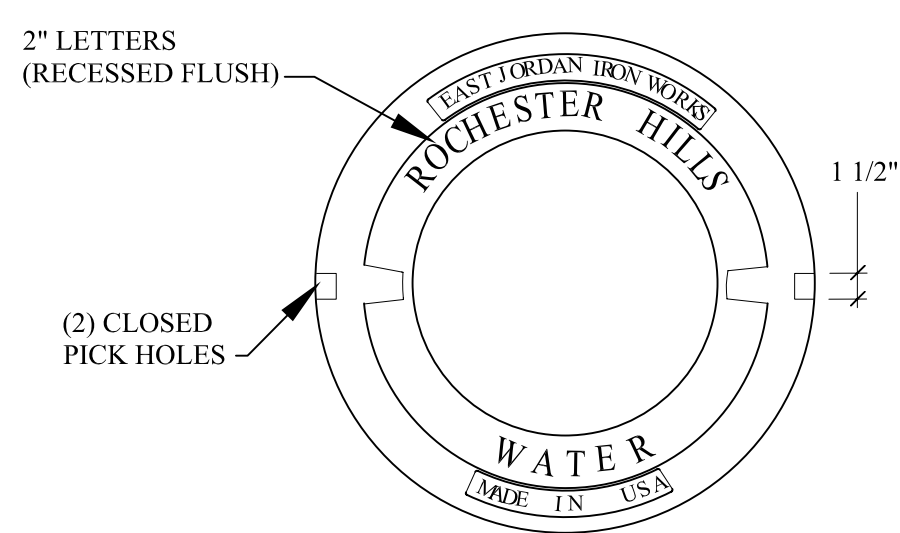
NOMINAL SIZE	MINIMUM WALL THICKNESS
8" - 42"	0.375
48" - 60"	0.500



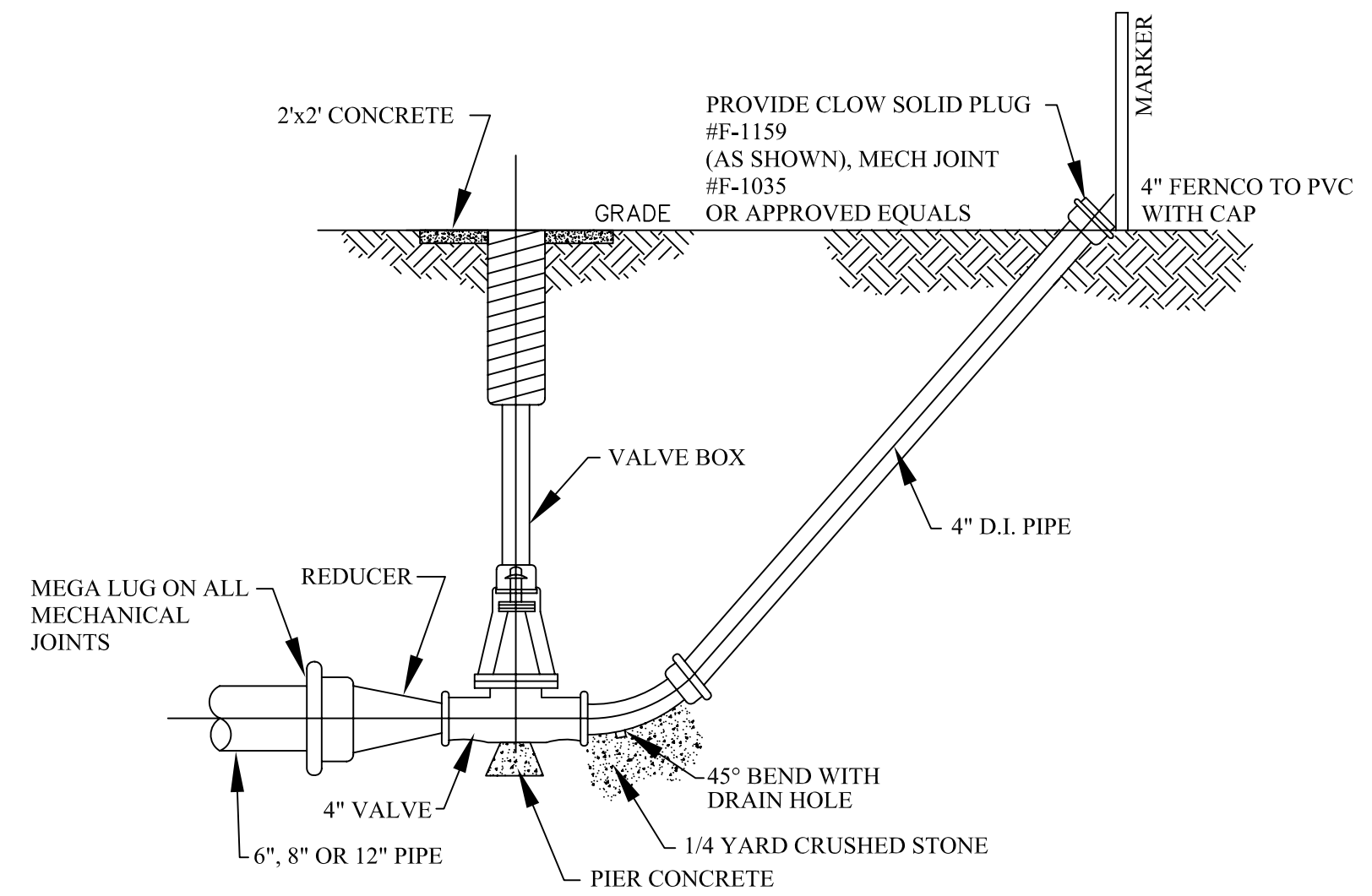
**SUPPORT FOR WATER MAIN CONSTRUCTED IN CASING PIPE**



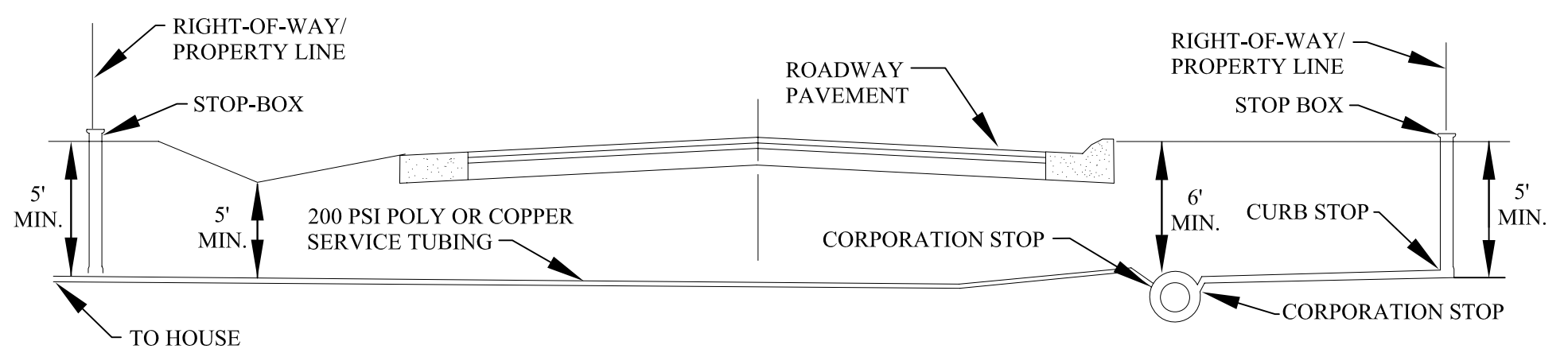
**FRAME**



**LETTERING LAYOUT FOR GATE WELL COVERS**

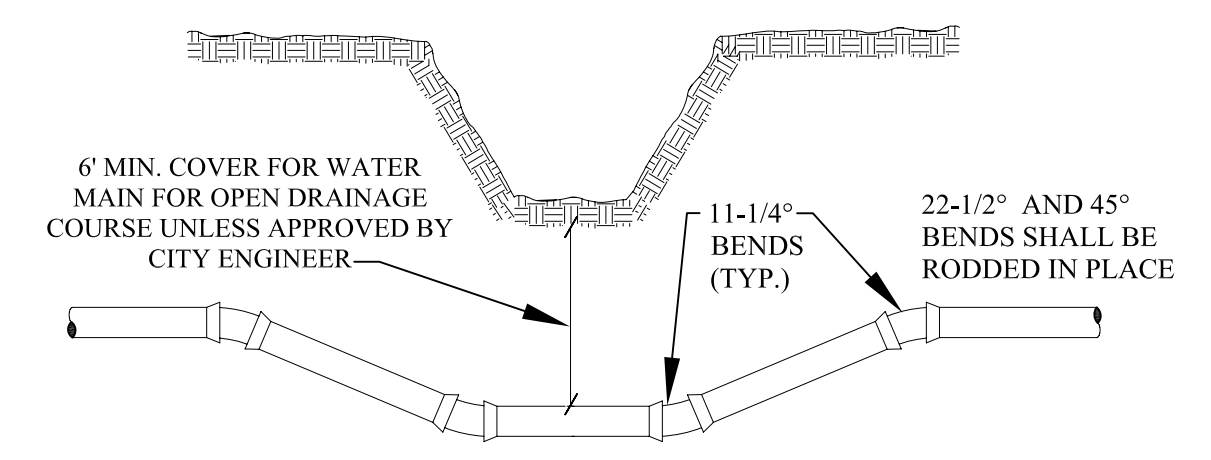


**DETAIL OF 4" BLOWOFF**

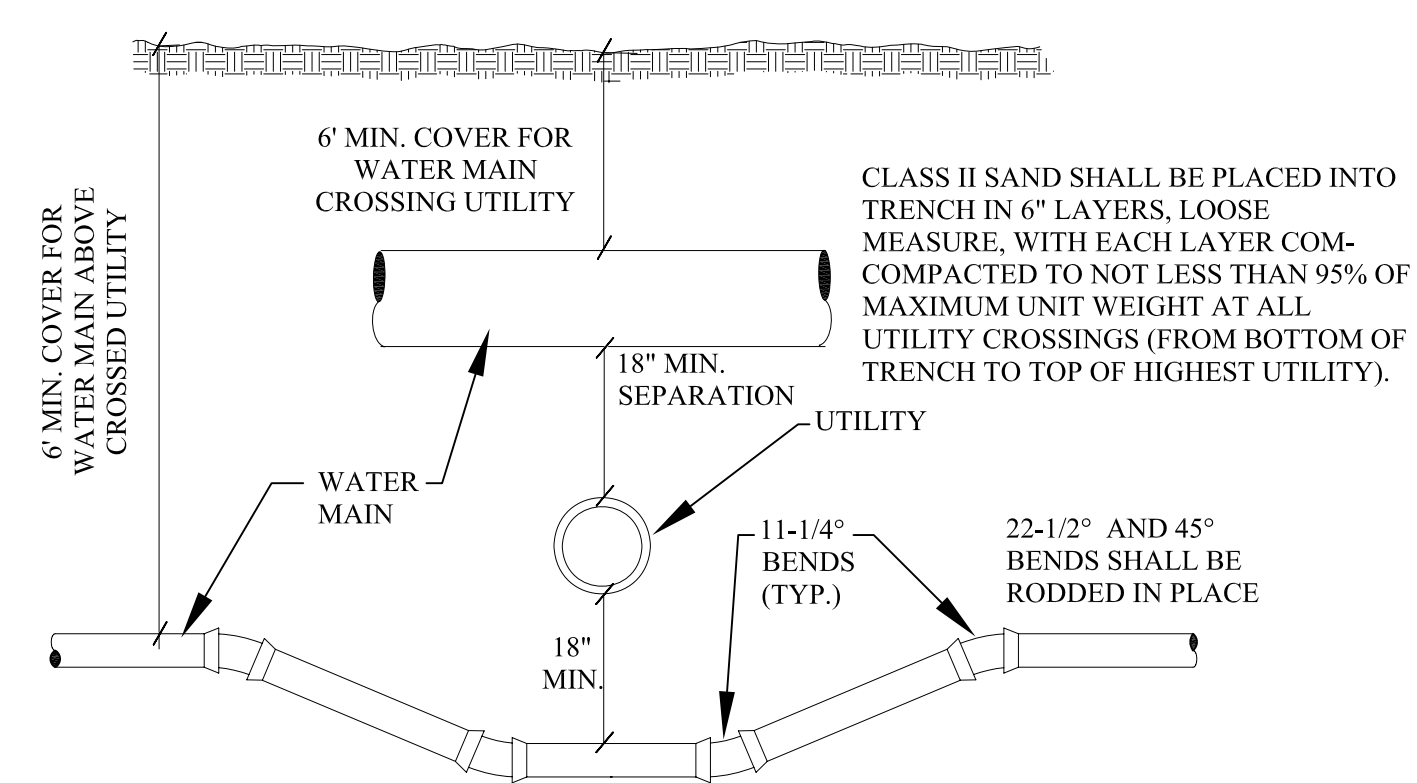


**TYPICAL PUBLIC ROAD WATER SERVICE CONNECTION**

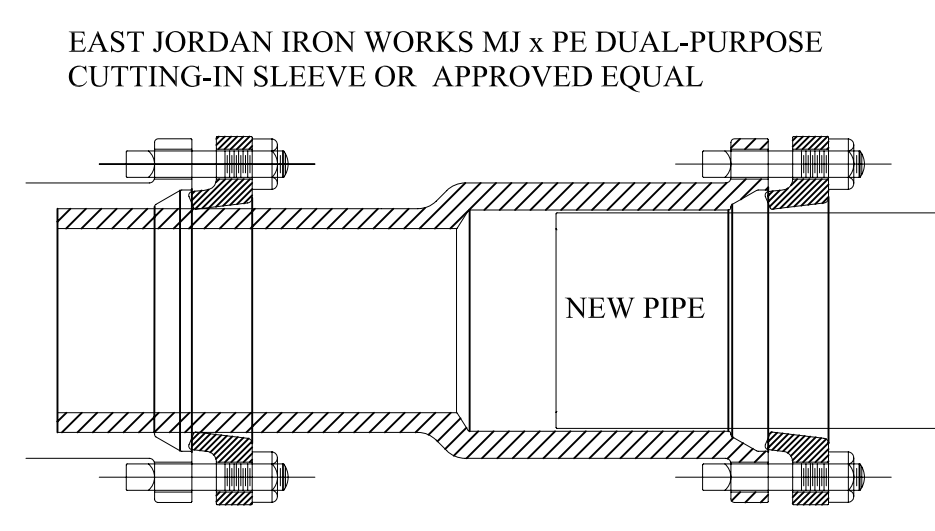
NOTES:  
 1. WATER SERVICE SHUT-OFF TO BE PLACED AT PROPERTY LINE.  
 2. LATERAL LOCATION SHALL BE AS REQUESTED BY THE ABUTTING PROPERTY OWNER.  
 3. ROCHESTER HILLS DPW PERFORMS SERVICE LEAD TAPS UP TO 2" DIAMETER.



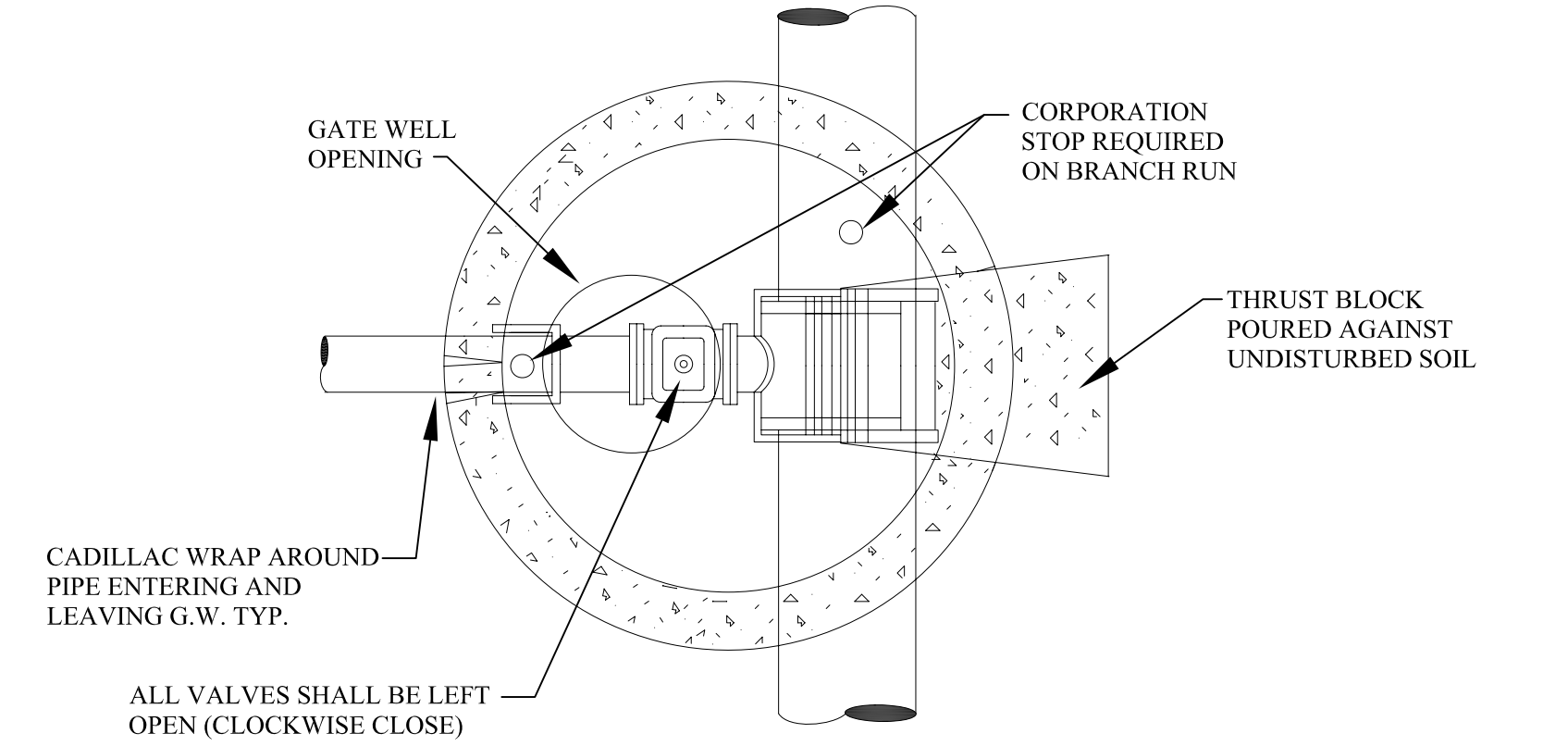
**DITCH CROSSING**



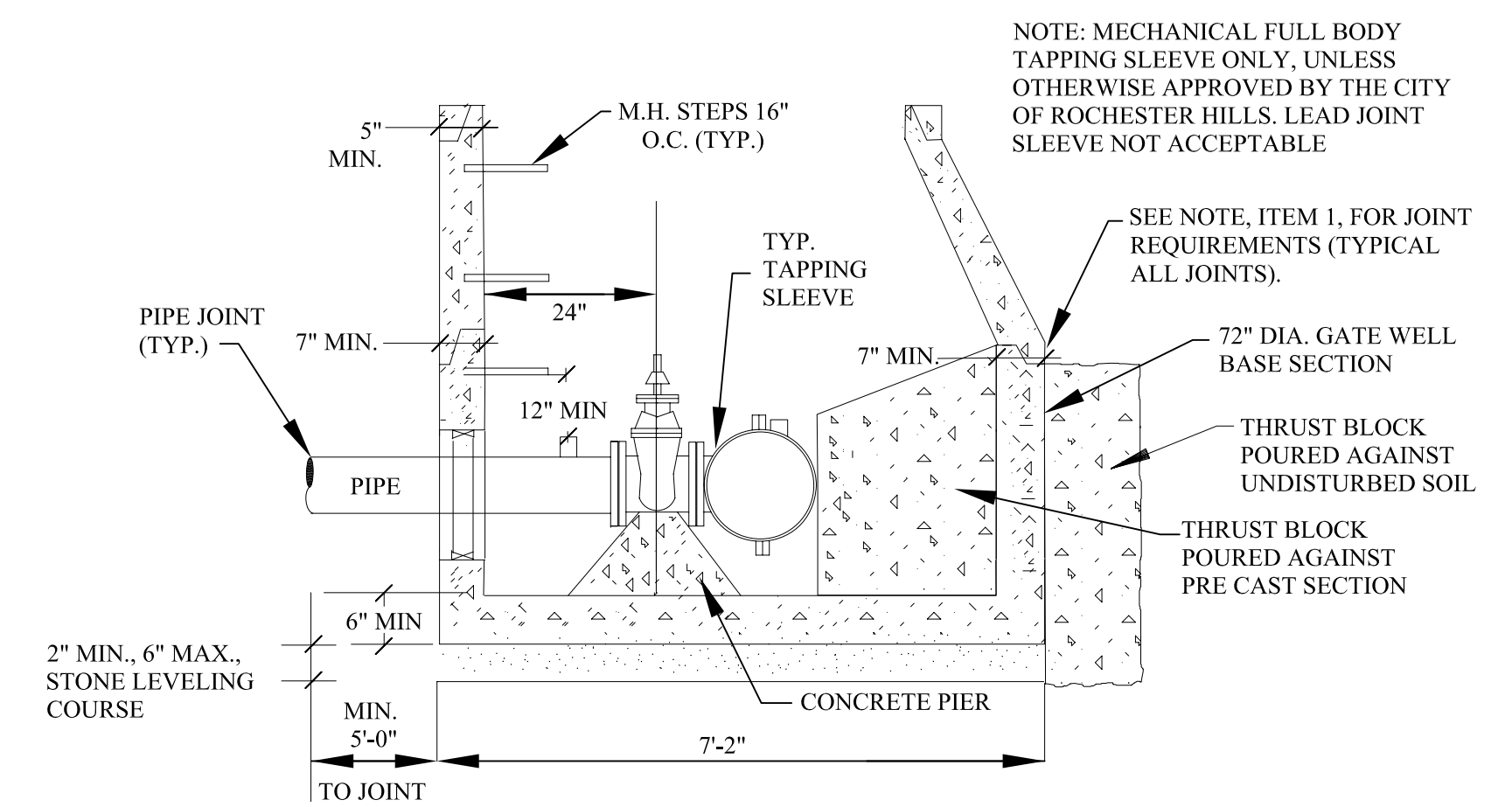
**UTILITY CROSSING**



**BOTTLE SLEEVE**



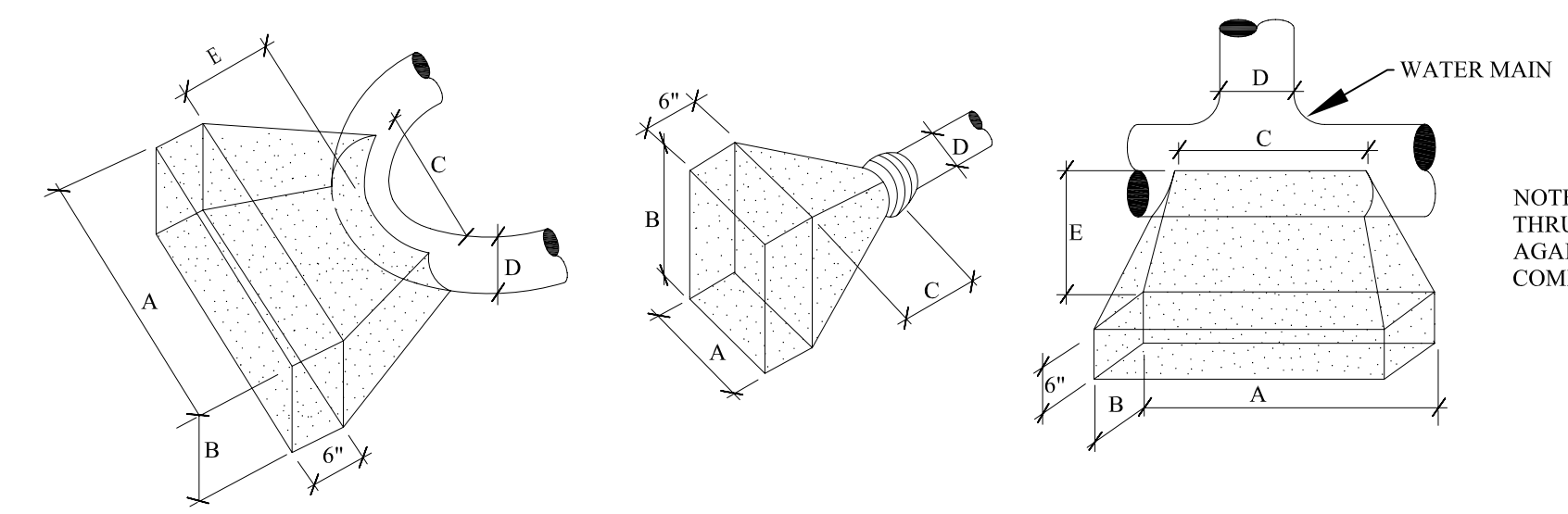
**PLAN TAPPING SLEEVE VALVE & WELL (TYPICAL)**



**TAPPING SLEEVE, VALVE AND WELL (TYPICAL)**

**NOTES:**

- ALL PRECAST CONCRETE GATE WELL SECTIONS SHALL BE MANUFACTURED TO CONFORM WITH A.S.T.M. C478, STANDARD SPECIFICATIONS FOR PRECAST REINFORCED CONCRETE MANHOLE SECTIONS, EXCEPT WALL THICKNESS SHALL BE AS SHOWN ON THESE DETAILS. ALL JOINTS FOR PRECAST CONCRETE GATE WELL SECTIONS SHALL BE "MODIFIED GROOVE TONGUE" WITH GASKET MANUFACTURED TO CONFORM WITH A.S.T.M. C 443, STANDARD SPECIFICATION FOR JOINTS FOR CIRCULAR CONCRETE SEWER AND CULVERT PIPE USING RUBBER GASKETS.
- CONTRACTOR SHALL INSTALL VALVES, TAPPING SLEEVES AND GATE WELL STRUCTURES IN STRICT COMPLIANCE WITH MEASUREMENTS PROVIDED ON SHEET 1 (i.e. 2'-0" BETWEEN GATE WELL WALL & CENTERLINE OF OPERATING NUT) TO ALLOW PROPER OPERATION OF VALVE THROUGH GATE WELL OPENING. FAILURE TO DO SO WILL REQUIRE CONTRACTOR TO CORRECT AT HIS EXPENSE.
- TAPPING SLEEVES SHALL BE MANUFACTURED BY ROMAC INDUSTRIES; MUELLER; EAST JORDAN; SMITH-BLAIR OR APPROVED EQUAL AND APPROVED BY THE CITY OF ROCHESTER HILLS. FULL BODY SLEEVES MUST BE USED EXCEPT FOR REINFORCED CONCRETE PRESSURE PIPE OR A.C. PIPE.
- FOR ALL PIPE USE A 1" CORPORATION STOP. NO CORPS SHALL BE USED IN CONCRETE PRESSURE PIPE.
- RUBBER O-RINGS SHALL NOT BE USED IN PAVEMENT.



FOR 90° BENDS OR SMALLER

D	A	B	C	E MIN.
20"	8'	6.5'	3.5'	2.5'
16"	6'	4'	2.5'	2'
12"	4'	3'	2'	1.75'
10"	3'	3'	2'	1.75'
8"	3'	2'	2'	1.5'
6"	2'	1.5'	2'	1.25'

FOR PLUGS

D	A	B	C MIN.
20"	7'	5'	2.5'
16"	4'-10"	4'-10"	2'
12"	4'-4"	3'	1'-9"
10"	3'	2'	1'-6"
8"	2'-10"	2'-6"	1'-6"
6"	1'-6"	1'-6"	3'

FOR TEES

D	A	B	C	E MIN.
20"	6.5'	4.5'	3.5'	3'
16"	4'-8"	4'-8"	2.5'	2.75'
12"	4'	3'	2.5'	2.5'
10"	3'	2'	2'	2.25'
8"	2'-6"	2'	2'	2.25'
6"	2'	2'	2'	2.25'



**WATER MAIN STANDARD DETAILS**

NOT TO SCALE DATE: 8/1/2007  
 SHEET 1 OF 2 REV: 2/25/2008

REVISIONS	DATE	APPROVED BY

APPROVED BY CITY COUNCIL, DATE: \_\_\_\_\_

PREPARED BY ENGINEERING DIVISION DEPARTMENT OF PUBLIC SERVICES

NOTIFY ROCHESTER HILLS ENGINEERING DEPARTMENT @ 248-841-2510 48 HRS. PRIOR TO START OF CONSTRUCTION

**City of Rochester Hills**  
 1000 Rochester Hills Drive, Rochester Hills, Michigan 48309