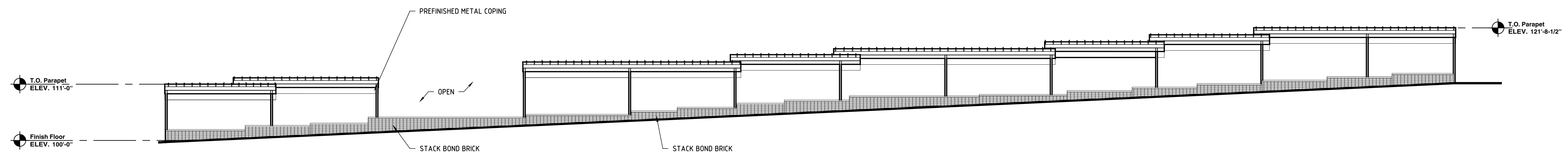


No.	Revision/Issue	Date
	P.U.D. Resubmittal #3	02.25.2019
	P.U.D. Resubmittal #2	12.28.2018
	P.U.D. Resubmittal #1	10.23.2018
	P.U.D. Submittal	08.27.2018

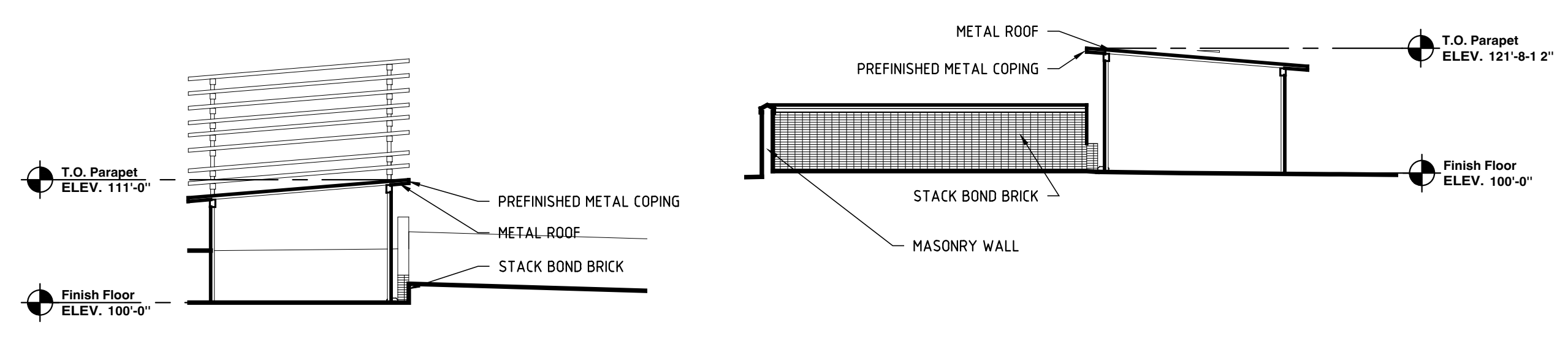
Rochester Hills Trio
 990 W. Auburn Rd
 Rochester Hills, MI 48307
 P.U.D. Review

Carport Elevation

A206 017218

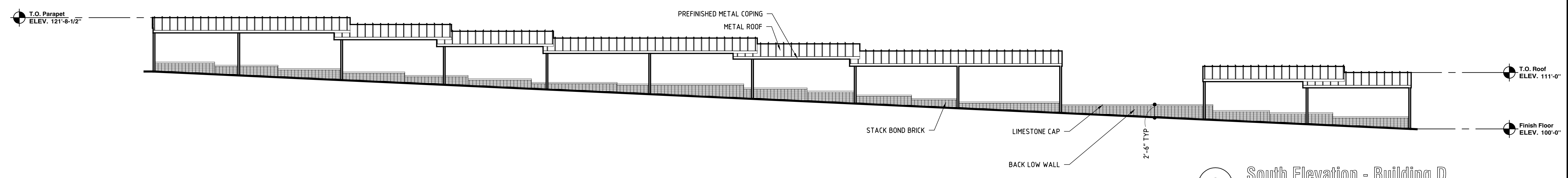


5 North Elevation - Building D
 SCALE: 3/32" = 1'

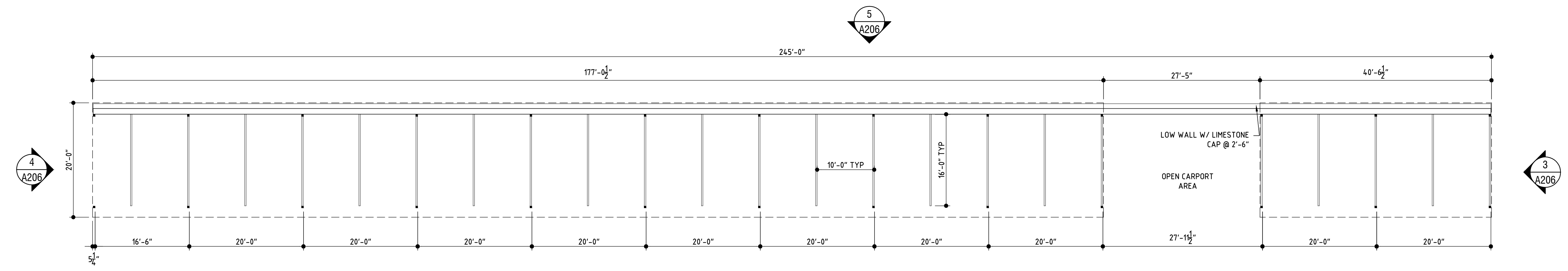


4 West Elevation - Building D
 SCALE: 3/32" = 1'

3 East Elevation - Building D
 SCALE: 3/32" = 1'



2 South Elevation - Building D
 SCALE: 3/32" = 1'



1 Building D Floor Plan
 SCALE: 3/32" = 1'