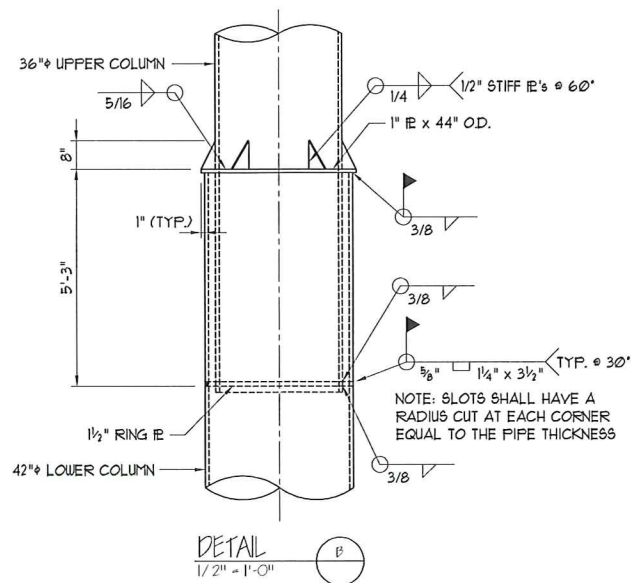
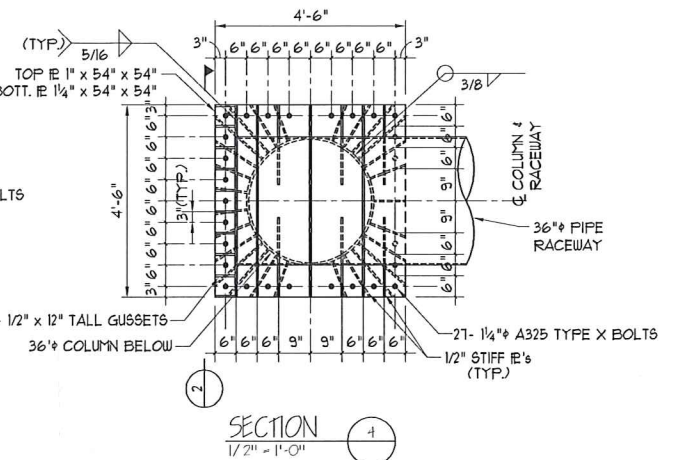
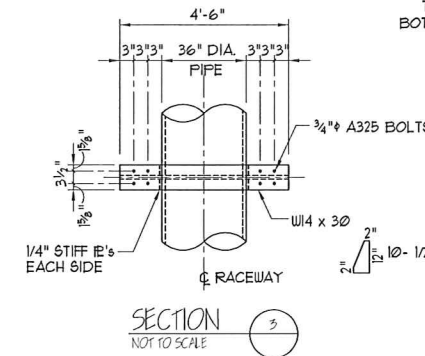
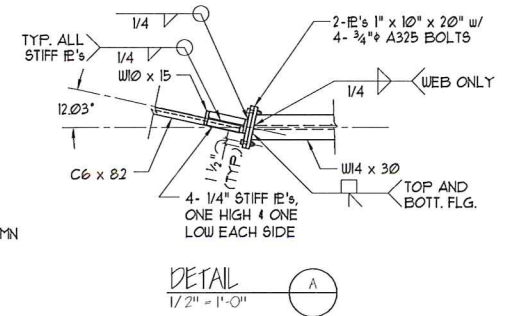
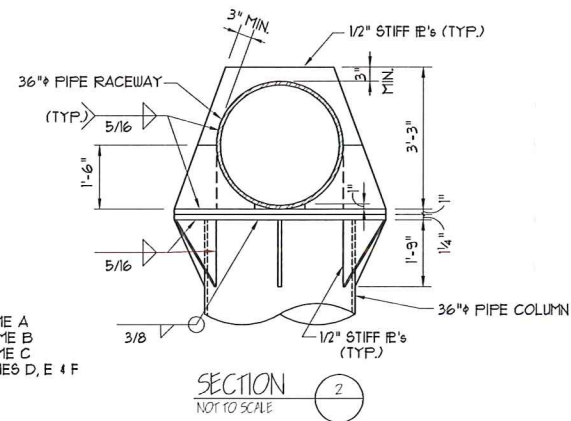
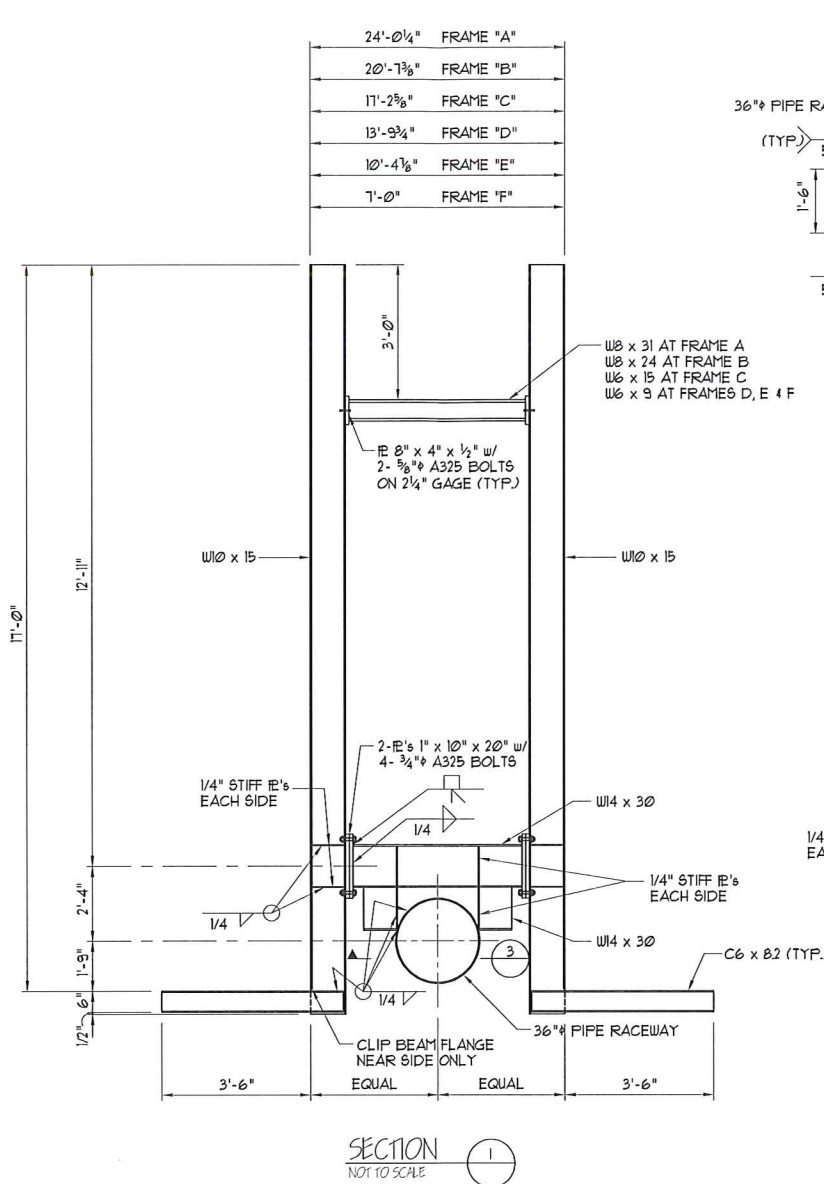
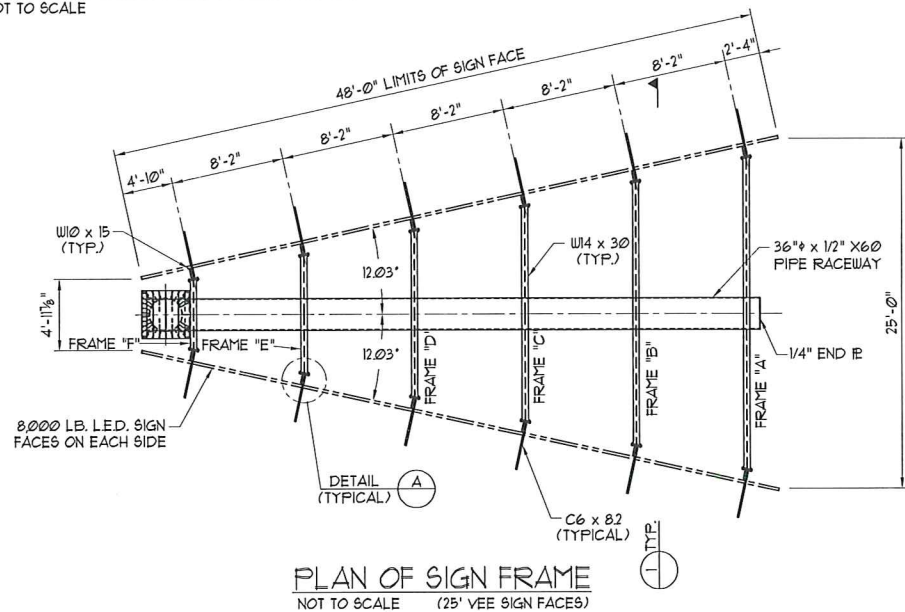


ELEVATION OF SIGN FRAME  
NOT TO SCALE

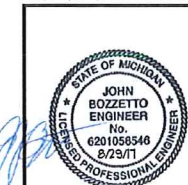


NOTES:

- ALL BOLTS 3/4" A325 GALVANIZED UNO.
- CONCRETE STANDARD WEIGHT 3000 P.S.I. @ 28 DAYS COMPRESSIVE STRENGTH.
- DESIGN WIND LOAD 105 MPH, EXPOSURE "C" PER 2012 INTERNATIONAL BUILDING CODE.
- ALL STEEL SHALL BE A.S.T.M. A36 UNLESS NOTED. (WIDE FLANGES SHALL BE A992-50).
- MAXIMUM SIGN FACE AREA 672 SQUARE FEET. MAXIMUM APRON FACE AREA 144 SQUARE FEET.
- ALL WELDS SHALL BE MADE BY AN AWS. CERTIFIED WELDER USING E70 FILLER MATERIAL.
- MINIMUM LATERAL PASSIVE SOIL BEARING CAPACITY SHALL BE 400 P.S.F. PER FOOT OF DEPTH.

NOTE: THIS STRUCTURE IS FOR PERMITTING PURPOSES ONLY

B + F JOB NO. 11500011



OUTDOOR SPECIALIST, INC. Augusta, Georgia		
SIGN LOCATION: ROCHESTER HILLS, MICHIGAN		
scale : NOTED	revisions	by date
date : 8/29/17		
drawn : TED		
ckd. : TFL		
SIGN FRAME #3392-OS1		