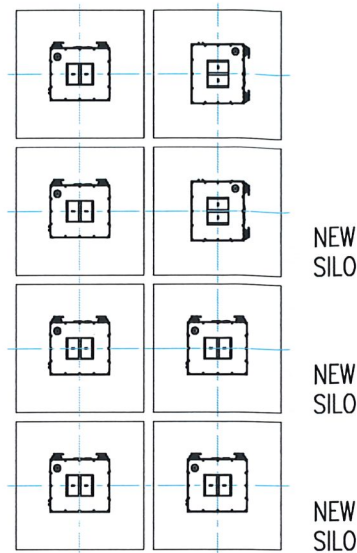
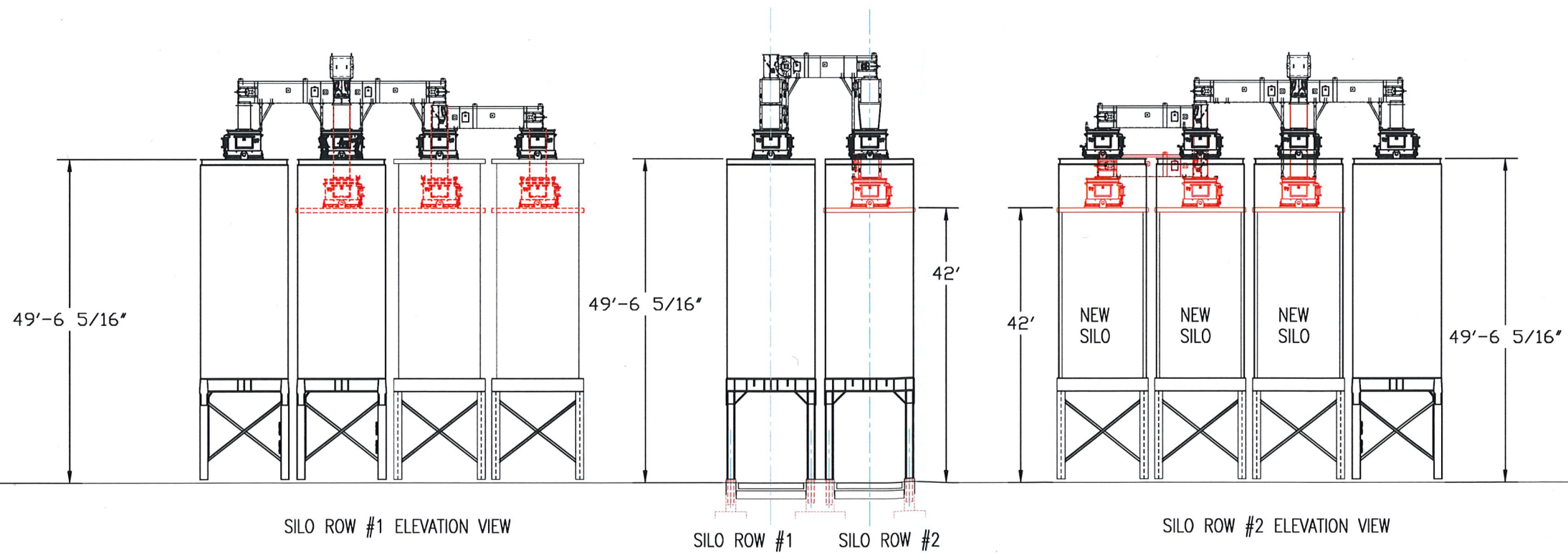


**RED LINES DEPICT
HYPOTHETICAL VIEW SHOWING
42' SILOS (LESS THAN 200 TON
CAPACITY). VERTICAL
SKYLINE PROFILE DOES NOT
CHANGE REGARDLESS OF NEW
SILO HEIGHT.**

SILO ROW #1 SILO ROW #2



PLAN VIEW



SILO ROW #1 ELEVATION VIEW

SILO ROW #1 SILO ROW #2

END VIEW

SILO ROW #2 ELEVATION VIEW

CWMF CUSTOM WELDING & METAL FABRICATING, INC.
701 JULEP ROAD • WAITE PARK, MN 56387-1863 • PH:320/251-1306 FX:320/251-3037

TOLERANCES UNLESS OTHERWISE SPECIFIED 0 ± .020 .00 ± .010 .000 ± .005 ANGLES ±	DATE: 10/25/19 CHECKED BY: THICK SCALE: DRAWN BY: THICK	PART NAME: AJAX ROCHESTER HILLS PART NO: DWG. FILE: AJAX PAVING
--	--	--

NOTICE: THE INFORMATION CONTAINED HEREIN IS PROPRIETARY TO CUSTOM WELDING AND METAL FABRICATING AND SHALL NOT BE REPRODUCED OR DISCLOSED IN WHOLE OR IN PART, NOR USED FOR ANY DESIGN OR MANUFACTURING PURPOSE UNLESS AUTHORIZED IN WRITING BY CUSTOM WELDING AND METAL FABRICATING.