

**AMENDMENT NO. 3 TO WATER SERVICE CONTRACT
BETWEEN
GREAT LAKES WATER AUTHORITY
AND
NORTH OAKLAND COUNTY WATER AUTHORITY**

This Amendment Agreement No. 3 (“Amendment”) is made between the Great Lakes Water Authority, a municipal authority and public body corporate (“GLWA”), and the North Oakland County Water Authority, a municipal corporation (“Customer”). GLWA and Customer are collectively referred to as the “Parties”.

RECITALS

- a. GLWA leases, operates and maintains the public water supply system owned by the City of Detroit (“System”); and
- b. On July 1, 2015, the Parties entered into a Water Service Contract (“Contract”) reflecting the terms and conditions governing the delivery and purchase of potable water, as subsequently amended and assigned; and
- c. Article 15 of the Contract permits the Parties to amend the Contract by mutual agreement; and
- d. Through the One Water Partnership, GLWA customer members requested that GLWA undertake an effort to place all customers on the same periodic contract review schedule (“Reopener Schedule”) to assist in reducing, as much as practicable, volatility in customer charges; and
- e. GLWA agreed to devise a contract alignment process (“CAP”) which would result in all model contracts being reopened on a four-year schedule beginning in calendar year 2022 and every four years thereafter; and
- f. The CAP requires that, regardless of Customer’s current Reopener Schedule, that Customer’s Contract be amended in calendar year 2018; and
- g. In consideration of the mutual undertakings of the Parties and for the benefit of the public, it is the mutual desire of the Parties to enter into this Amendment to amend the Contract as set out in detail in the following sections; and

ACCORDINGLY, THE PARTIES AGREE AS FOLLOWS:

1. Section 5.07 of the Contract is deleted in its entirety and replaced with the following:

5.07 Periodic Review and Reopener. For Customer and System planning purposes and, regarding the Minimum Annual Volume, enforcement of the provisions of Article 3, Maximum Flow Rates, Pressure Ranges, Projected Annual Volumes and Minimum Annual Volumes (collectively, “Values”) shall be established by mutual agreement for the Contract Term. As of calendar year 2018, the Parties shall review the Values in calendar year 2022 and every four years thereafter for the Contract Term and any renewal terms (each review year a “Reopener Year”, and collectively the Reopener Years comprising the “Reopener

Schedule”). However, if Customer executes the Contract more than two years before the next Reopener Year, then the Reopener Schedule set forth in bold type in Exhibit B, Table 2, shall be modified and shown to permit one additional Reopener Year prior to the next Reopener Year in the Reopener Schedule. The Values shall be contractually binding between each Reopener Year. If the Parties do not negotiate Values according to the Reopener Schedule, then the Values established for planning purposes (as shown in italicized type in Exhibit B) shall become contractually binding until the next Reopener Year.

2. Exhibit A of the Contract is amended by deleting in its entirety the existing Exhibit A and substituting the attached Exhibit A in its place.
3. Exhibit B of the Contract is amended by deleting in its entirety the existing Exhibit B and substituting the attached Exhibit B in its place.
4. With the exception of the provisions of the Contract specifically contained in this Amendment, all other terms, conditions and covenants contained in the Contract shall remain in full force and effect and as set forth in the Contract.
5. This Amendment to the Contract shall be effective and binding upon the Parties when it is signed and acknowledged by the duly authorized representatives of both Parties, and is approved by Customer’s governing body and the GLWA Board of Directors.

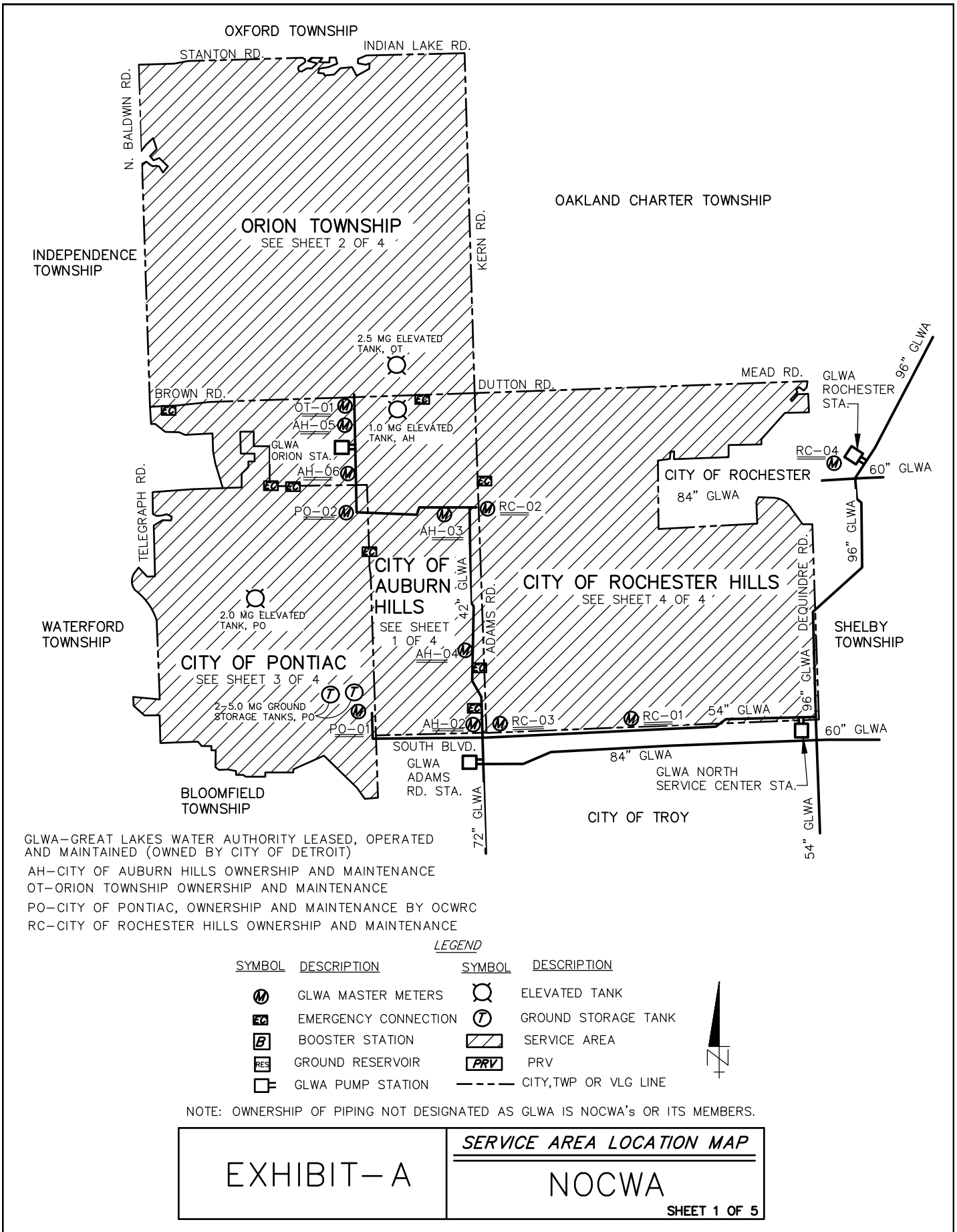
(Signatures appear on next page)

EXHIBIT A

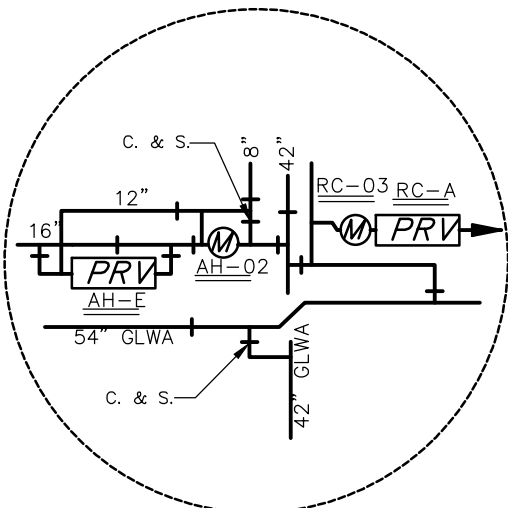
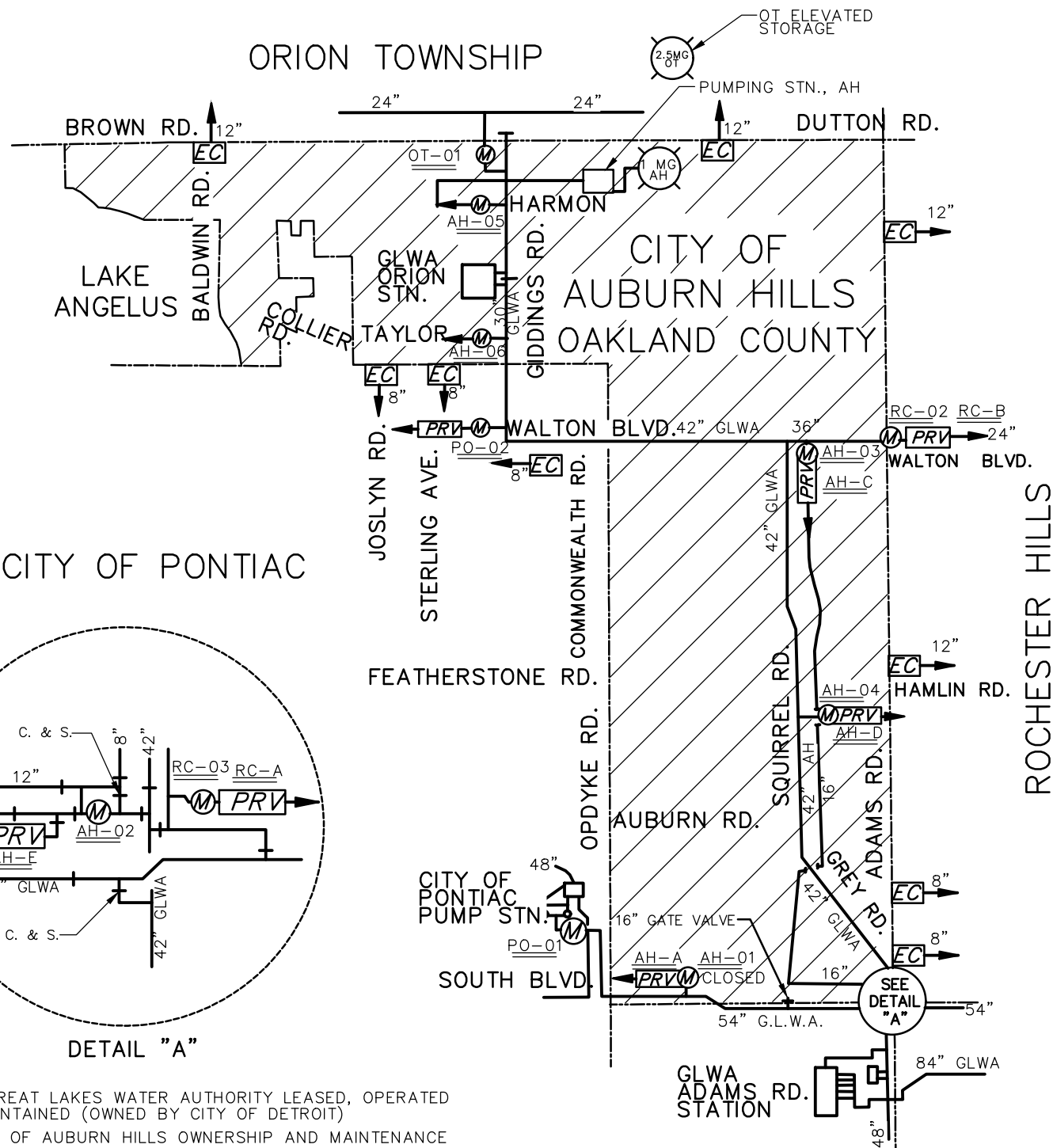
Customer's Water Distribution Points

This Exhibit contains the following information:

1. The corporate limits of Customer;
2. The agreed upon water Service Area of Customer which (a) may or may not be entirely within the corporate limits of Customer and (b) which may or may not include the entire area within the Customer's corporate limits;
3. The specific location of the Water Distribution Points, including any Board approved emergency connections;
4. The designation of appurtenances to be maintained by Customer and those to be maintained by the Board; and
5. A list of any closed meter locations.



ORION TOWNSHIP



DETAIL "A"

GLWA—GREAT LAKES WATER AUTHORITY LEASED, OPERATED AND MAINTAINED (OWNED BY CITY OF DETROIT)
 AH—CITY OF AUBURN HILLS OWNERSHIP AND MAINTENANCE
 OT—ORION TOWNSHIP OWNERSHIP AND MAINTENANCE
 PO—CITY OF PONTIAC, OWNERSHIP AND MAINTENANCE BY OCWRC
 RC—CITY OF ROCHESTER HILLS OWNERSHIP AND MAINTENANCE

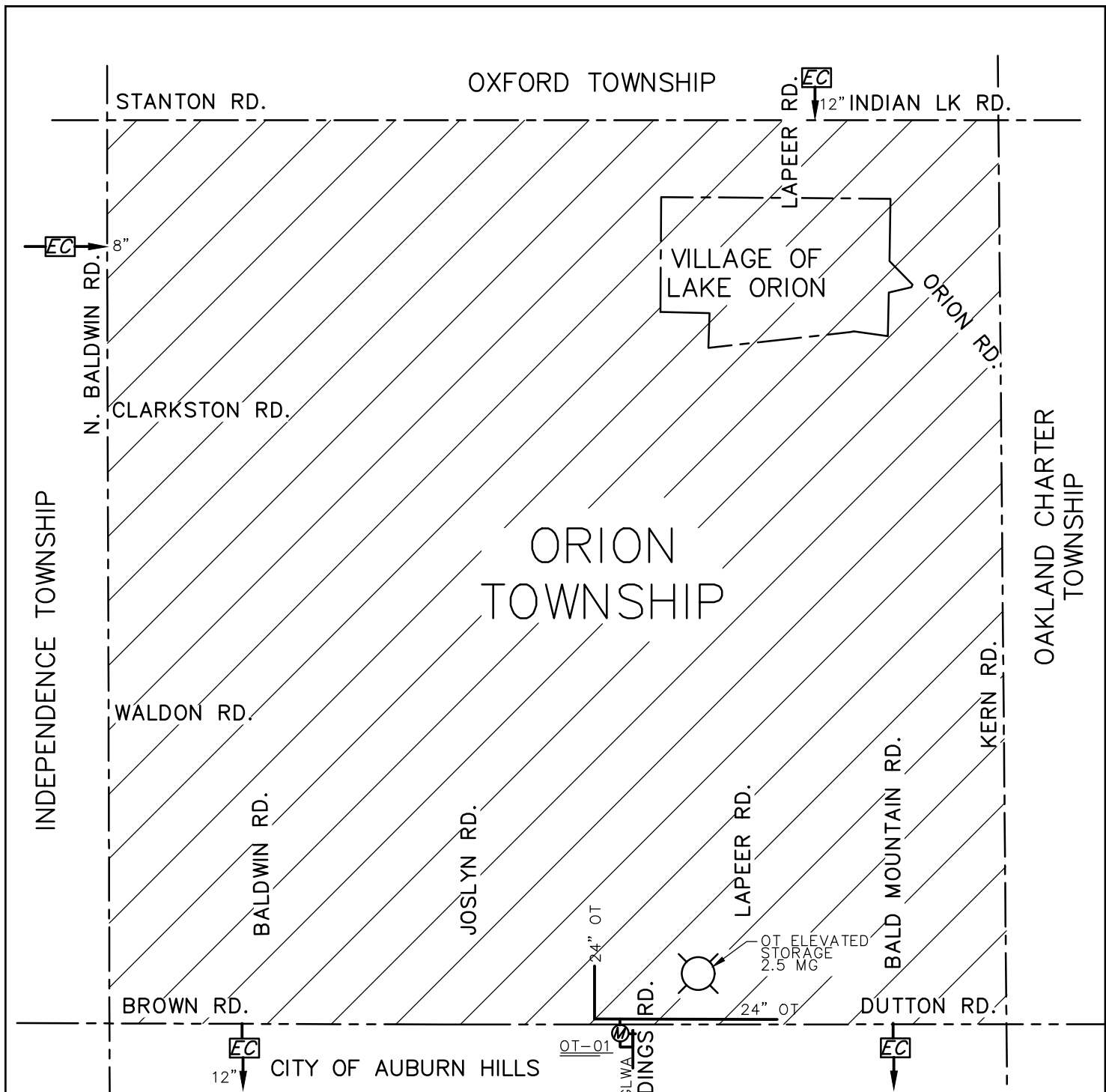
LEGEND		LEGEND	
SYMBOL	DESCRIPTION	SYMBOL	DESCRIPTION
	GLWA METER PIT		SERVICE AREA
	PRV		CITY-TWP LINE
	ELEVATED TANK		CITY OR TWP LINE
			EMERGENCY CONNECTION

EXHIBIT-A

SERVICE AREA LOCATION MAP

NOCWA

SHEET 2 OF 5



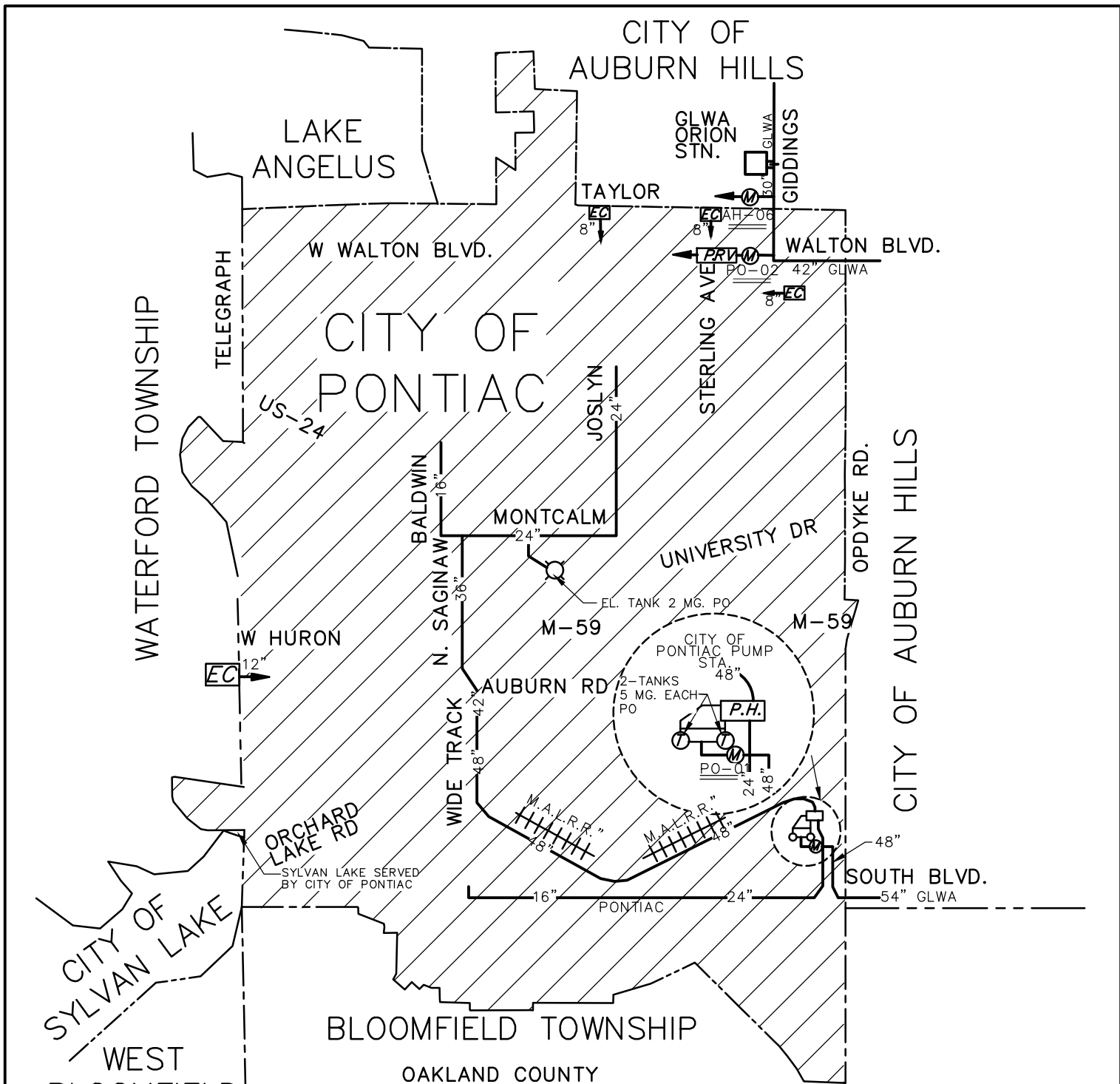
GLWA—GREAT LAKES WATER AUTHORITY LEASED, OPERATED AND MAINTAINED (OWNED BY CITY OF DETROIT)
 OT—ORION TOWNSHIP OWNERSHIP AND MAINTENANCE

LEGEND

SYMBOL	DESCRIPTION
	GLWA METER PIT
	PRV
	EMERGENCY CONNECTION
	ELEVATED TANK

SYMBOL	DESCRIPTION
	SERVICE AREA
	CITY-TWP LINE
	CITY, VILLAGE OR TWP LINE

EXHIBIT-A	<p><i>SERVICE AREA LOCATION MAP</i></p> <p>NOCWA</p> <p>SHEET 3 OF 5</p>
------------------	---



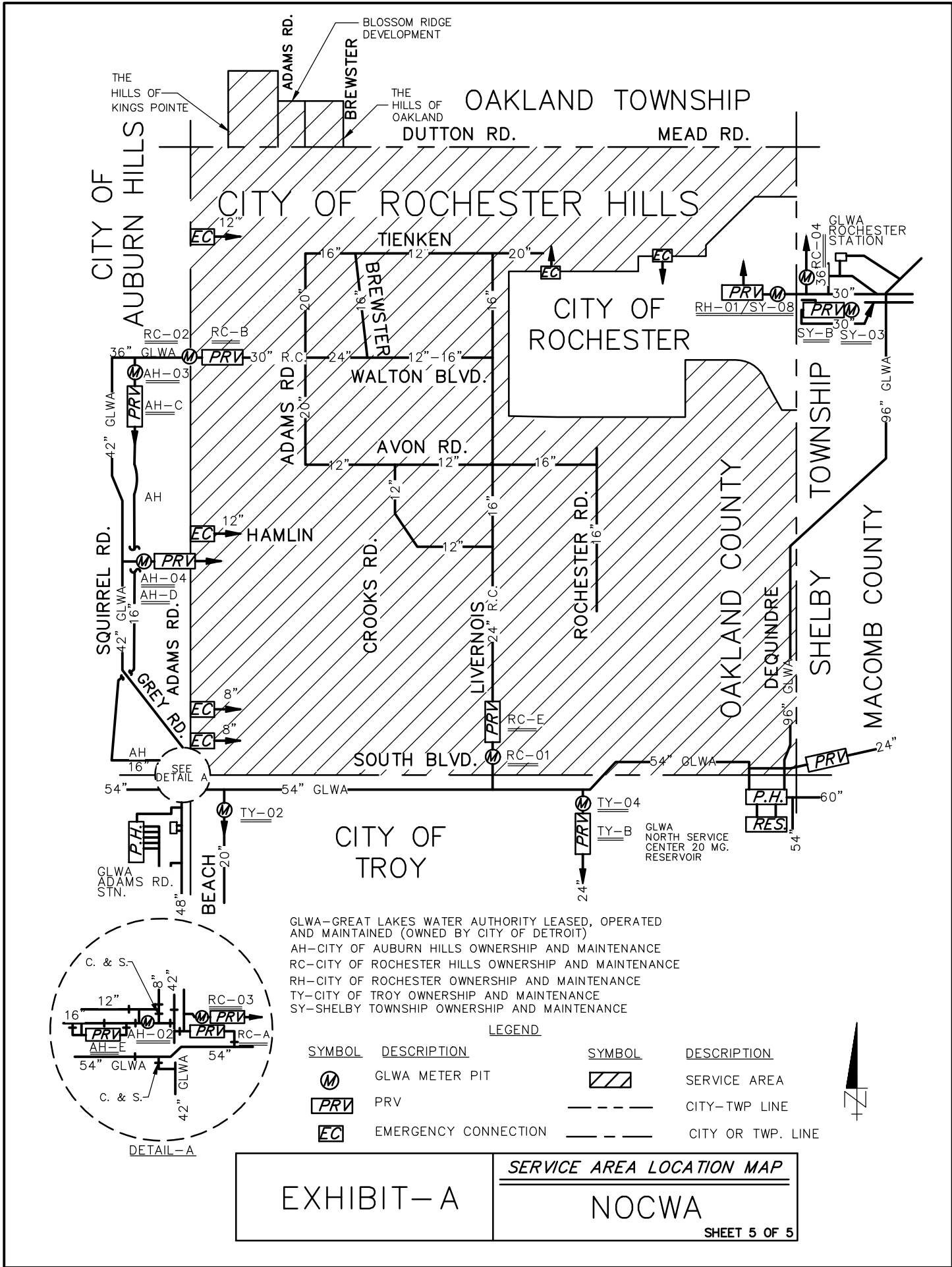
GLWA—GREAT LAKES WATER AUTHORITY LEASED, OPERATED AND MAINTAINED (OWNED BY CITY OF DETROIT)
 AH—CITY OF AUBURN HILLS OWNERSHIP AND MAINTENANCE
 OT—ORION TOWNSHIP OWNERSHIP AND MAINTENANCE

LEGEND

SYMBOL	DESCRIPTION	SYMBOL	DESCRIPTION
	EMERGENCY CONNECTION		GROUND STORAGE TANK
	GLWA METER PIT		CITY OR TWP LINE
	PRV		CITY-TWP LINE
	ELEVATED TANK		SERVICE AREA



EXHIBIT—A	<p><i>SERVICE AREA LOCATION MAP</i></p> <p>NOCWA</p> <p>SHEET 4 OF 5</p>
-----------	---



GLWA—GREAT LAKES WATER AUTHORITY LEASED, OPERATED AND MAINTAINED (OWNED BY CITY OF DETROIT)
 AH—CITY OF AUBURN HILLS OWNERSHIP AND MAINTENANCE
 RC—CITY OF ROCHESTER HILLS OWNERSHIP AND MAINTENANCE
 RH—CITY OF ROCHESTER OWNERSHIP AND MAINTENANCE
 TY—CITY OF TROY OWNERSHIP AND MAINTENANCE
 SY—SHELBY TOWNSHIP OWNERSHIP AND MAINTENANCE

LEGEND

SYMBOL	DESCRIPTION	SYMBOL	DESCRIPTION
	GLWA METER PIT		SERVICE AREA
	PRV		CITY-TWP LINE
	EMERGENCY CONNECTION		CITY OR TWP. LINE

EXHIBIT-A

SERVICE AREA LOCATION MAP

NOCWA

SHEET 5 OF 5

EXHIBIT A

City of Auburn Hills Emergency Connections:

Connections to City of Pontiac

8" GV&W south of the intersections at Collier Road and Joslyn Road

8" GV&W at the intersection of Collier Road and Stirling Ave.

8" GV&W located at 1842 Commonwealth

Connection to Orion Township

12" GV&W in the Baldwin Commons Shopping Center, west of Baldwin Road and south of Brown Road

12" GV&W 500 ft. east of the intersection of Dutton and Bald Mountain Roads

Connections to City of Rochester Hills

8" GV&W located at 3821 Adams Road

8" GV&W located at 3741 Adams Road

12" GV&W located at 3900 Hamlin Road

12" GV&W at 3990 W Tienken Road

Orion Township Emergency Connections:

Connection to Auburn Hills

12" GV&W in the Baldwin Commons Shopping Center, west of Baldwin Road and south of Brown Road

12" GV&W 500 feet east of the intersection of Dutton and Bald Mountain Roads

Connection to Oxford Township (Non-GLWA, well supply)

12" GV&W on Indian Lake Road at Lapeer Road

Connections to Independence Township (Non-GLWA)

8" GV&W located at Klais Road and Baldwin Road

City of Pontiac Emergency Connections:

Connections to Auburn Hills

8" GV&W south of the intersection of Collier Road and Joslyn Road

8" GV&W at the intersection of Collier Road and Stirling Avenue

8" GV&W at 1842 Commonwealth

Connection to Waterford Twp.

12" GV&W at the intersection of Telegraph and M-59

City of Rochester Hills Emergency Connections:

Connections to Auburn Hills

8" GV&W at 3821 Adams Road

8" GV&W 3741 Adams Road

12" GV&W at 3900 Hamlin
 12" GV&W at 3990 W Tienken Road

Connections to City of Rochester

Hydrant to hydrant connection at Cortland and Tienken
 12" GV&W at Paint Creek Trail and Tienken, near King's Cove

Connections to GLWA South Blvd. Transmission Main

16" GV connected to supply main of meter RC-01. To be operated only by GLWA staff.

City of Auburn Hills Water Customers Outside Corporate Limits:

Rochester Hills		
2727 South Adams Road	2731 South Adams Road	
Pontiac		
730 Collier	610 Collier	720 Collier
760 Collier	638 Collier	740 Collier
770 Collier	644 Collier	754 Collier
580 Collier	662 Collier	836 Collier
588 Collier	670 Collier	882 Collier
592 Collier	680 Collier	898 Collier
598 Collier	700 Collier	205 North Opdyke
602 Collier	710 Collier	1716 Joslyn

Orion Township Water Customers Outside Municipal Limits:

Grace Premier Senior Living along Lapeer Road to Orion Township

City of Pontiac Water Customers Outside Municipal Limits:

Bloomfield Twp.		
1015 Golf	1039 Golf	1960 Maward
1791 Orchard Lk	1803 Orchard Lk	1821 Orchard Lk
1843 Orchard Lk	1865 Orchard Lk	1950 Orchard Lk
1970 Orchard Lk	1975 Orchard Lk	1987 Orchard Lk
1991 Orchard Lk	1410 Telegraph S	1501 Telegraph S
691 Franklin	1782 Pontiac	1794 Pontiac
1400 Telegraph S (3 connections)	1415 Telegraph S (2 connections)	
City of Sylvan Lake		
345 Dick	346 Dick	351 Dick
910 James K	911 James K	915 James K
917 James K	919 James K	920 James K
929 James K	933 James K	937 James K
944 James K	949 James K	955 James K
958 James K	959 James K	964 James K
969 James K	975 James K	979 James K
985 James K	999 James K	362 Telegraph S
328 Telegraph		
Waterford Township		

1167 James K	1171 James K	1175 James K
1179 James K	2487 James K	2493 James K
2500 James K		

City of Rochester Hills Water Customers Outside Municipal Limits:

Oakland Township		
3500 Dutton	1374 Dutton	794 Dutton
3700 Dutton	1250 Dutton	788 Dutton
3300 Dutton	1780 Dutton	960 Dutton
1406 Dutton	5941 Southgate	5969 Southgate
5970 Paint Valley	685 Canyon	
Shelby Township		
50480 Dequindre	50960 Dequindre	49950 Dequindre
50870 Dequindre	50988 Dequindre	

Note: Subdivisions located in Oakland Township served by Rochester Hills are designated in Exhibit A Service Area Map and include The Hills of Oakland, The Hills of King Pointe, and Blossom Ridge.

City of Auburn Hills Master Meter(s) Not In Service:

AH-01

Orion Township Master Meter(s) Not In Service:

None.

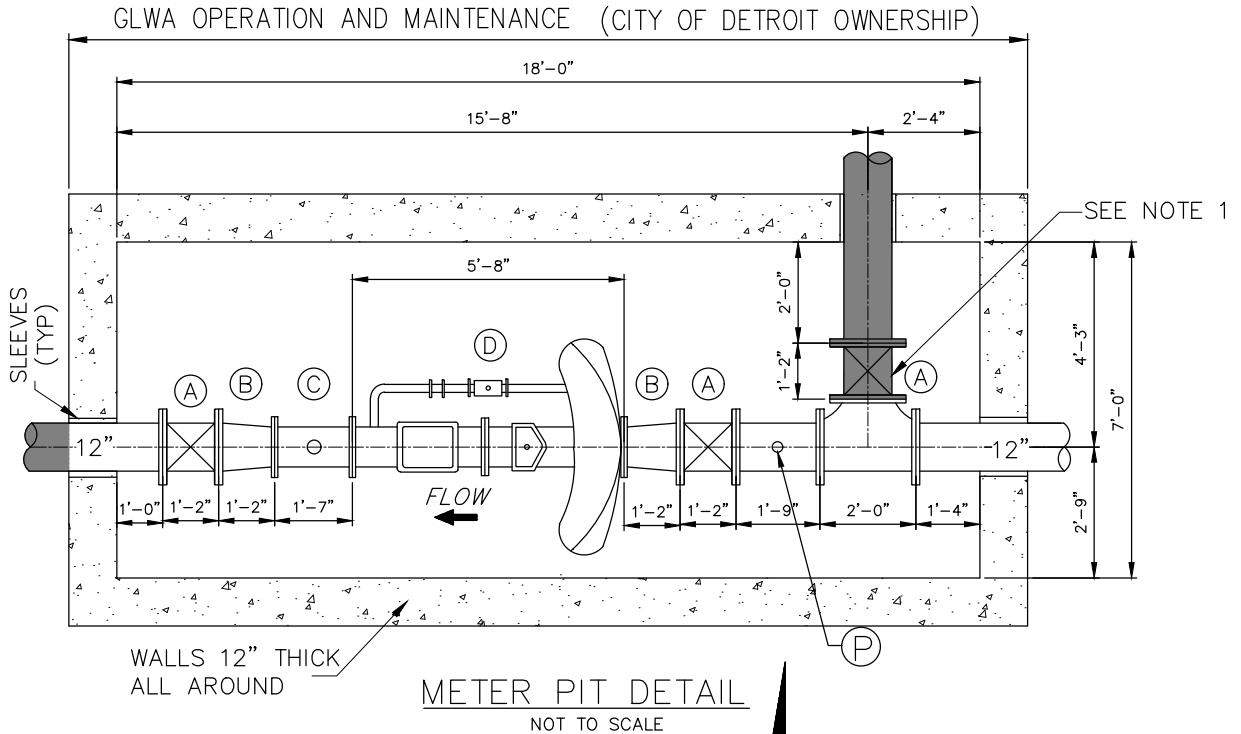
City of Pontiac Master Meter(s) Not In Service:

None.

City of Rochester Hills Master Meter(s) Not In Service:

None.

EXHIBIT-A
AH-02
SOUTH BLVD AND ADAMS RD.
CITY OF AUBURN HILLS



NOTE 1:
THIS VALVE IS NORMALLY CLOSED AND SHALL NOT BE OPERATED BY DWSD WITHOUT PERMISSION FROM AUBURN HILLS. THIS VALVE ISOLATES SERVICE AREA WITHOUT PRESSURE REDUCING FACILITIES. INADVERTENT OPERATION OF THIS VALVE CAN DAMAGE FACILITIES OF AUBURN HILLS.

Ⓟ - UPSTREAM PRESSURE TRANSMITTER, G.L.W.A. OPERATION & MAINTENANCE (CITY OF DETROIT OWNERSHIP)

■ AUBURN HILLS O&M

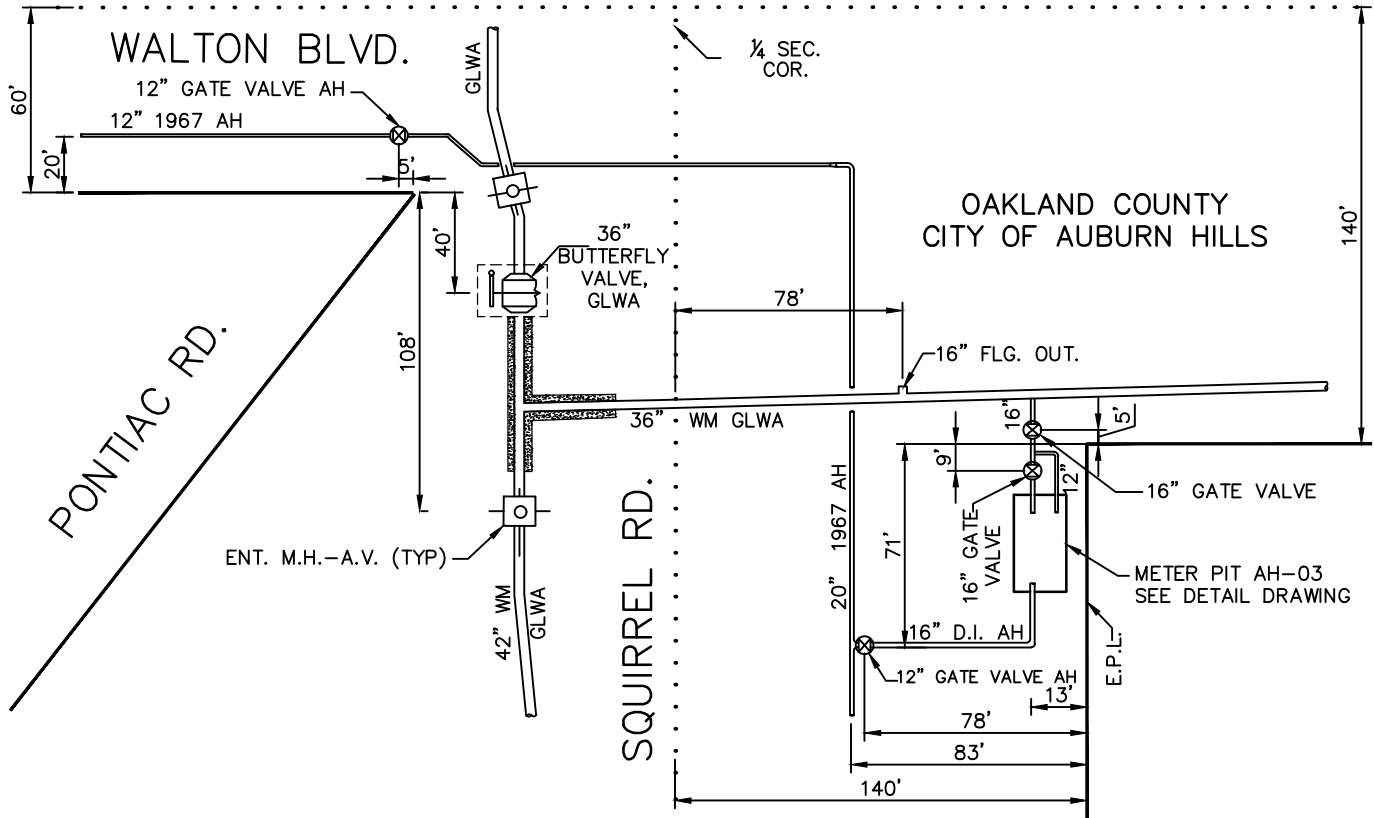
LEGEND			
TAG	QTY	DESCRIPTION	SIZE
A	3	GATE VALVE	12"
B	2	CONCENTRIC REDUCER	12" X 10"
C	1	TEST TEE WITH RESTRAINED FLANGE ADAPTER	10" X 3"
D	1	FIRELINE COMPACT METER W 6500	10" X 2"

TYPICAL PRESSURE LOSS THRU METER	
METER TYPE	P.S.I. LOSS
VENTURI	1 - 2
MAG	0
TURBINE	4 - 6

ADDRESS _____
 FEED TO _____ CITY OF AUBURN HILLS
 FEED FROM _____ GLWA TRANS. MAIN
 TYPE OF METER _____ SENSUS FIRELINE COMPACT METER
 SIZE OF METER _____ 10" X 2"
 METER NUMBER _____ 1584560
 DATE METER SET _____ 04/18/1966
 METER PIT CONST & SIZE _____ REINFORCED CONCRETE 18'-0" X 7'-0" I.D.
 GATE BOOK No _____ N-1103
 REMARKS _____



EXHIBIT-A AH-03 WALTON AND SQUIRREL RD. CITY OF AUBURN HILLS



AH - AUBURN HILLS
OWNERSHIP AND MAINTENANCE

GLWA- GREAT LAKES WATER AUTHORITY
OPERATION AND MAINTENANCE
(CITY OF DETROIT OWNERSHIP)

LOCATIONS SUBJECT TO
VERIFICATION IN THE FIELD.

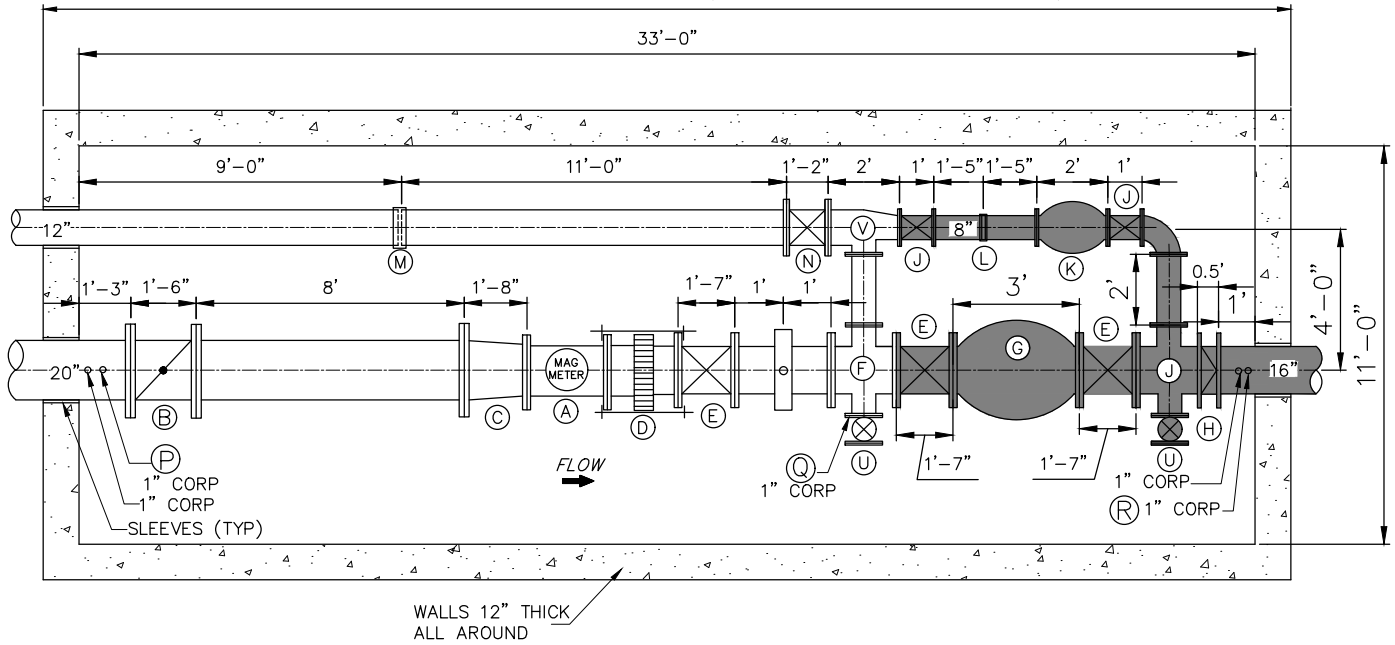
SITE PLAN
NOT TO SCALE



AH
03

EXHIBIT-A AH-03 WALTON AND SQUIRREL RD. CITY OF AUBURN HILLS

GLWA OPERATION AND MAINTENANCE (CITY OF DETROIT OWNERSHIP)



AUBURN HILLS O&M

METER PIT DETAIL
NOT TO SCALE



GLWA-GREAT LAKES WATER AUTHORITY

LEGEND			
TAG	QTY	DESCRIPTION	SIZE
A	1	MAG METER	16"
B	1	BUTTERFLY VALVE	20"
C	1	REDUCER	20"x16"
D	1	MECHANICAL COUPLING	16"
E	3	CCW GATE VALVE	16"
F	1	FITTING	16"x16"x12"x8"
G	1	PRESSURE REDUCING VALVE	16"
H	1	CHECK VALVE	16"
J	2	CCW GATE VALVE	8"
K	1	PRESSURE REDUCING VALVE	8"
L	1	COUPLING	8"
M	1	COUPLING	12"
N	1	CCW GATE VALVE	12"
U	2	BALL VALVE	2"
V	1	TEE	12"x12"x8"

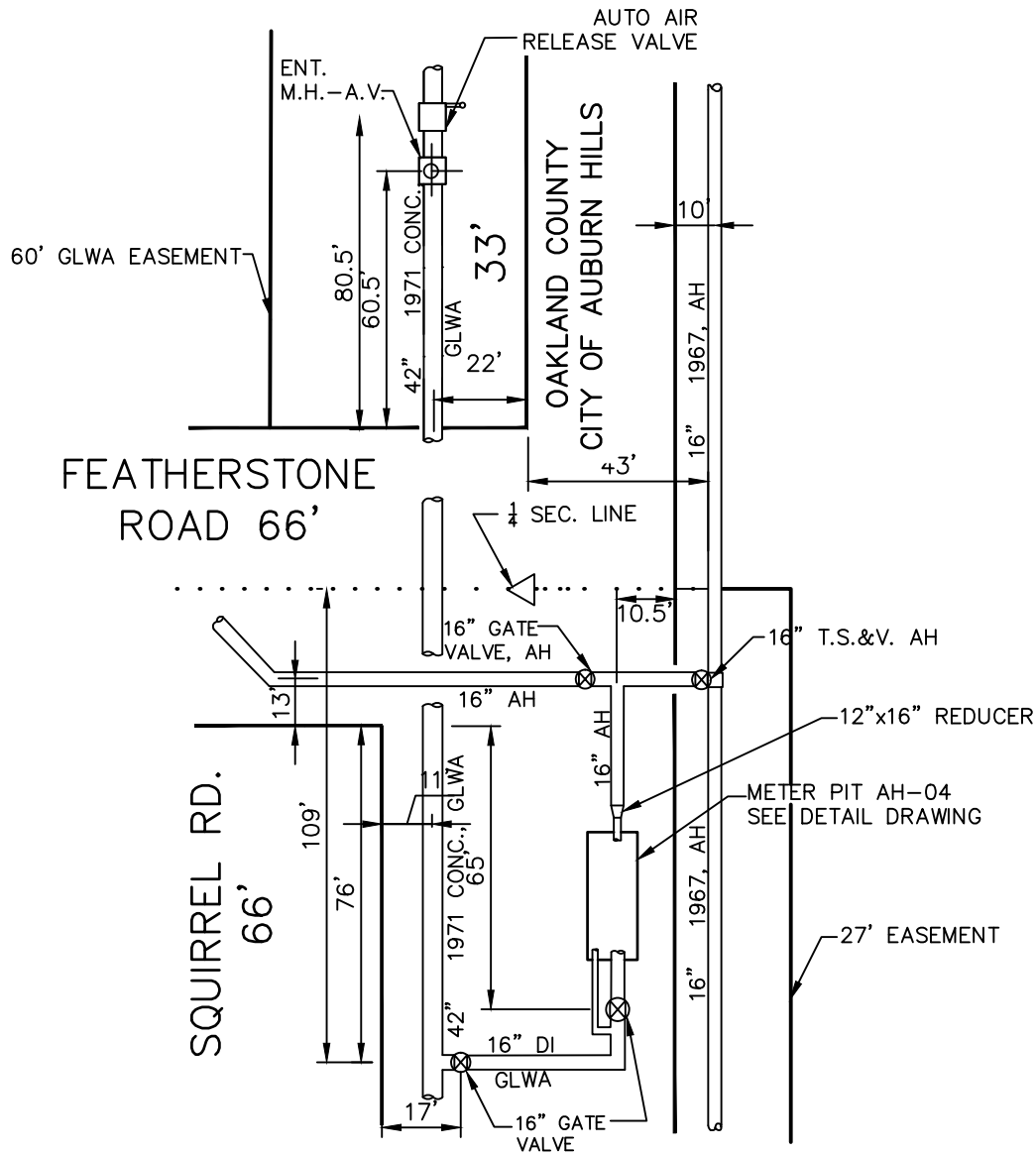
TYPICAL PRESSURE LOSS THRU METER	
METER TYPE	P.S.I. LOSS
VENTURI	1 - 2
MAG	0
TURBINE	4 - 6

- Ⓟ-UPSTREAM PRESSURE TRANSMITTER, G.L.W.A. OPERATION & MAINTENANCE (CITY OF DETROIT OWNERSHIP)
- Ⓠ-OTHER PRESSURE TRANSMITTER, G.L.W.A. OPERATION & MAINTENANCE (CITY OF DETROIT OWNERSHIP)
- Ⓡ-OTHER PRESSURE TRANSMITTER, G.L.W.A. OPERATION & MAINTENANCE (CITY OF DETROIT OWNERSHIP)

ADDRESS..... 3990 WALTON BLVD.
 FEED TO..... CITY OF AUBURN HILLS
 FEED FROM..... 42" GLWA TRANS. MAIN
 TYPE OF METER..... ABB, MAGMETER
 SIZE OF METER..... 16"
 METER NUMBER..... 3K620000015287
 DATE METER SET..... 25 MAR 2010
 METER PIT CONST & SIZE..... REINFORCED CONCRETE 33' X 11' I.D.



EXHIBIT-A AH-04 FEATHERSTONE RD. AND SQUIRREL RD. CITY OF AUBURN HILLS



AH - AUBURN HILLS
OWNERSHIP AND MAINTENANCE

GLWA- GREAT LAKES WATER AUTHORITY
OPERATION AND MAINTENANCE
(CITY OF DETROIT OWNERSHIP)

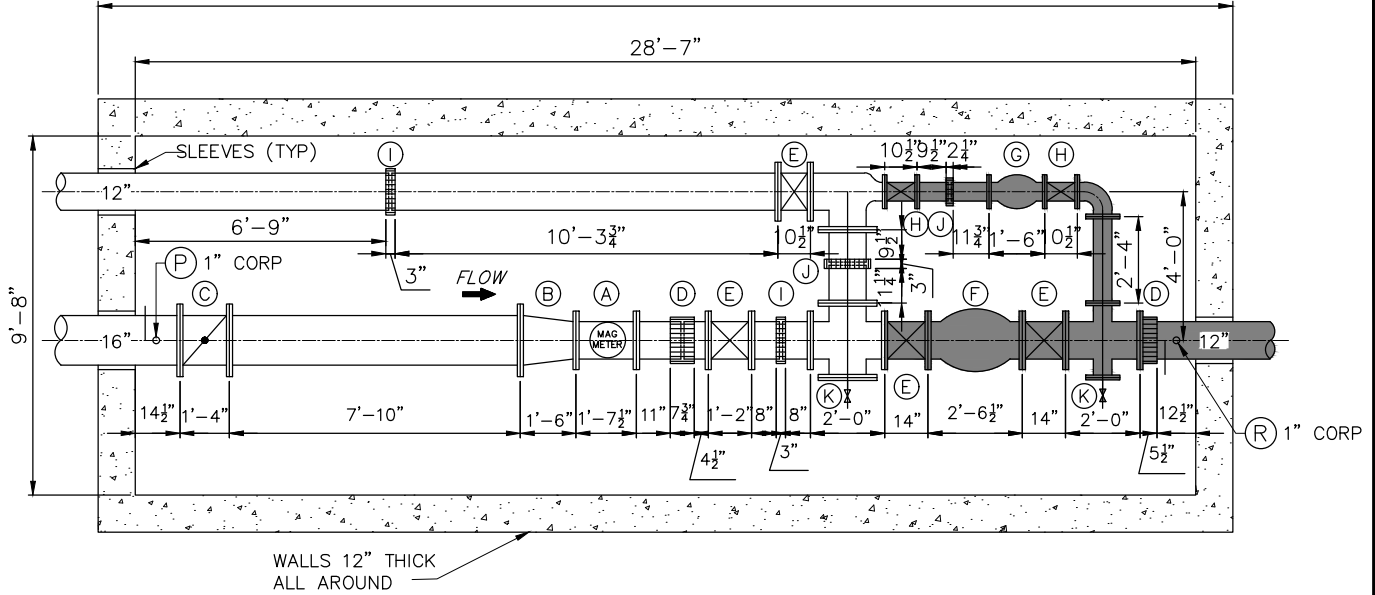
SITE PLAN
NOT TO SCALE

LOCATIONS SUBJECT TO
VERIFICATION IN THE FIELD.



EXHIBIT-A
AH-04
FEATHERSTONE RD. AND SQUIRREL
RD. CITY OF AUBURN HILLS

GLWA OPERATION AND MAINTENANCE (CITY OF DETROIT OWNERSHIP)



AUBURN HILLS O&M
GLWA-GREAT LAKES WATER AUTHORITY

METER PIT DETAIL +Z
NOT TO SCALE

LEGEND			
TAG	QTY	DESCRIPTION	SIZE
A	1	ABB MAG METER	12"
B	1	REDUCER	16"X12"
C	1	BUTTERFLY VALVE (ORIFICE PLATE)	16"
D	2	COUPLING - MECHANICAL	12"
E	4	GATE VALVE (CCW TO OPEN)	12"
F	1	PRESSURE REDUCING VALVE	12"
G	1	PRESSURE REDUCING VALVE	6"
H	2	GATE VALVE (CCW TO OPEN)	6"
I	2	COUPLING	12"
J	2	COUPLING	6"
K	2	GATE VALVE	2"

TYPICAL PRESSURE LOSS THRU METER	
METER TYPE	P.S.I. LOSS
VENTURI	1 - 2
MAG	0
TURBINE	4 - 6

(P) - UPSTREAM PRESSURE TRANSMITTER, G.L.W.A. OPERATION & MAINTENANCE (CITY OF DETROIT OWNERSHIP)

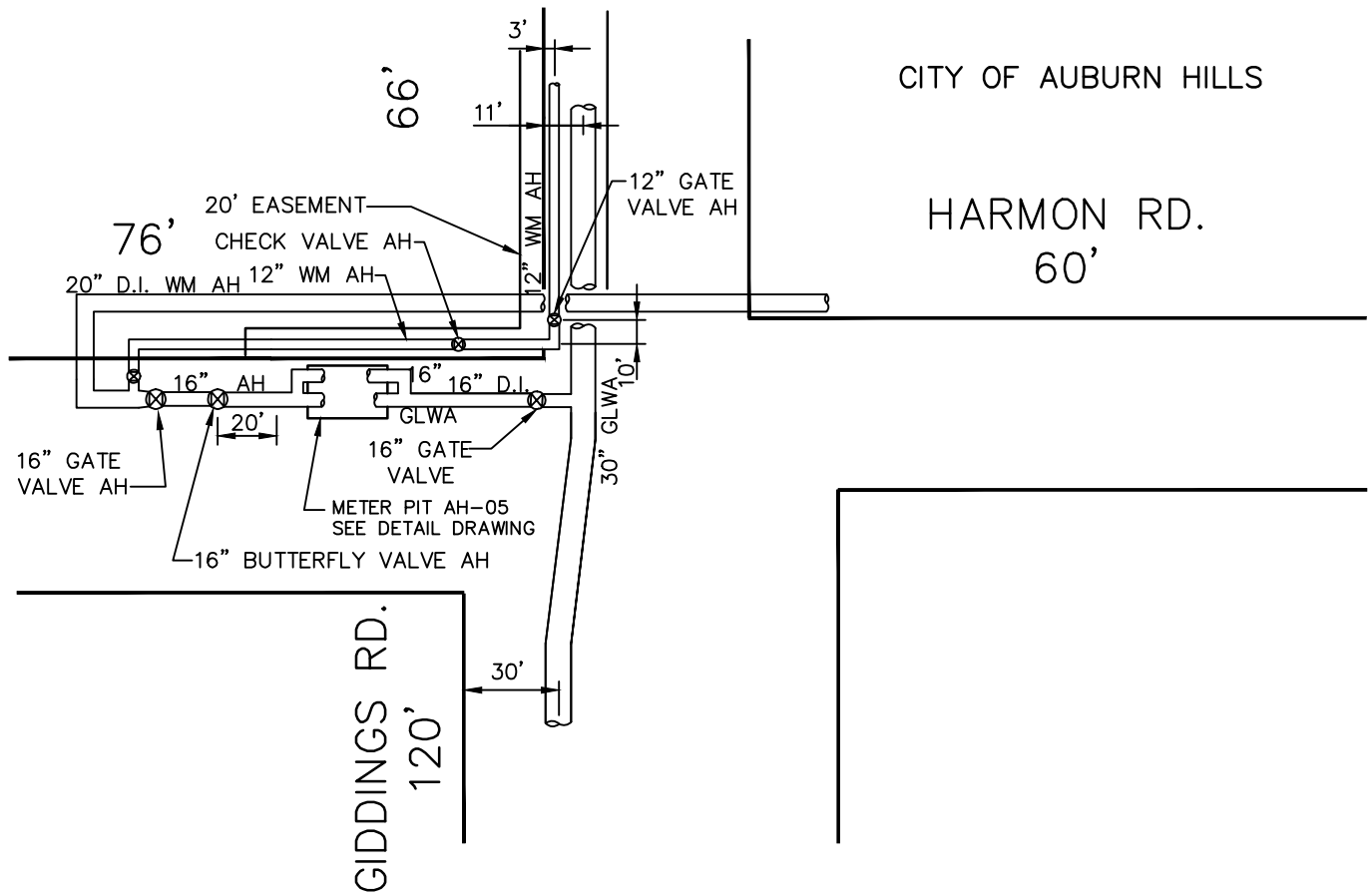
(R) - OTHER PRESSURE TRANSMITTER, G.L.W.A. OPERATION & MAINTENANCE (CITY OF DETROIT OWNERSHIP)

AUBURN HILLS ALSO HAS PRESSURE TRANSMITTERS AT THESE LOCATIONS.

ADDRESS _____
 FEED TO _____ CITY OF AUBURN HILLS
 FEED FROM _____ 42" GLWA TRANS. MAIN
 TYPE OF METER _____ ABB MAGMETER
 SIZE OF METER _____ 12"
 METER NUMBER _____ 3K620000017977
 DATE METER SET _____ NOVEMBER 24, 2009
 METER PIT CONST & SIZE _____ 28'-5" X 9'-8" I.D. REINF. CONC.
 GATE BOOK No _____ N-1169
 REMARKS _____ WS-197-13 F.B. 1973-A-19 & 20



EXHIBIT-A AH-05 HARMON RD. AND GIDDINGS RD. CITY OF AUBURN HILLS



SITE PLAN
NOT TO SCALE



AH - AUBURN HILLS
OWNERSHIP AND MAINTENANCE

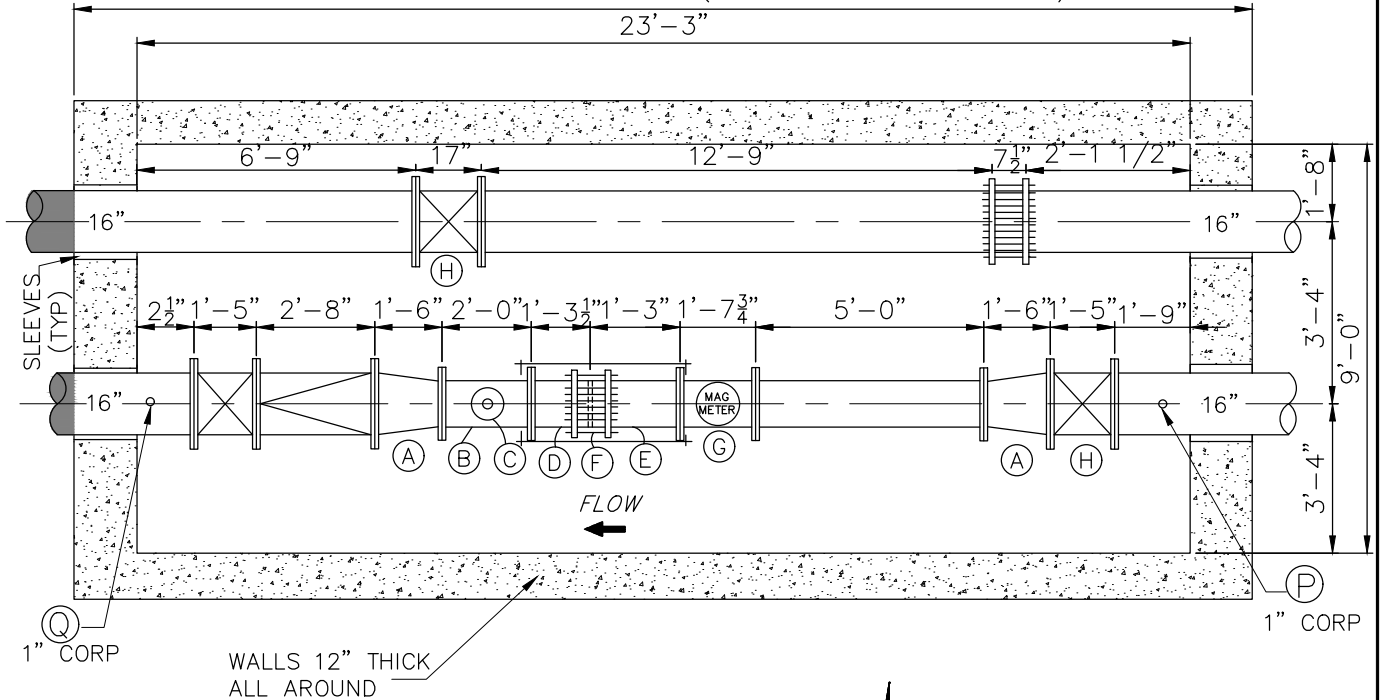
GLWA- GREAT LAKES WATER AUTHORITY
OPERATION AND MAINTENANCE
(CITY OF DETROIT OWNERSHIP)

LOCATIONS SUBJECT TO
VERIFICATION IN THE FIELD.



EXHIBIT-A
AH-05
HARMON RD. AND GIDDINGS RD.
CITY OF AUBURN HILLS

GLWA OPERATION AND MAINTENANCE (CITY OF DETROIT OWNERSHIP)



METER PIT DETAIL
NOT TO SCALE

█ AUBURN HILLS O&M
GLWA-GREAT LAKES WATER AUTHORITY

LEGEND			
TAG	QTY	DESCRIPTION	SIZE
A	2	FLGD. CONCENTRIC REDUCERS, D.I. 18'	16 X 12"
B	1	FLGD. TEST TEE, D+1, 12" C-F	12" X 4"
C	1	TEST TEE ASSEMBLY w/ 3" X 9" O.D. COMPANION FLANGE	-
D	1	F-PE PIPE, GADR, D.I.	12" x 1'-3 1/2"
E	1	F-PE PIPE, GADR, D.I.	12" X 1'-3"
F	1	'DRESSER STYLE' PIPE COUPLING	12"
G	1	FLGD. MAGNETIC FLOWMETER, 19.75" F-F	12"
H	3	GATE VALVES	16"

TYPICAL PRESSURE LOSS THRU METER	
METER TYPE	P.S.I. LOSS
VENTURI	1 - 2
MAG	0
TURBINE	4 - 6

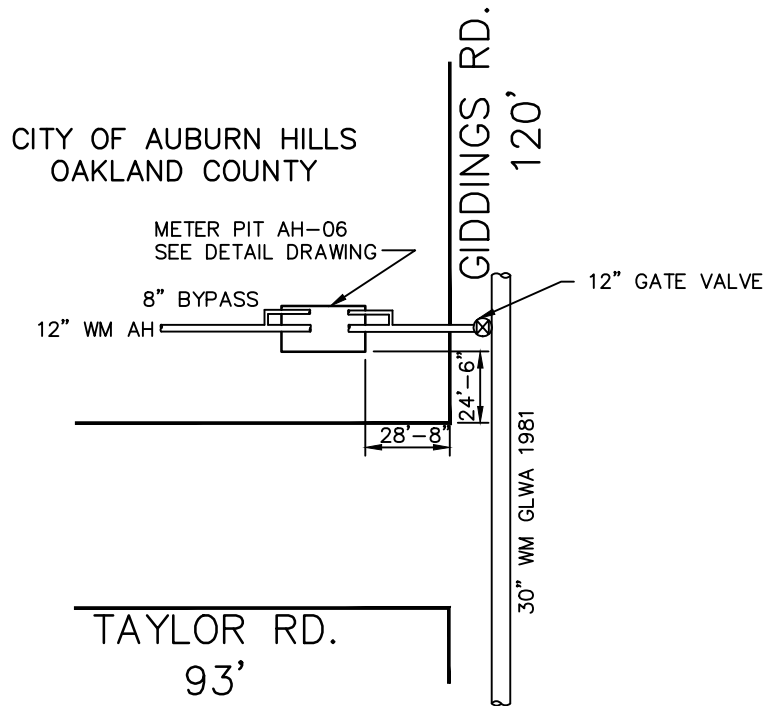
- Ⓟ-UPSTREAM PRESSURE TRANSMITTER, G.L.W.A. OPERATION & MAINTENANCE (CITY OF DETROIT OWNERSHIP)
- Ⓡ-DOWNSTREAM PRESSURE TRANSMITTER, G.L.W.A. OPERATION & MAINTENANCE (CITY OF DETROIT OWNERSHIP)

AUBURN HILLS ALSO HAS PRESSURE TRANSMITTERS AT THESE LOCATIONS.

ADDRESS _____ 1750 HARMON
 FEED TO _____ CITY OF AUBURN HILLS
 FEED FROM _____ 30" GLWA W.M.
 TYPE OF METER _____ ABB MAG
 SIZE OF METER _____ 12"
 METER NUMBER _____ V133112 / 1 / 1
 DATE METER SET _____ 8/20/2002
 METER PIT CONST & SIZE _____ 23'-3" X 9'-0" I.D. REINF. CONC.
 SECTION MAP No. _____ 10-10
 GATE BOOK No. _____ N-1589
 REMARKS _____ UPDATED 11/03



EXHIBIT-A
 AH-06
 TAYLOR AND GIDDINGS RD.
CITY OF AUBURN HILLS



AH - AUBURN HILLS
 OWNERSHIP AND MAINTENANCE
 GLWA- GREAT LAKES WATER AUTHORITY
 OPERATION AND MAINTENANCE
 (CITY OF DETROIT OWNERSHIP)

SITE PLAN
 NOT TO SCALE

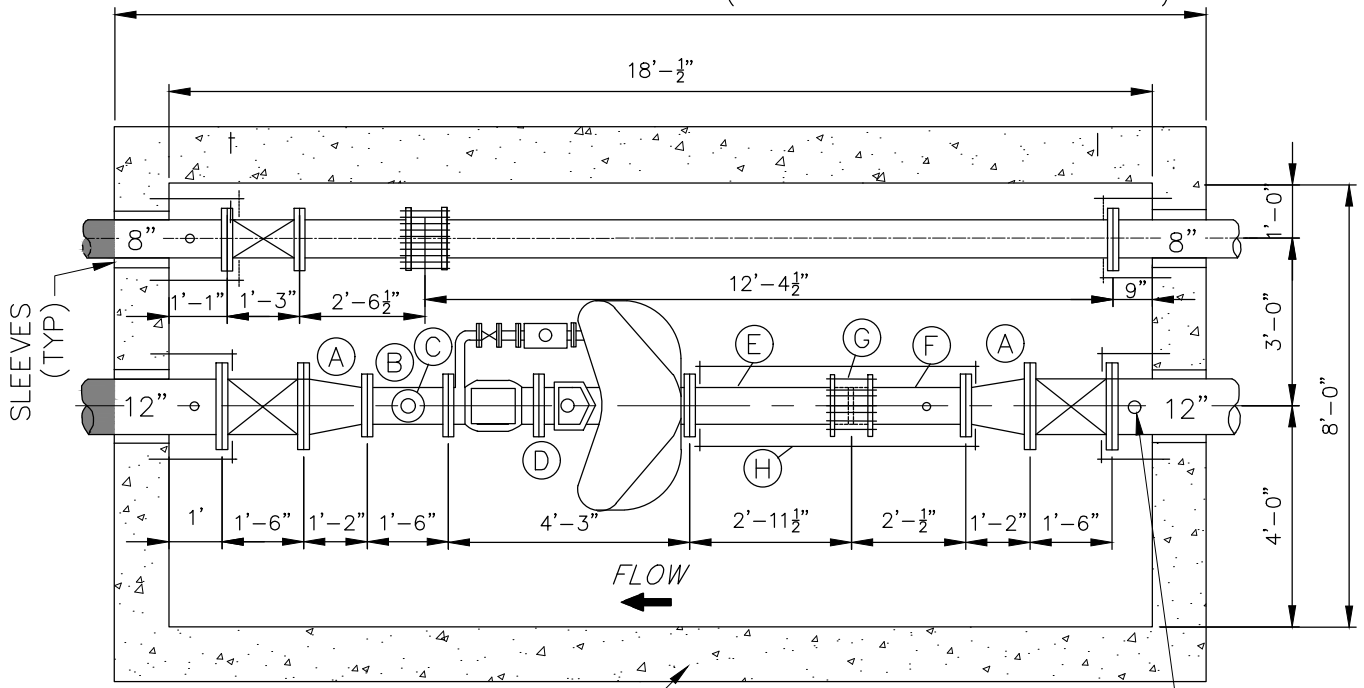


LOCATIONS SUBJECT TO
 VERIFICATION IN THE FIELD.



EXHIBIT-A
AH-06
TAYLOR AND GIDDINGS RD.
CITY OF AUBURN HILLS

GLWA OPERATION AND MAINTENANCE (CITY OF DETROIT OWNERSHIP)



WALLS 12" THICK
ALL AROUND

METER PIT DETAIL
NOT TO SCALE

■ AUBURN HILLS O&M

LEGEND			
TAG	QTY	DESCRIPTION	SIZE
A	2	FLGD. CONCENTRIC REDUCERS, D.D. 14" F-F	12" x 8"
B	1	FLGD. TEST TEE, D.I. 9" C-F	8" X 3"
C	1	TEST TEE ASSEMBLY W/ 3" COMPANION FLANGE	-
D	1	FLGD. SENSUS FIRELINE METER. W5500, 90" F-F	8"
E	1	F-PE PIPE, CADR, D.I.	8" X 2'-11"
F	1	F-PE PIPE, W/1" TAP FOR CORP. STOP, GADR, D.I.	8" X 2"
G	1	'DRESSER STYLE' PIPE COUPLING	8"
H	LOT	COUPLING RESTRAINT: [4] 63" LONG THRD. RODS, [8] EAR PLATES	3/4"

TYPICAL PRESSURE LOSS THRU METER	
METER TYPE	P.S.I. LOSS
VENTURI	1 - 2
MAG	0
TURBINE	4 - 6

(P) -UPSTREAM PRESSURE TRANSMITTER, G.L.W.A. OPERATION & MAINTENANCE (CITY OF DETROIT OWNERSHIP)

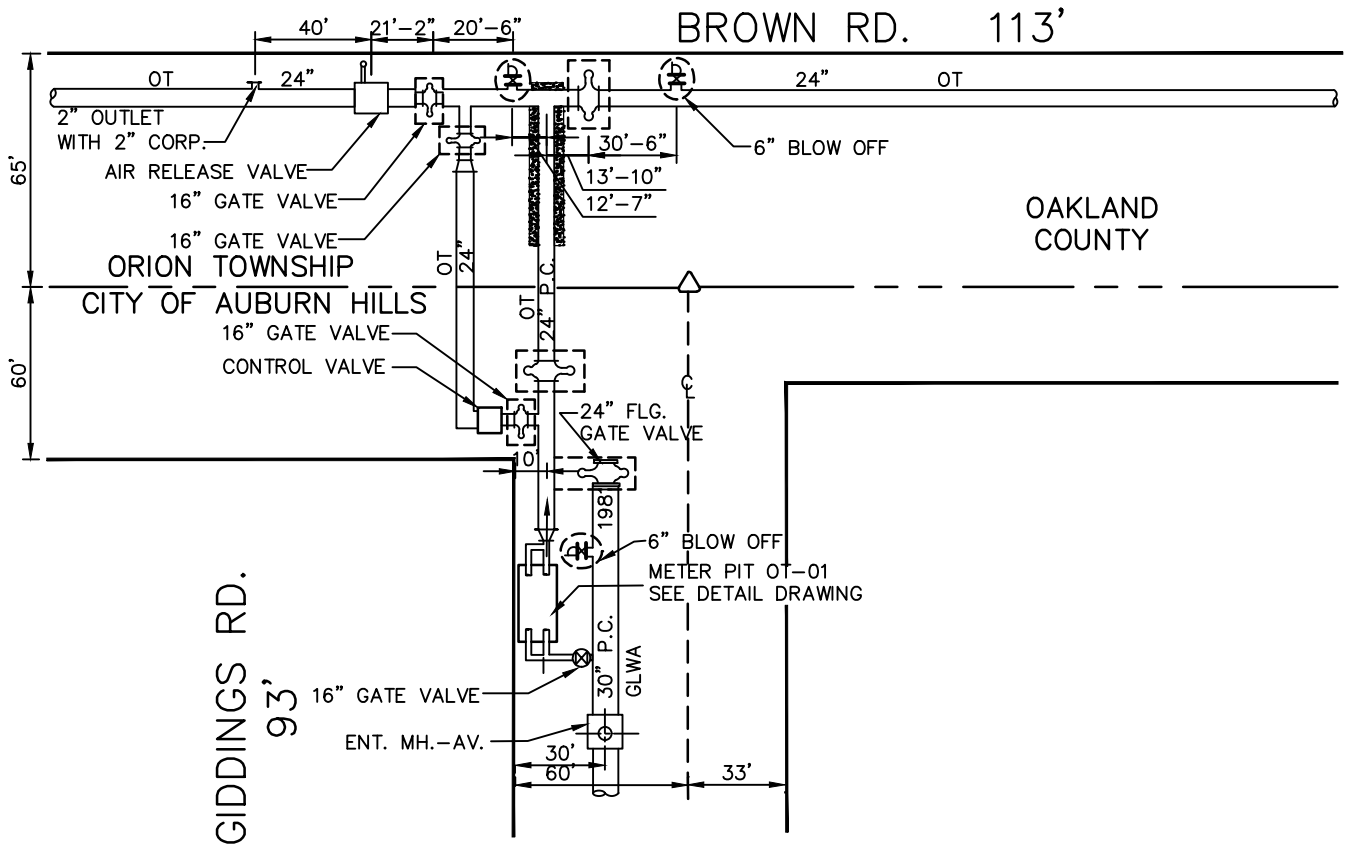
ADDRESS _____
 FEED TO _____ CITY OF AUBURN HILLS
 FEED FROM _____ GLWA TRANS. MAIN
 TYPE OF METER _____ SENSUS TURBO
 SIZE OF METER _____ 8" X 2"
 METER NUMBER _____ 8")1563580 & 2")1564330
 DATE METER SET _____ SEPTEMBER 14, 1999
 METER PIT CONST & SIZE _____ REINFORCED CONCRETE 18'-1/2" X 8'-0" I.D.
 GATE BOOK No _____
 REMARKS _____

AH
06

EXHIBIT-A

OT-01

BROWN RD. AND GIDDINGS RD. ORION TOWNSHIP



GIDDINGS RD.
93'

OT - ORION TOWNSHIP
OWNERSHIP AND MAINTENANCE
GLWA - GREAT LAKES WATER AUTHORITY
OPERATION AND MAINTENANCE
(CITY OF DETROIT OWNERSHIP)

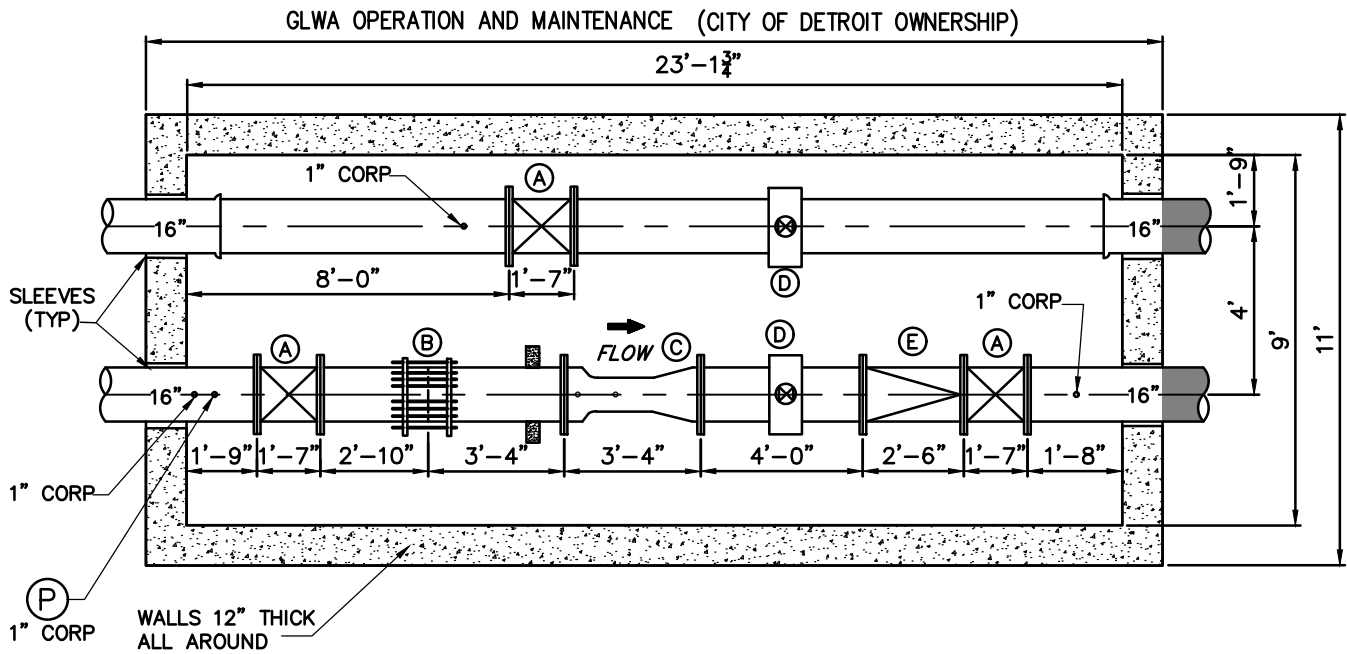
SITE PLAN
NOT TO SCALE



LOCATIONS SUBJECT TO
VERIFICATION IN THE FIELD.



EXHIBIT-A OT-01 BROWN RD. AND GIDDINGS RD. ORION TOWNSHIP



METER PIT DETAIL
NOT TO SCALE



ORION TOWNSHIP
OWNERSHIP & MAINTENANCE

LEGEND		
TAG	QTY	DESCRIPTION
A	3	16" GATE VALVE
B	1	16" DRESSER STYLE 38 COUPLING
C	1	VENTURI TUBE- 10.15" THROAT
D	2	TEE WITH 6" GATE VALVE
E	1	16" NON-SLAM TILTING DISC CHECK VALVE

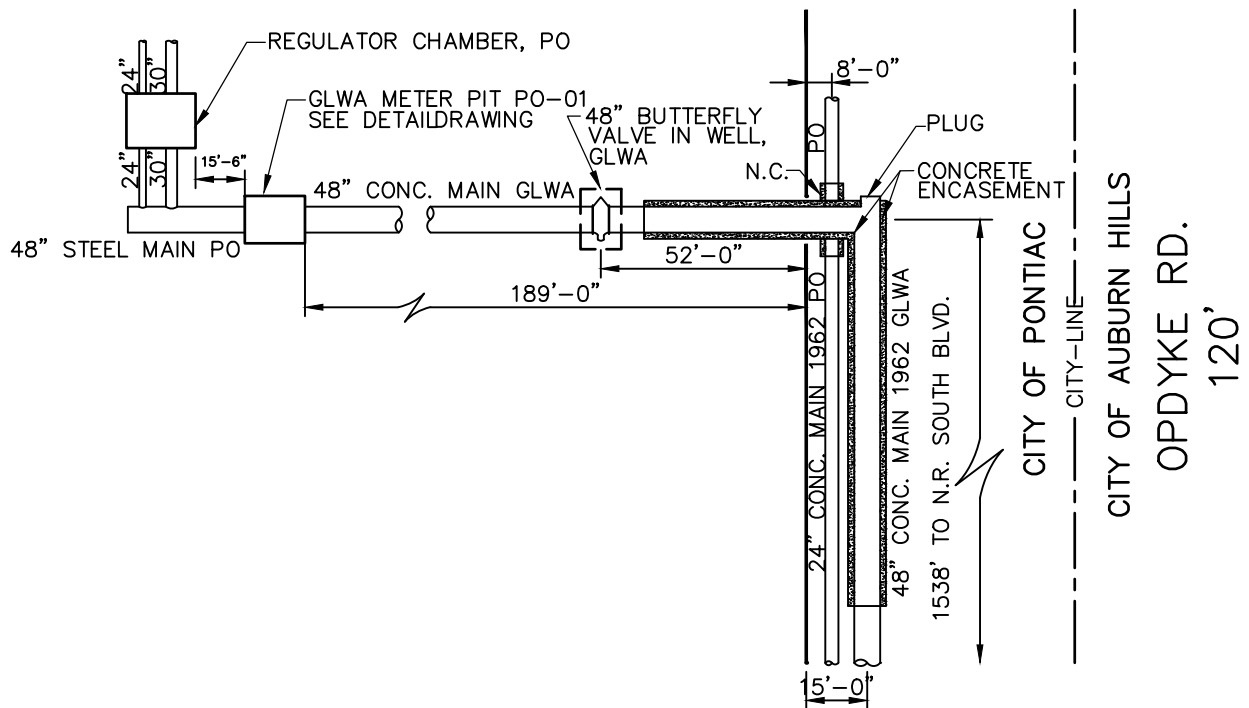
TYPICAL PRESSURE LOSS THRU METER	
METER TYPE	P.S.I. LOSS
VENTURI	1 - 2
MAG	0
TURBINE	4 - 6

(P) - UPSTREAM PRESSURE TRANSMITTER,
G.L.W.A. OPERATION & MAINTENANCE
(CITY OF DETROIT OWNERSHIP)

ADDRESS _____ 4401 GIDDINGS
 FEED TO _____ ORION TOWNSHIP
 FEED FROM _____ 30" GLWA TRANS. MAIN
 TYPE OF METER _____ VENTURI
 SIZE OF METER _____ 16" X 10.15"
 METER NUMBER _____ 041821-17-01
 DATE METER SET _____ NOV 9, 1995
 METER PIT CONST & SIZE _____ REINF. CONC. 23'-1 3/4" X 9'
 GATE BOOK _____ N-1586
 REMARKS _____ NONE



EXHIBIT-A PO-01 OPDYKE AND SOUTH BLVD. CITY OF PONTIAC



SITE PLAN
NOT TO SCALE



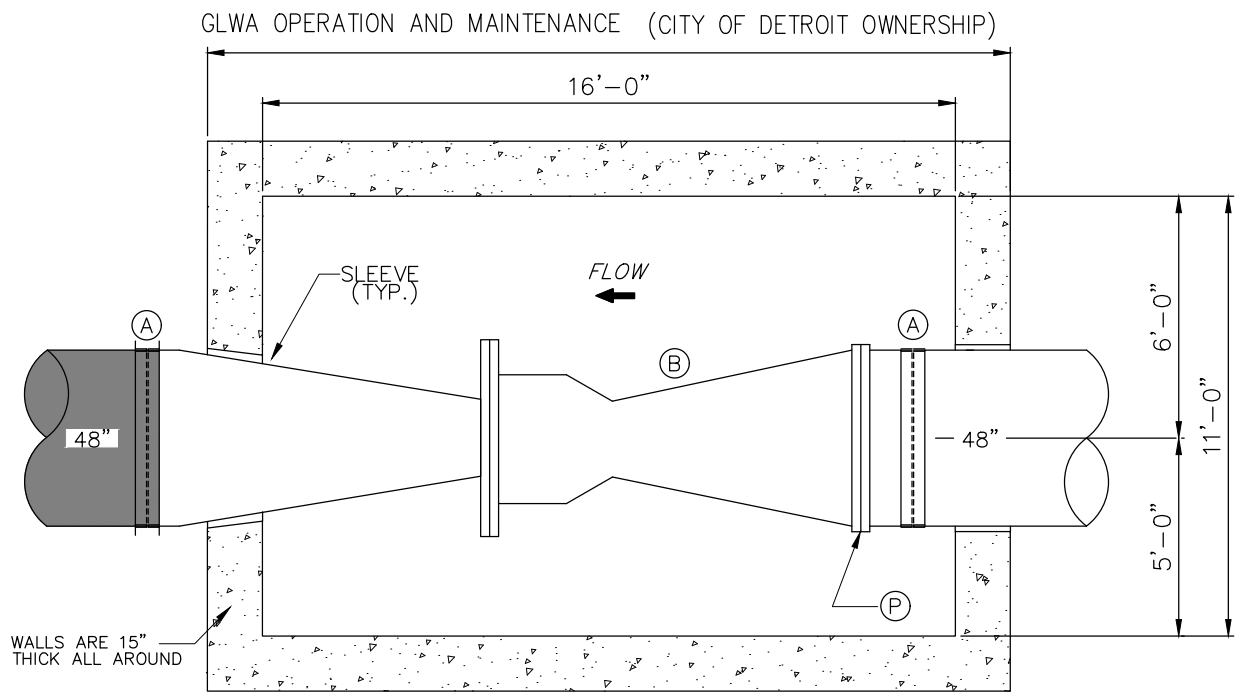
PO – CITY OF PONTIAC, OWNERSHIP
AND MAINTENANCE BY OCWRC

GLWA – GREAT LAKES WATER AUTHORITY
OPERATION AND MAINTENANCE
(CITY OF DETROIT OWNERSHIP)

LOCATIONS SUBJECT TO
VERIFICATION IN THE FIELD.



EXHIBIT-A PO-01 OPDYKE AND SOUTH BLVD CITY OF PONTIAC



METER PIT DETAIL
NOT TO SCALE

█ CITY OF PONTIAC, OWNERSHIP
AND MAINTENANCE BY OCWRC

LEGEND			
TAG	QTY	DESCRIPTION	SIZE
A	2	VICTAULIC COUPLING	48"
B	1	VENTURI TUBE	48"X21.778"

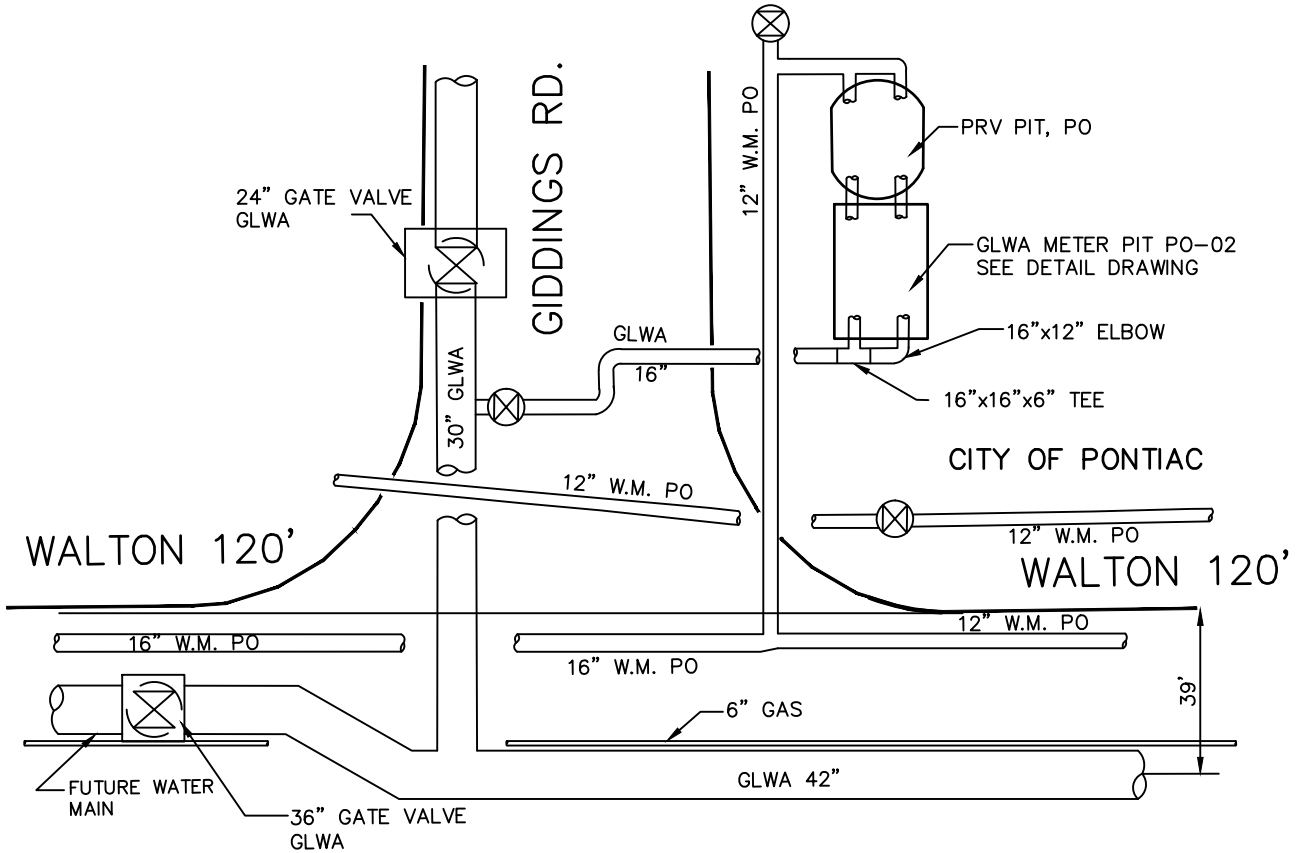
TYPICAL PRESSURE LOSS THRU METER	
METER TYPE	P.S.I. LOSS
VENTURI	1 - 2
MAG	0
TURBINE	4 - 6

(P) - UPSTREAM PRESSURE TRANSMITTER,
G.L.W.A. OPERATION & MAINTENANCE
(CITY OF DETROIT OWNERSHIP)

FEED TO _____ CITY OF PONTIAC
 FEED FROM _____ GLWA TRANS. MAIN 48"
 TYPE OF METER _____ B.I.F. VENTURI TUBE
 SIZE OF METER _____ 48"X21.778"
 TUBE NUMBER _____ 42216
 RECEIVER _____ 2479
 DATE METER SET _____ AUGUST 27, 1963
 METER PIT CONST. & SIZE _____ 16"-0"X11'-0" I.D. REINF. CONC
 REMARKS _____ NONE

(PO
01)

EXHIBIT-A PO-02 GIDDINGS AND WALTON CITY OF PONTIAC



SITE PLAN
NOT TO SCALE



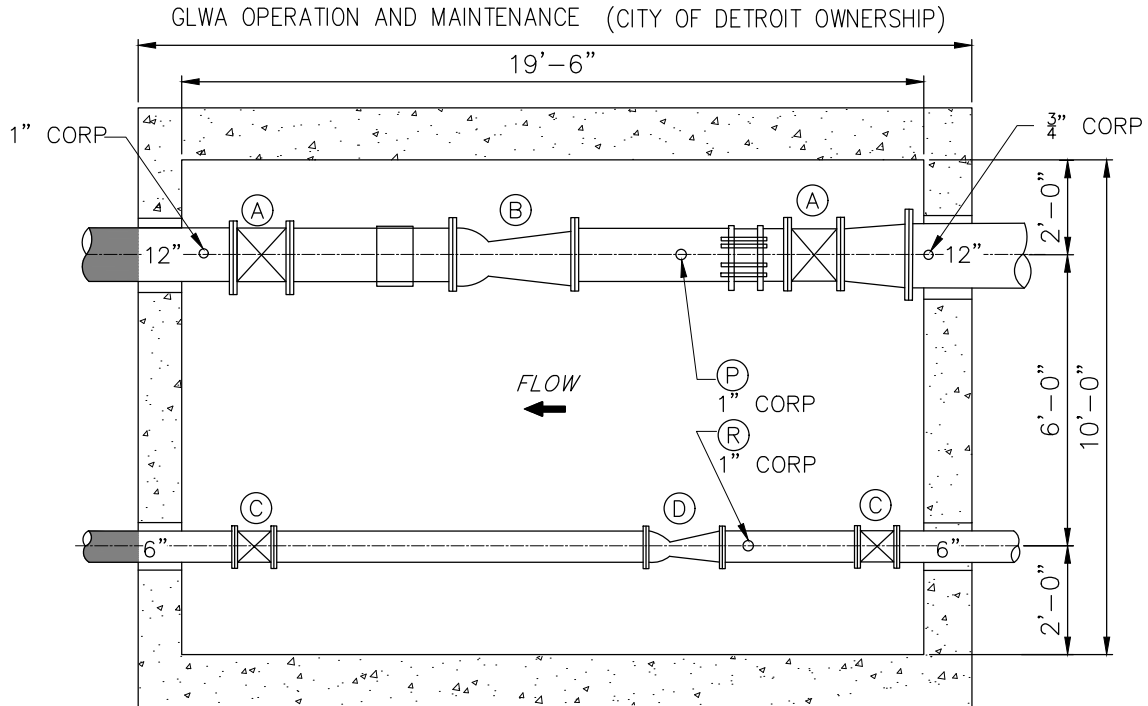
PO – CITY OF PONTIAC, OWNERSHIP
AND MAINTENANCE BY OCWRC

GLWA – GREAT LAKES WATER AUTHORITY
OPERATION AND MAINTENANCE
(CITY OF DETROIT OWNERSHIP)

LOCATIONS SUBJECT TO
VERIFICATION IN THE FIELD.



EXHIBIT-A PO-02 GIDDINGS AND WALTON CITY OF PONTIAC



METER PIT DETAIL Z+
NOT TO SCALE

CITY OF PONTIAC, OWNERSHIP
AND MAINTENANCE BY OCWRC

LEGEND		
TAG	QTY	DESCRIPTION
A	2	GATE VALVES
B	1	VENTURI TUBE
C	2	GATE VALVES
D	1	VENTURI TUBE

TYPICAL PRESSURE LOSS THRU METER	
METER TYPE	P.S.I. LOSS
VENTURI	1 - 2
MAG	0
TURBINE	4 - 6

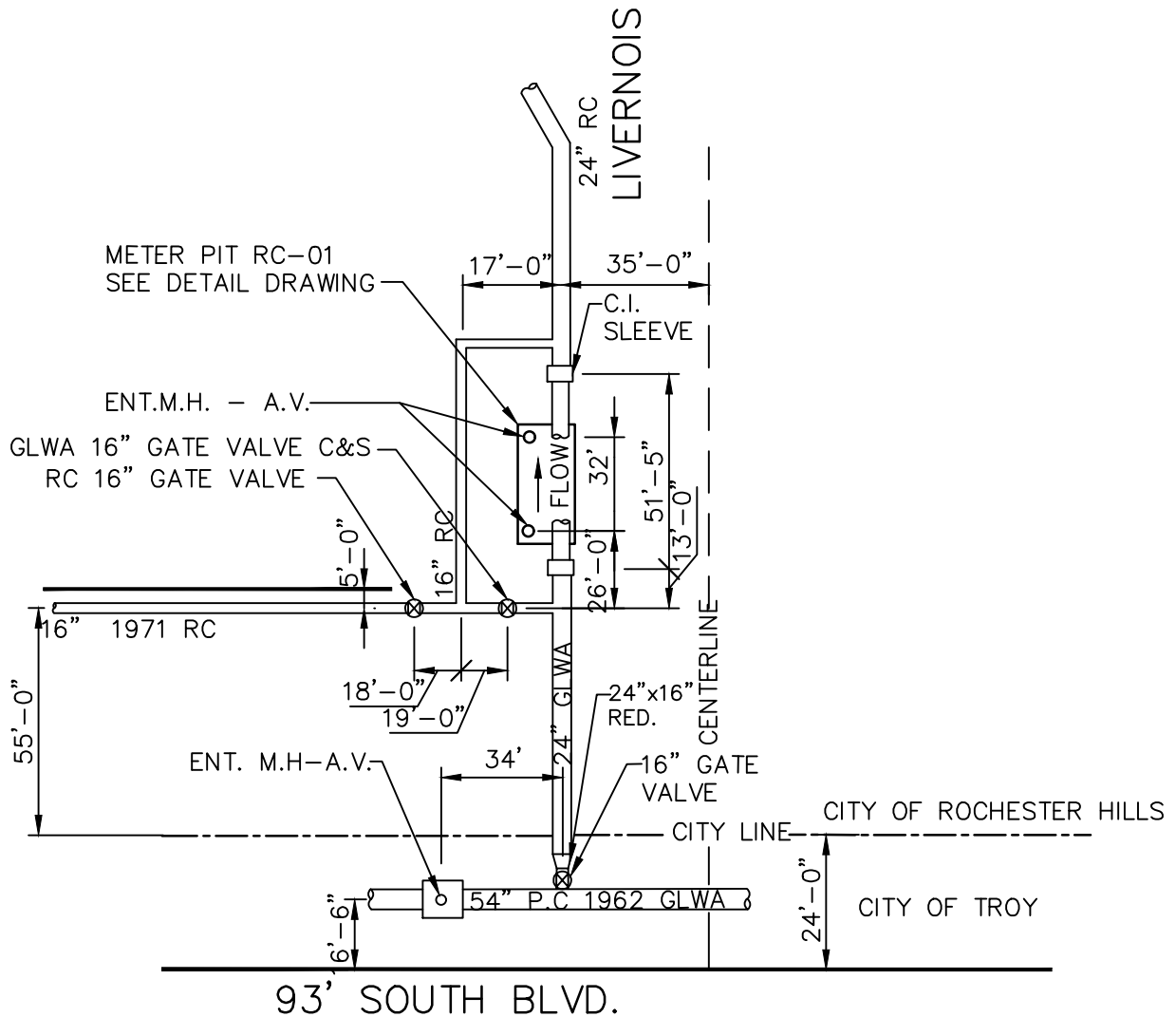
(P) - UPSTREAM PRESSURE TRANSMITTER,
G.L.W.A. OPERATION & MAINTENANCE
(CITY OF DETROIT OWNERSHIP)

(R) - OTHER PRESSURE TRANSMITTER,
G.L.W.A. OPERATION & MAINTENANCE
(CITY OF DETROIT OWNERSHIP)

FEED TO _____ CITY OF PONTIAC
 FEED FROM _____ 30" GLWA TRANS. MAIN
 TYPE OF METER _____ VENTURI
 SIZE OF METER _____ 6"X3.6" & 12"X8.7"
 METER NUMBER _____ 6")93513926221 & 12")93513926211
 DATE METER SET _____ NOVEMBER 3, 1994
 METER PIT CONST. & SIZE _____ 19"-6"X10'-0" I.D. REINF. CONC
 REMARKS _____ NONE



EXHIBIT-A RC-01 LIVERNOIS AND SOUTH BLVD. CITY OF ROCHESTER HILLS



RC - ROCHESTER HILLS
OWNERSHIP AND MAINTENANCE
GLWA- GREAT LAKES WATER AUTHORITY
OPERATION AND MAINTENANCE
(CITY OF DETROIT OWNERSHIP)

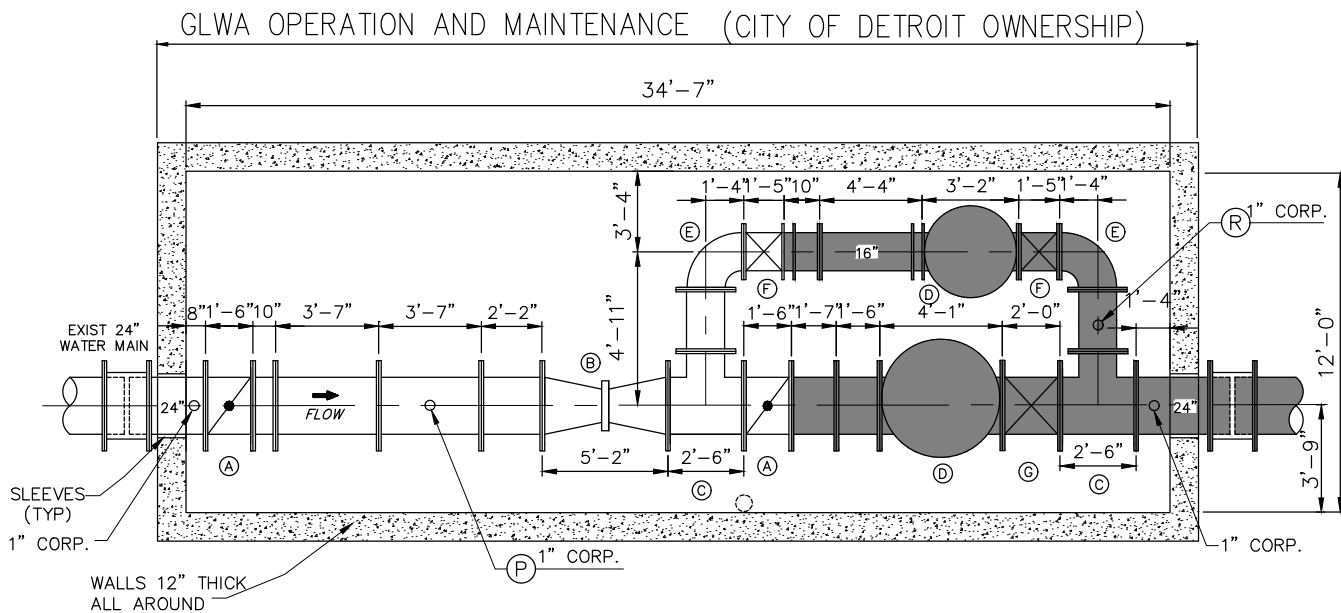
SITE PLAN
NOT TO SCALE



LOCATIONS SUBJECT TO
VERIFICATION IN THE FIELD.

RC
01

EXHIBIT-A RC-01 LIVERNOIS AND SOUTH BLVD. CITY OF ROCHESTER HILLS



ROCHESTER HILLS O&M

METER PIT DETAIL $+Z$
NOT TO SCALE

LEGEND		
TAG	QTY	DESCRIPTION
A	2	24" BUTTERFLY VALVE
B	1	24" B.I.F. VENTURI TUBE
C	2	24"x24"x12" TEE
D	2	16" & 24" ROSS P.R.V.
E	2	16" 90 DEG ELBOW
F	2	16" GATE VALVE
G	1	24" GATE VALVE

TYPICAL PRESSURE LOSS THRU METER	
METER TYPE	P.S.I. LOSS
VENTURI	1 - 2
MAG	0
TURBINE	4 - 6

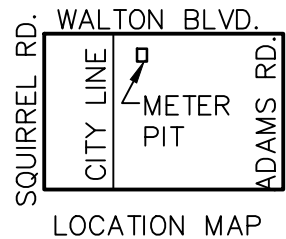
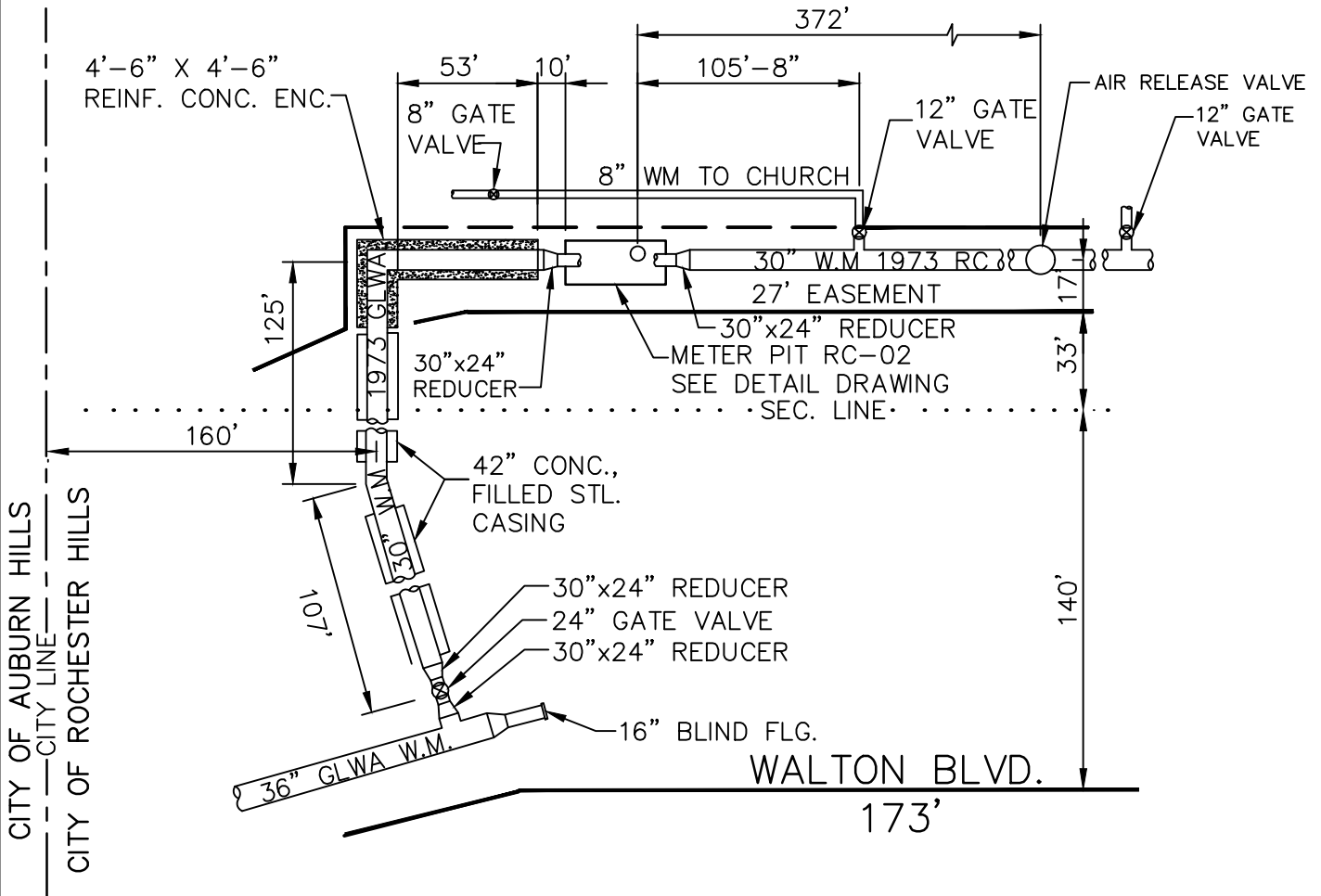
- (P) - UPSTREAM PRESSURE TRANSMITTER, G.L.W.A. OPERATION & MAINTENANCE (CITY OF DETROIT OWNERSHIP)
- (R) - OTHER PRESSURE TRANSMITTER, G.L.W.A. OPERATION & MAINTENANCE (CITY OF DETROIT OWNERSHIP)

ADDRESS _____
 FEED TO _____ CITY OF ROCHESTER HILLS
 FEED FROM _____ 54" GLWA TRANS. MAIN
 TYPE OF METER _____ 24" BIF. VENTURI TUBE
 SIZE OF METER _____ 24" X 7.1517, 24" X 14.500
 METER NUMBER _____ 13668-1, 13668-2
 DATE METER SET _____ MAY 24, 1973
 METER PIT CONST & SIZE _____ REINF. CONC. 34'-7 1/2" X 12' I.D
 GATE BOOK No _____ N-1091
 REMARKS _____ SEE P.R.V. SHEET NO. RC-E



EXHIBIT-A RC-02

WALTON BLVD. 1/2 MILE EAST OF SQUIRREL CITY OF ROCHESTER HILLS



RC - ROCHESTER HILLS
OWNERSHIP AND MAINTENANCE

GLWA- GREAT LAKES WATER AUTHORITY
OPERATION AND MAINTENANCE
(CITY OF DETROIT OWNERSHIP)

SITE PLAN
NOT TO SCALE

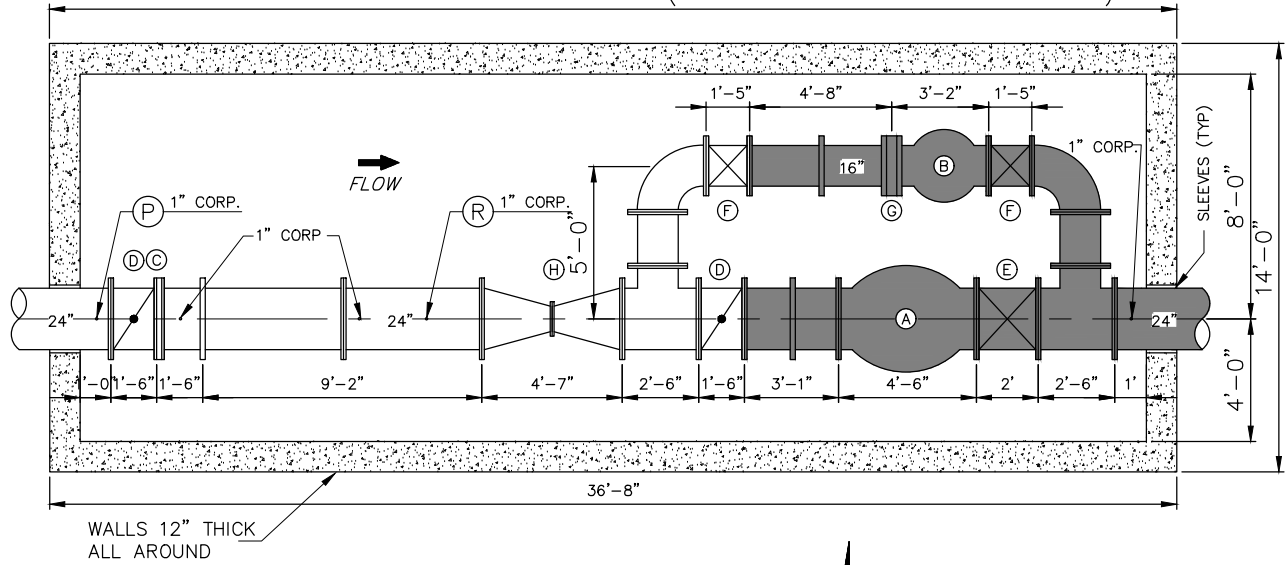


LOCATIONS SUBJECT TO
VERIFICATION IN THE FIELD.



EXHIBIT-A
RC-02
WALTON BLVD. 1/2 MILE EAST OF SQUIRREL
CITY OF ROCHESTER HILLS

GLWA OPERATION AND MAINTENANCE (CITY OF DETROIT OWNERSHIP)



WALLS 12" THICK
ALL AROUND

METER PIT DETAIL

NOT TO SCALE

ROCHESTER HILLS O&M



TAG QTY		LEGEND	DESCRIPTION
A	1	24" P.R.V.	
B	1	16" P.R.V.	
C	1	1" GASKET	
D	2	24" BUTTERFLY VALVE	
E	1	24" GATE VALVE	
F	2	16" GATE VALVE	
G	1	4" FLG. FILL	
H	1	24" B.I.F. VENTURI TUBE	

TYPICAL PRESSURE LOSS THRU METER	
METER TYPE	P.S.I. LOSS
VENTURI	1 - 2
MAG	0
TURBINE	4 - 6

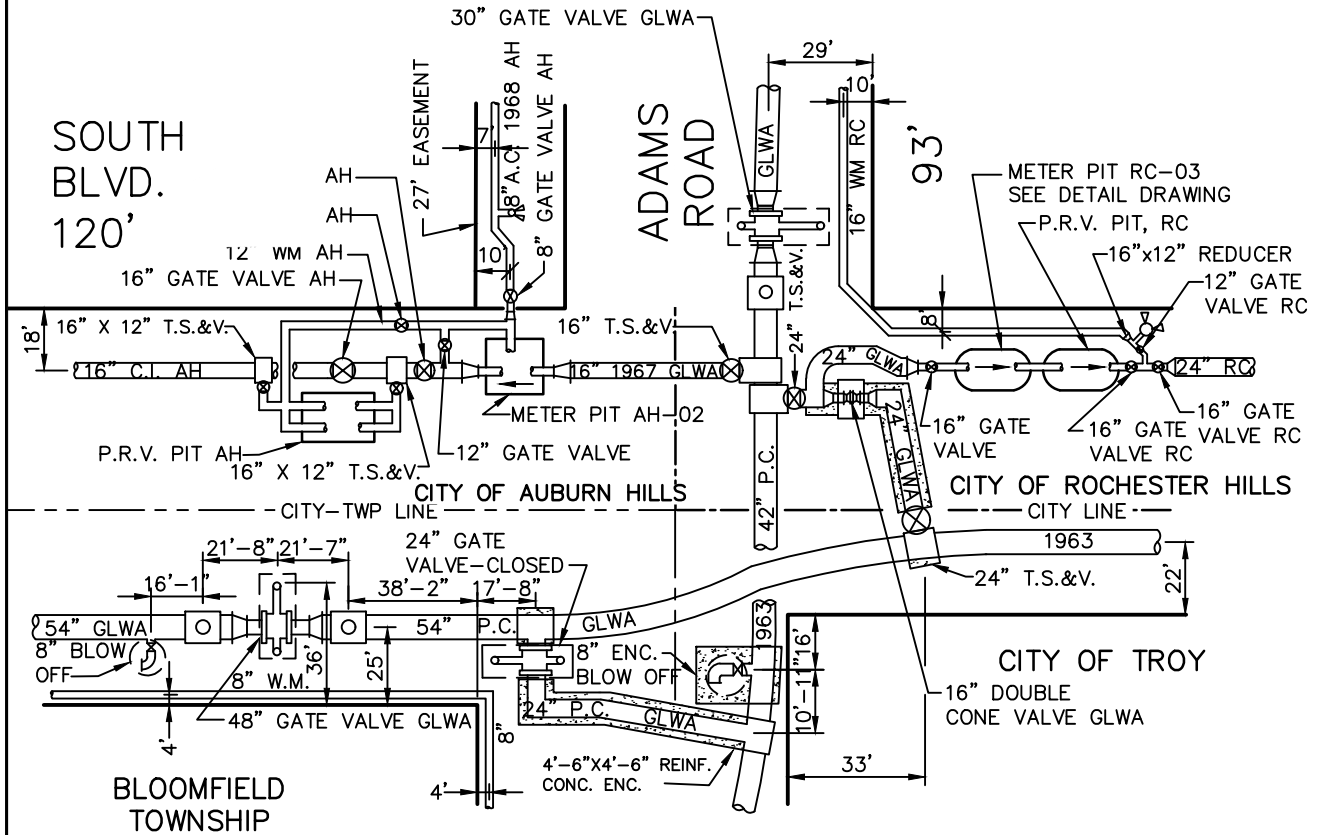
(P) - UPSTREAM PRESSURE TRANSMITTER, G.L.W.A. OPERATION & MAINTENANCE (CITY OF DETROIT OWNERSHIP)

(R) - OTHER PRESSURE TRANSMITTER, G.L.W.A. OPERATION & MAINTENANCE (CITY OF DETROIT OWNERSHIP)

ADDRESS _____
 FEED TO _____ ROCHESTER HILLS
 FEED FROM _____ GLWA TRANS. MAIN
 TYPE OF METER _____ B.I.F. VENTURI & TWO B.I.F. ORIFICES
 SIZE OF METER _____ 24"X17.4", 24"X5.053"
 METER NUMBER _____ 17.4") 12103-2, 5.053") 12103-1
 DATE METER SET _____ JUN 7, 1973
 METER PIT CONST & SIZE _____ REINF. CONC. 34'-8" X 12'-0" I.D.
 GATE BOOK No _____ N-1181



EXHIBIT-A RC-03 SOUTH BLVD. AND ADAMS ROAD CITY OF ROCHESTER HILLS



SITE PLAN
NOT TO SCALE

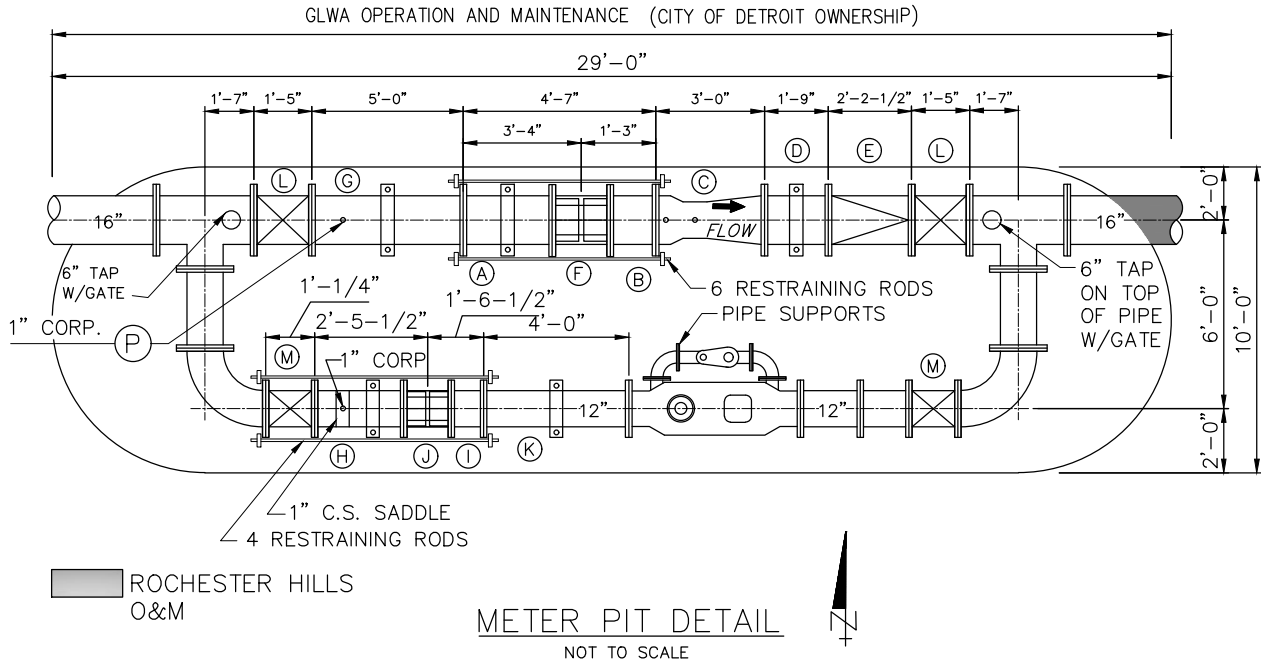


- RC - ROCHESTER HILLS
OWNERSHIP AND MAINTENANCE
- AH - AUBURN HILLS
OWNERSHIP AND MAINTENANCE
- GLWA- GREAT LAKES WATER AUTHORITY
OPERATION AND MAINTENANCE
(CITY OF DETROIT OWNERSHIP)

LOCATIONS SUBJECT TO
VERIFICATION IN THE FIELD.



EXHIBIT-A
RC-03
SOUTH BLVD. AND ADAMS
CITY OF ROCHESTER HILLS



LEGEND			
TAG	QTY	DESCRIPTION	SIZE
A	1	F X PE DUCTILE IRON SPOOL PIECE	16" X 39"
B	1	F X PE DUCTILE IRON SPOOL PIECE	16" X 15"
C	1	VENTURI TUBE - 10.15" THROAT	16"
D	1	F X F DUCTILE IRON SPOOL PIECE	16" X 24"
E	1	TILTED DISC CHECK VALVE	16"
F	1	DRESSER STYLE 3B COUPLING	16"
G	1	F X F DUCTILE IRON SPOOL PIECE	16" X 60"
H	1	F X PE DUCTILE IRON SPOOL PIECE	12" X 29.5"
I	1	F X PE DUCTILE IRON SPOOL PIECE	12" X 13.5"
J	1	DRESSER STYLE 3B COUPLING	12"
K	1	F X F DUCTILE IRON SPOOL PIECE	12" X 48"
L	2	GATE VALVE	16"
M	2	GATE VALVE	12"

TYPICAL PRESSURE LOSS THRU METER	
METER TYPE	P.S.I. LOSS
VENTURI	1 - 2
MAG	0
TURBINE	4 - 6

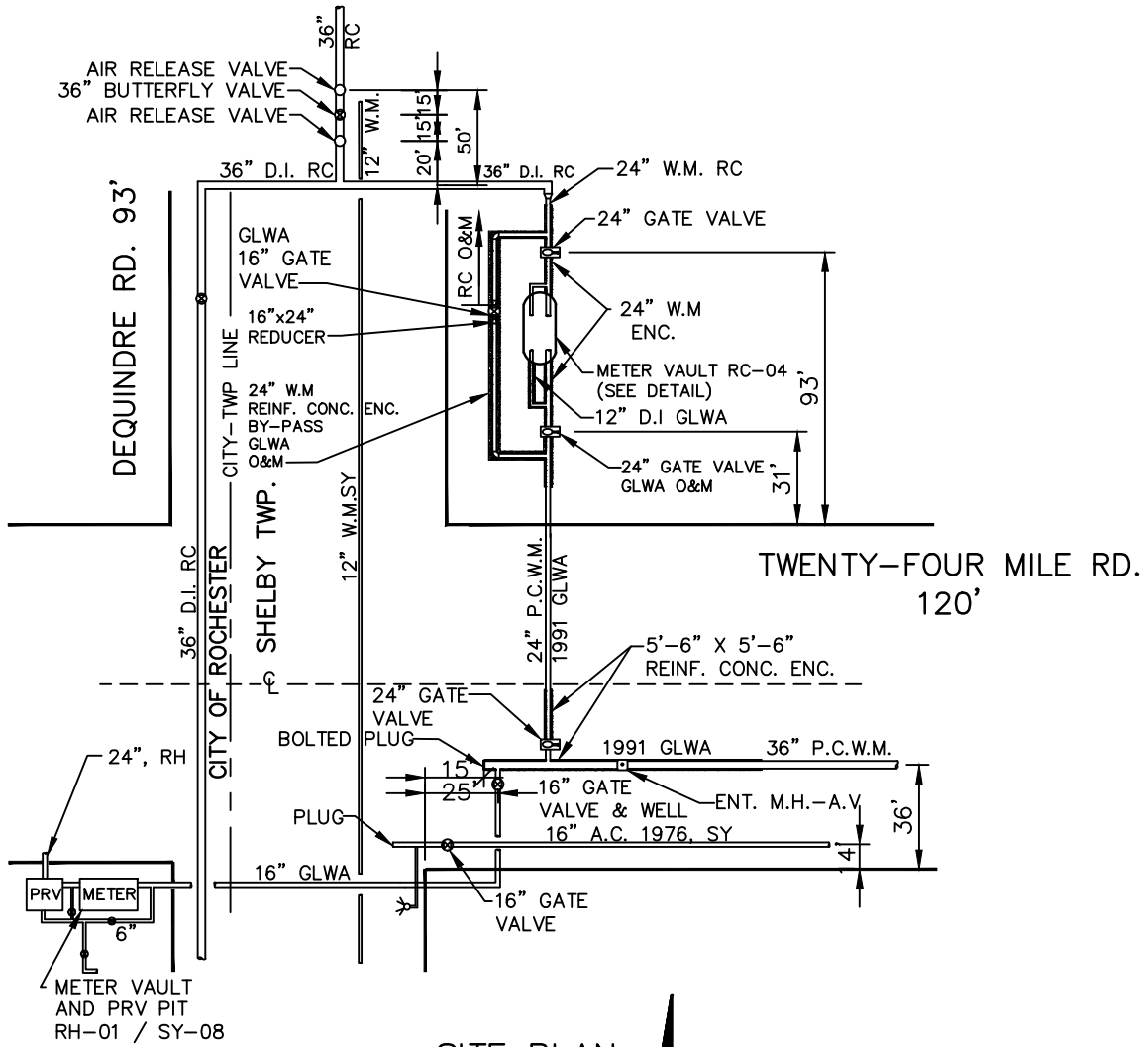
(P) - UPSTREAM PRESSURE TRANSMITTER, G.L.W.A. OPERATION & MAINTENANCE (CITY OF DETROIT OWNERSHIP)

NOTE: GLWA IS SOLELY RESPONSIBLE FOR THE METER PIT STRUCTURE

ADDRESS _____ 3998 SOUTH BLVD.
 FEED TO _____ CITY OF ROCHESTER HILLS
 FEED FROM _____ GLWA TRANS. MAIN
 TYPE OF METER _____ VENTURI METER
 SIZE OF METER _____ 16" X 10.15"
 METER NUMBER _____ 43701
 DATE METER SET _____ 6/9/1995
 METER PIT CONST & SIZE _____ STEEL 22'-0" X 10'-6" I.D.
 GATE BOOK No _____ N-1103
 REMARKS _____

RC
03

EXHIBIT-A RC-04 DEQUINDRE AND TWENTY-FOUR MILE RD. CITY OF ROCHESTER HILLS



SITE PLAN
NOT TO SCALE

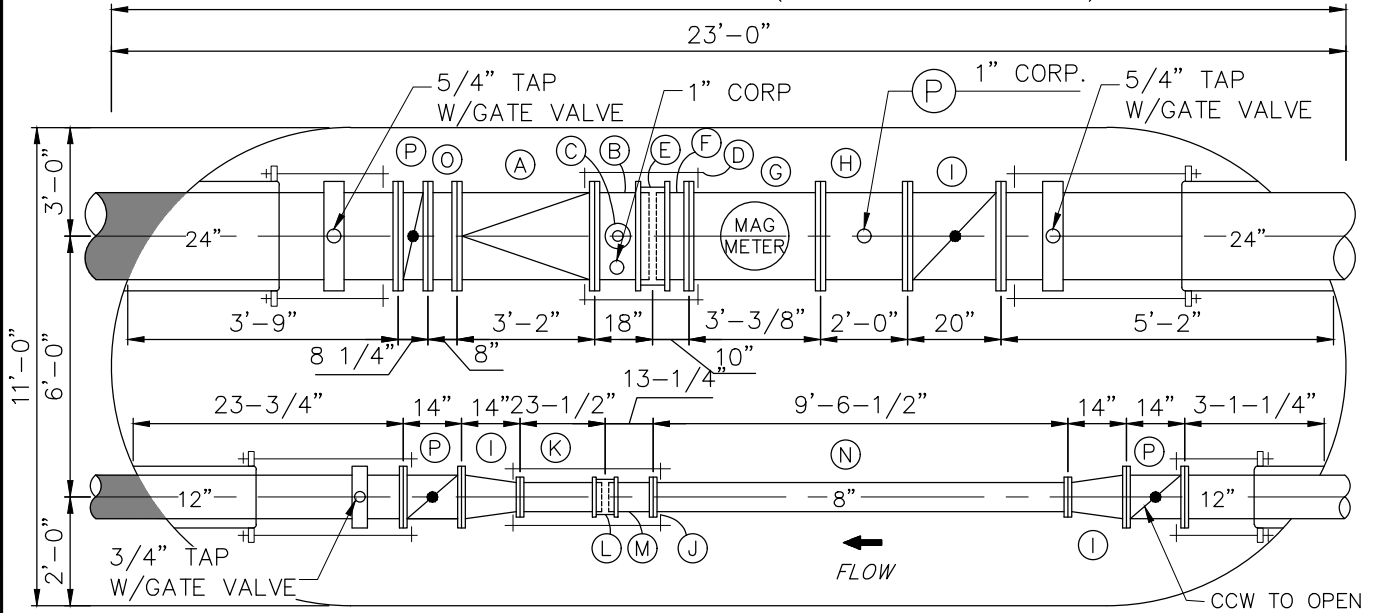
- RC - ROCHESTER HILLS OWNERSHIP AND MAINTENANCE
- RH - ROCHESTER OWNERSHIP AND MAINTENANCE
- SY - SHELBY TWP. OWNERSHIP AND MAINTENANCE
- GLWA- GREAT LAKES WATER AUTHORITY OPERATION AND MAINTENANCE (CITY OF DETROIT OWNERSHIP)

LOCATIONS SUBJECT TO VERIFICATION IN THE FIELD.



EXHIBIT-A
RC-04
DEQUINDRE AND TWENTY-FOUR MILE RD.
CITY OF ROCHESTER HILLS

GLWA OPERATION AND MAINTENANCE (CITY OF DETROIT OWNERSHIP)



METER PIT DETAIL Z+
NOT TO SCALE

ROCHESTER HILLS O&M

TAG QTY		DESCRIPTION
A	1	24" FLGD. CHECK VALVE, 38" F-F
B	1	24" X 1'-6" F-PE PIPE W/3" COMPANION FLANGE
C	1	TEST TEE ASSEMBLY W/3" COMPANION FLANGE
D	LOT	COUPLING RESTRAINT: (6) 44" LG. THRD. RODS (12) EAR PLATES
E	1	24" DRESSER STYLE PIPE COUPLING
F	1	24" X 10" F-PE PIPE GADR. D.I.
G	1	24" FLGD. MAGNETIC FLOWMETER, 36.375" F-F
H	1	24" X 2'-0" F-F PIPE W/1" TAP FOR CORP. STOP D.I.
I	2	12" X 8" FLGD. CONCENTRIC REDUCERS, D.I., 14" F-F
J	LOT	COUPLING RESTRAINT: (4) 44" LG. THRD. RODS (8) EAR PLATES
K	1	8" X 1'-11 1/2" F-PE PIPE, GADR. D.I.
L	1	8" 'DRESSER STYLE' PIPE COUPLING
M	1	8" X 1'-1 1/4" F-PE PIPE, GADR. D.I.
N	2	8" X 9'-6 1/2" F-F PIPE D.I.
O	1	24" X 8" F-F PIPE D.I.
P	4	HYDRAULIC CONTROLLED BUTTERFLY VALVE

TYPICAL PRESSURE LOSS THRU METER	
METER TYPE	P.S.I. LOSS
VENTURI	1 - 2
MAG	0
TURBINE	4 - 6

(P) - UPSTREAM PRESSURE TRANSMITTER, G.L.W.A. OPERATION & MAINTENANCE (CITY OF DETROIT OWNERSHIP)

NOTE: GLWA IS SOLELY RESPONSIBLE FOR THE METER PIT STRUCTURE

ADDRESS _____ 53206 DEQUINDRE
 FEED TO _____ CITY OF ROCHESTER HILLS
 FEED FROM _____ 36" P.C. GLWA W.M.
 TYPE OF METER _____ ABB MAG
 SIZE OF METER _____ 24"
 METER NUMBER _____ V/33112/3/1
 DATE METER SET _____ 7/5/2000
 METER PIT CONST & SIZE _____ STEEL 23' X 11' I.D.
 GATE BOOK No _____ N-1248
 REMARKS _____ WS-564-10



EXHIBIT B

Projected Annual Volume and Minimum Annual Volume (Table 1)
Pressure Range and Maximum Flow Rate (Table 2)
Flow Split Assumptions (Table 3)
Addresses for Notice (Table 4)

Table 1 and Table 2 set forth the agreed upon Projected Annual Volumes, Minimum Annual Volumes, Pressure Ranges and Maximum Flow Rates for the term of this Contract provided that figures in bold type face are immediately enforceable pursuant to the terms of Section 5.07 and italicized figures are contained for planning purposes only but will become effective absent the negotiated replacements anticipated in Section 5.07.

The approximate rate of flow by individual meter set forth in Table 3 is the assumption upon which the Pressure Range commitments established in Table 2 have been devised. Should Customer deviate from these assumptions at any meter(s), the Board may be unable to meet the stated Pressure Range commitments in this Contract or in the contract of another customer of the Board and Section 5.08 of this Contract may be invoked.

EXHIBIT B

Table 1
 Projected Annual Volume and Minimum Annual Volume

Fiscal Year Ending June 30	Projected Annual Volume (Mcf)	Minimum Annual Volume (Mcf)
2015	--	--
2016	1,020,000	510,000
2017	1,020,000	510,000
2018	945,000	472,500
2019	945,000	472,500
2020	936,000	468,000
2021	936,000	468,000
2022	936,000	468,000
2023	936,000	468,000
2024	<i>936,000</i>	<i>468,000</i>
2025	<i>936,000</i>	<i>468,000</i>
2026	<i>936,000</i>	<i>468,000</i>
2027	<i>936,000</i>	<i>468,000</i>
2028	<i>936,000</i>	<i>468,000</i>
2029	<i>936,000</i>	<i>468,000</i>
2030	<i>936,000</i>	<i>468,000</i>
2031	<i>936,000</i>	<i>468,000</i>
2032	<i>936,000</i>	<i>468,000</i>
2033	<i>936,000</i>	<i>468,000</i>
2034	<i>936,000</i>	<i>468,000</i>
2035	<i>936,000</i>	<i>468,000</i>
2036	<i>936,000</i>	<i>468,000</i>
2037	<i>936,000</i>	<i>468,000</i>
2038	<i>936,000</i>	<i>468,000</i>
2039	<i>936,000</i>	<i>468,000</i>
2040	<i>936,000</i>	<i>468,000</i>
2041	<i>936,000</i>	<i>468,000</i>
2042	<i>936,000</i>	<i>468,000</i>
2043	<i>936,000</i>	<i>468,000</i>
2044	<i>936,000</i>	<i>468,000</i>
2045	<i>936,000</i>	<i>468,000</i>

EXHIBIT B

Table 2
Pressure Range and Maximum Flow Rate

Calendar Year (Reopener Schedule in bold type)	Pressure Range (psi)		Pressure Range (psi)		Pressure Range (psi)		Pressure Range (psi)		Pressure Range (psi)		Pressure Range (psi)	
	Meter AH-02		Meter AH-03		Meter AH-04		Meter AH-05		Meter AH-06		Meter OT-01	
	Min	Max	Min	Max	Min	Max	Min	Max	Min	Max	Min	Max
2015	127	149	TBD	TBD	104	TBD	55	87	69	TBD	54	95
2016	127	149	TBD	TBD	104	TBD	55	87	69	TBD	54	95
2017	127	149	TBD	TBD	104	TBD	55	87	69	TBD	54	95
2018	127	149	TBD	TBD	104	TBD	55	87	69	TBD	54	95
2019	TBD	TBD	TBD	TBD	TBD	TBD	TBD	TBD	TBD	TBD	TBD	TBD
2020	TBD	TBD	TBD	TBD	TBD	TBD	TBD	TBD	TBD	TBD	TBD	TBD
2021	TBD	TBD	TBD	TBD	TBD	TBD	TBD	TBD	TBD	TBD	TBD	TBD
2022	TBD	TBD	TBD	TBD	TBD	TBD	TBD	TBD	TBD	TBD	TBD	TBD
2023	TBD	TBD	TBD	TBD	TBD	TBD	TBD	TBD	TBD	TBD	TBD	TBD
2024	TBD	TBD	TBD	TBD	TBD	TBD	TBD	TBD	TBD	TBD	TBD	TBD
2025	TBD	TBD	TBD	TBD	TBD	TBD	TBD	TBD	TBD	TBD	TBD	TBD
2026	TBD	TBD	TBD	TBD	TBD	TBD	TBD	TBD	TBD	TBD	TBD	TBD
2027	TBD	TBD	TBD	TBD	TBD	TBD	TBD	TBD	TBD	TBD	TBD	TBD
2028	TBD	TBD	TBD	TBD	TBD	TBD	TBD	TBD	TBD	TBD	TBD	TBD
2029	TBD	TBD	TBD	TBD	TBD	TBD	TBD	TBD	TBD	TBD	TBD	TBD
2030	TBD	TBD	TBD	TBD	TBD	TBD	TBD	TBD	TBD	TBD	TBD	TBD
2031	TBD	TBD	TBD	TBD	TBD	TBD	TBD	TBD	TBD	TBD	TBD	TBD
2032	TBD	TBD	TBD	TBD	TBD	TBD	TBD	TBD	TBD	TBD	TBD	TBD
2033	TBD	TBD	TBD	TBD	TBD	TBD	TBD	TBD	TBD	TBD	TBD	TBD
2034	TBD	TBD	TBD	TBD	TBD	TBD	TBD	TBD	TBD	TBD	TBD	TBD
2035	TBD	TBD	TBD	TBD	TBD	TBD	TBD	TBD	TBD	TBD	TBD	TBD
2036	TBD	TBD	TBD	TBD	TBD	TBD	TBD	TBD	TBD	TBD	TBD	TBD
2037	TBD	TBD	TBD	TBD	TBD	TBD	TBD	TBD	TBD	TBD	TBD	TBD
2038	TBD	TBD	TBD	TBD	TBD	TBD	TBD	TBD	TBD	TBD	TBD	TBD
2039	TBD	TBD	TBD	TBD	TBD	TBD	TBD	TBD	TBD	TBD	TBD	TBD
2040	TBD	TBD	TBD	TBD	TBD	TBD	TBD	TBD	TBD	TBD	TBD	TBD
2041	TBD	TBD	TBD	TBD	TBD	TBD	TBD	TBD	TBD	TBD	TBD	TBD
2042	TBD	TBD	TBD	TBD	TBD	TBD	TBD	TBD	TBD	TBD	TBD	TBD
2043	TBD	TBD	TBD	TBD	TBD	TBD	TBD	TBD	TBD	TBD	TBD	TBD
2044	TBD	TBD	TBD	TBD	TBD	TBD	TBD	TBD	TBD	TBD	TBD	TBD

EXHIBIT B

Table 2 (cont'd)
Pressure Range and Maximum Flow Rate

Calendar Year (Reopener Schedule in bold type)	Pressure Range (psi)		Pressure Range (psi)		Pressure Range (psi)		Pressure Range (psi)		Pressure Range (psi)		Pressure Range (psi)	
	Meter PO-01		Meter PO-02		Meter RC-01		Meter RC-02		Meter RC-03		Meter RC-04	
	Min	Max	Min	Max	Min	Max	Min	Max	Min	Max	Min	Max
2015	37	59	83	TBD	87	109	95	TBD	125	TBD	55	135
2016	37	59	83	TBD	87	109	95	TBD	125	TBD	55	135
2017	37	59	83	TBD	87	109	95	TBD	125	TBD	55	135
2018	37	59	83	TBD	87	109	95	TBD	125	TBD	55	135
2019	37	59	TBD	TBD	87	109	TBD	TBD	TBD	TBD	55	135
2020	37	59	TBD	TBD	87	109	TBD	TBD	TBD	TBD	55	135
2021	37	59	TBD	TBD	87	109	TBD	TBD	TBD	TBD	55	135
2022	37	59	TBD	TBD	87	109	TBD	TBD	TBD	TBD	55	135
2023	37	59	TBD	TBD	87	109	TBD	TBD	TBD	TBD	55	135
2024	37	59	TBD	TBD	87	109	TBD	TBD	TBD	TBD	55	135
2025	37	59	TBD	TBD	87	109	TBD	TBD	TBD	TBD	55	135
2026	37	59	TBD	TBD	87	109	TBD	TBD	TBD	TBD	55	135
2027	37	59	TBD	TBD	87	109	TBD	TBD	TBD	TBD	55	135
2028	37	59	TBD	TBD	87	109	TBD	TBD	TBD	TBD	55	135
2029	37	59	TBD	TBD	87	109	TBD	TBD	TBD	TBD	55	135
2030	37	59	TBD	TBD	87	109	TBD	TBD	TBD	TBD	55	135
2031	37	59	TBD	TBD	87	109	TBD	TBD	TBD	TBD	55	135
2032	37	59	TBD	TBD	87	109	TBD	TBD	TBD	TBD	55	135
2033	37	59	TBD	TBD	87	109	TBD	TBD	TBD	TBD	55	135
2034	37	59	TBD	TBD	87	109	TBD	TBD	TBD	TBD	55	135
2035	37	59	TBD	TBD	87	109	TBD	TBD	TBD	TBD	55	135
2036	37	59	TBD	TBD	87	109	TBD	TBD	TBD	TBD	55	135
2037	37	59	TBD	TBD	87	109	TBD	TBD	TBD	TBD	55	135
2038	37	59	TBD	TBD	87	109	TBD	TBD	TBD	TBD	55	135
2039	37	59	TBD	TBD	87	109	TBD	TBD	TBD	TBD	55	135
2040	37	59	TBD	TBD	87	109	TBD	TBD	TBD	TBD	55	135
2041	37	59	TBD	TBD	87	109	TBD	TBD	TBD	TBD	55	135
2042	37	59	TBD	TBD	87	109	TBD	TBD	TBD	TBD	55	135
2043	37	59	TBD	TBD	87	109	TBD	TBD	TBD	TBD	55	135
2044	37	59	TBD	TBD	87	109	TBD	TBD	TBD	TBD	55	135

EXHIBIT B

Table 2 (continued)
 Pressure Range and Maximum Flow Rate

Calendar Year (Reopener Schedule in bold type)	Maximum Flow Rate (mgd)	
	<u>Max Day</u>	<u>Peak Hour</u>
2015	50.6	56.0
2016	50.6	52.5
2017	49.5	52.5
2018	49.5	52.5
2019	45.1	49.1
2020	45.1	49.1
2021	45.1	49.1
2022	45.1	49.1
2023	<i>45.1</i>	<i>49.1</i>
2024	<i>45.1</i>	<i>49.1</i>
2025	<i>45.1</i>	<i>49.1</i>
2026	<i>45.1</i>	<i>49.1</i>
2027	<i>45.1</i>	<i>49.1</i>
2028	<i>45.1</i>	<i>49.1</i>
2029	<i>45.1</i>	<i>49.1</i>
2030	<i>45.1</i>	<i>49.1</i>
2031	<i>45.1</i>	<i>49.1</i>
2032	<i>45.1</i>	<i>49.1</i>
2033	<i>45.1</i>	<i>49.1</i>
2034	<i>45.1</i>	<i>49.1</i>
2035	<i>45.1</i>	<i>49.1</i>
2036	<i>45.1</i>	<i>49.1</i>
2037	<i>45.1</i>	<i>49.1</i>
2038	<i>45.1</i>	<i>49.1</i>
2039	<i>45.1</i>	<i>49.1</i>
2040	<i>45.1</i>	<i>49.1</i>
2041	<i>45.1</i>	<i>49.1</i>
2042	<i>45.1</i>	<i>49.1</i>
2043	<i>45.1</i>	<i>49.1</i>
2044	<i>45.1</i>	<i>49.1</i>

EXHIBIT B

Table 3
Flow Split Assumptions

Meter	Assumed Flow Split (2019-2022)
AH-02	TBD
AH-03	TBD
AH-04	TBD
AH-05	TBD
AH-06	TBD
OT-01	TBD
PO-01	TBD
PO-02	TBD
RC-01	TBD
RC-02	TBD
RC-03	TBD
RC-04	TBD

Table 4
Addresses for Notice

If to the Board: General Counsel Great Lakes Water Authority 735 Randolph, Suite 1901 Detroit, Michigan 48226	If to Customer: Fiduciary North Oakland County Water Authority 1000 Rochester Hills Drive Rochester Hills, Michigan, 48309 cc: NOCWA Chairperson 1827 N. Squirrel Road Auburn Hills, Michigan 48326
--	---