

**AMENDMENT NO. 4 TO WATER SERVICE CONTRACT
BETWEEN
GREAT LAKES WATER AUTHORITY
AND
NORTH OAKLAND COUNTY WATER AUTHORITY**

This Amendment No. 4 (“Amendment”) is made between the Great Lakes Water Authority, a municipal authority and public body corporate (“GLWA”), and the North Oakland County Water Authority, a municipal corporation (“Member Partner”). GLWA and Member Partner are collectively referred to as the “Parties”.

RECITALS

- A. GLWA leases, operates, and maintains the public water supply system owned by the City of Detroit (“System”); and
- B. On July 1, 2015, the Parties entered a Water Service Contract (“Contract”) reflecting the terms and conditions governing the delivery and purchase of potable water, as subsequently amended and assigned; and
- C. GLWA has determined that its charge methodology renders irrelevant the “minimum take or pay” terms of Section 5.06 of the Contract; and
- D. Article 15 of the Contract permits the Parties to amend the Contract by mutual agreement; and
- E. In consideration of the mutual undertakings of the Parties and for the benefit of the public, it is the mutual desire of the Parties to enter this Amendment to amend the Contract as set forth in detail in the following sections.

ACCORDINGLY, THE PARTIES AGREE AS FOLLOWS:

- 1. Section 5.06 of the Contract is deleted in its entirety.
- 2. Exhibit A of the Contract is amended by deleting in its entirety the existing Exhibit A and substituting the attached Exhibit A in its place.
- 3. Exhibit B of the Contract is amended by deleting in its entirety the existing Exhibit B and substituting the attached Exhibit B in its place.
- 4. Except for the provisions of the Contract specifically contained in this Amendment, all other terms, conditions, and covenants contained in the Contract shall remain in full force and effect and as set forth in the Contract.
- 5. This Amendment to the Contract shall be effective and binding upon the Parties when it is signed and acknowledged by the duly authorized representatives of both Parties and is approved by Member Partner’s governing body and the GLWA Board of Directors.

Accordingly, GLWA and Member Partner, by and through their duly authorized officers and representatives, have executed this Amendment.

North Oakland County Water Authority:

By: _____
William D. Basigkow
Chairperson

APPROVED BY NORTH OAKLAND
COUNTY WATER AUTHORITY BOARD ON: _____
Date

Great Lakes Water Authority:

By: _____
Suzanne R. Coffey, P.E.
Chief Executive Officer

Dated: _____

APPROVED BY
GLWA BOARD OF DIRECTORS ON: _____
Date

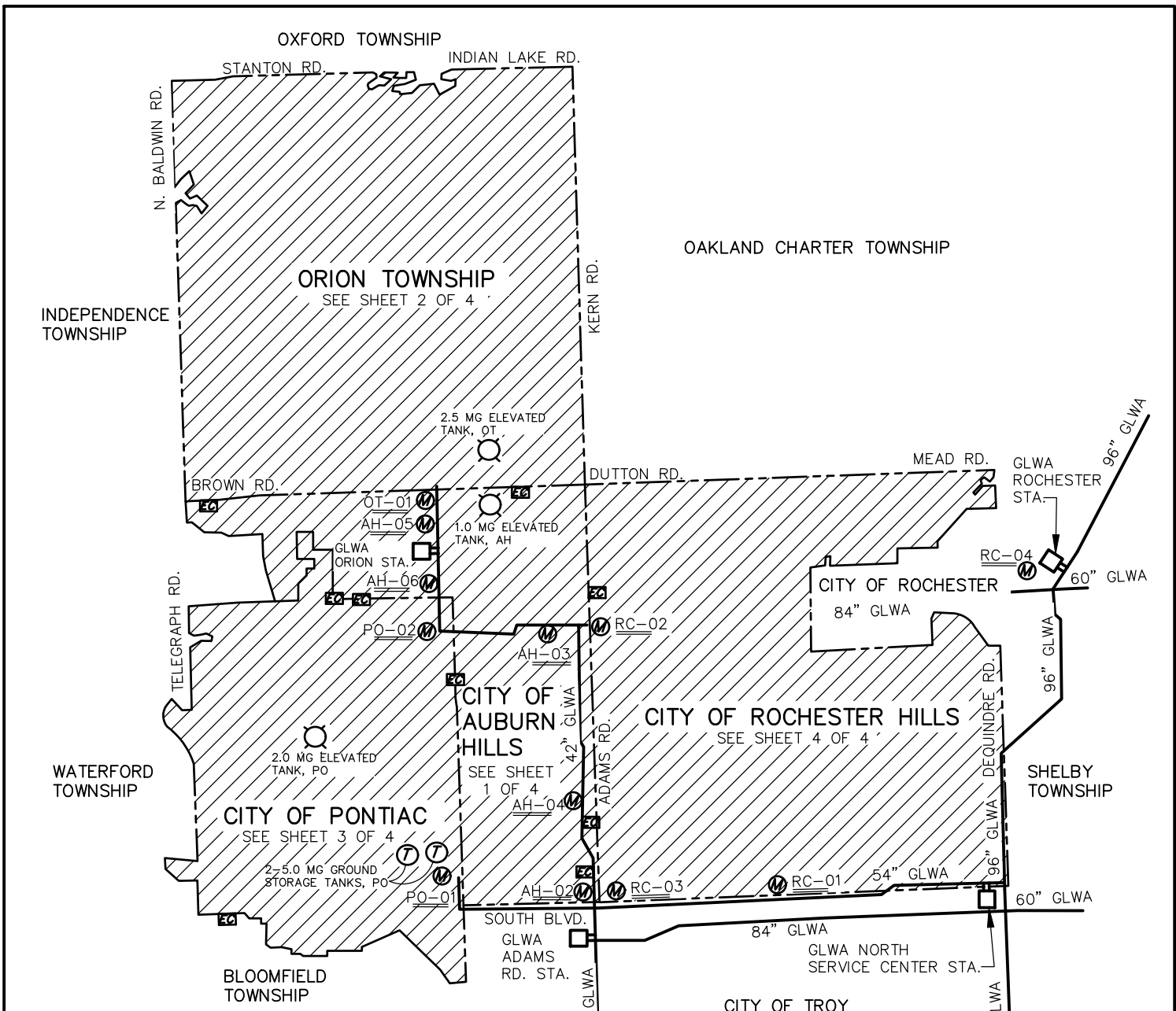
APPROVED AS TO FORM BY
GLWA GENERAL COUNSEL ON: _____
Signature/Date

EXHIBIT A

Customer's Water Distribution Points

This Exhibit contains the following information:

1. The corporate limits of Customer;
2. The agreed upon water Service Area of Customer which (a) may or may not be entirely within the corporate limits of Customer and (b) which may or may not include the entire area within the Customer's corporate limits;
3. The specific location of the Water Distribution Points, including any Board approved emergency connections;
4. The designation of appurtenances to be maintained by Customer and those to be maintained by the Board; and
5. A list of any closed meter locations.



GLWA—GREAT LAKES WATER AUTHORITY LEASED, OPERATED AND MAINTAINED (OWNED BY CITY OF DETROIT)
 AH—CITY OF AUBURN HILLS OWNERSHIP AND MAINTENANCE
 OT—ORION TOWNSHIP OWNERSHIP AND MAINTENANCE
 PO—CITY OF PONTIAC, OWNERSHIP AND MAINTENANCE BY WRC
 RC—CITY OF ROCHESTER HILLS OWNERSHIP AND MAINTENANCE

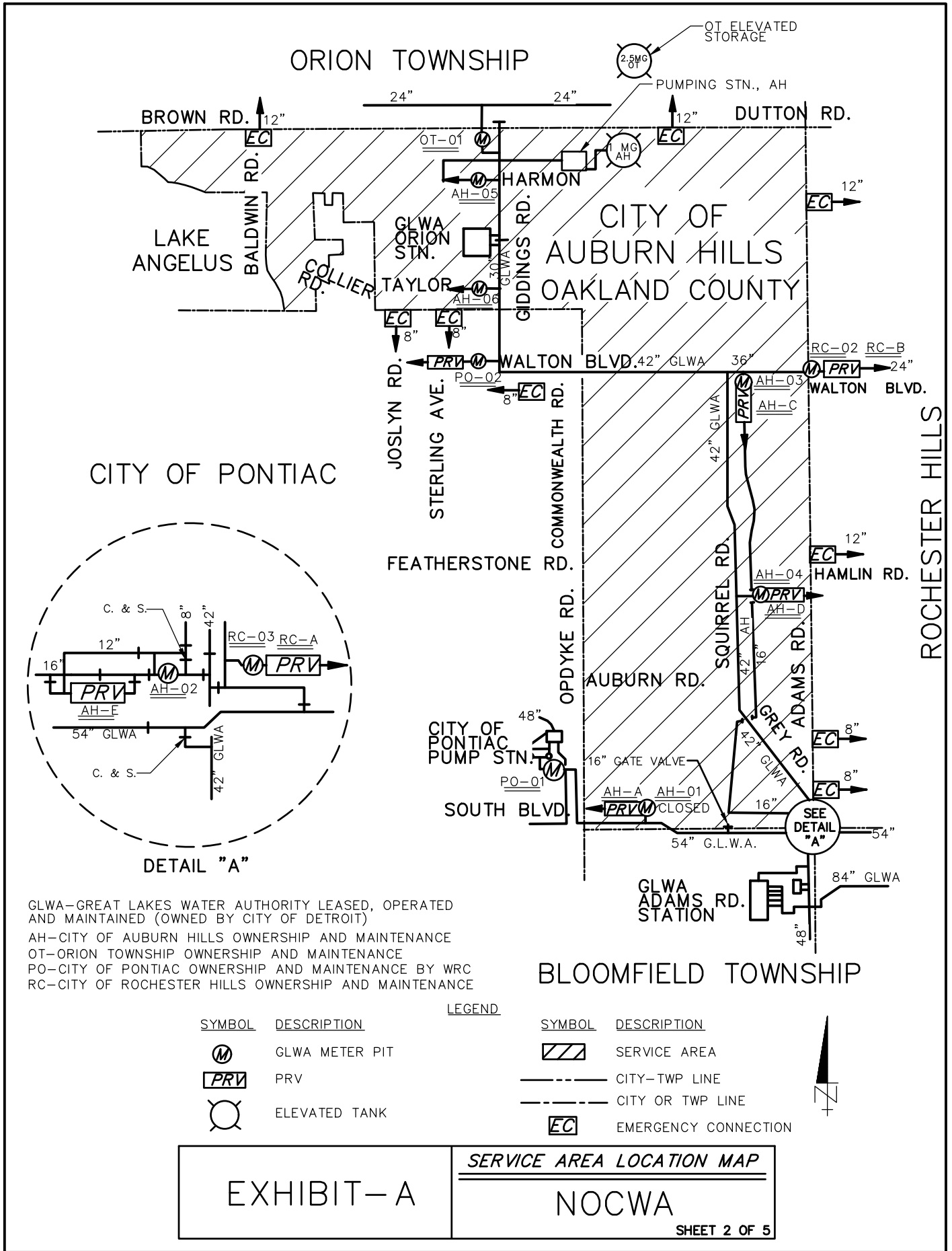
LEGEND

<u>SYMBOL</u>	<u>DESCRIPTION</u>	<u>SYMBOL</u>	<u>DESCRIPTION</u>
	GLWA MASTER METERS		ELEVATED TANK
	EMERGENCY CONNECTION		GROUND STORAGE TANK
	BOOSTER STATION		SERVICE AREA
	GROUND RESERVOIR		PRV
	GLWA PUMP STATION		CITY, TWP OR VLG LINE



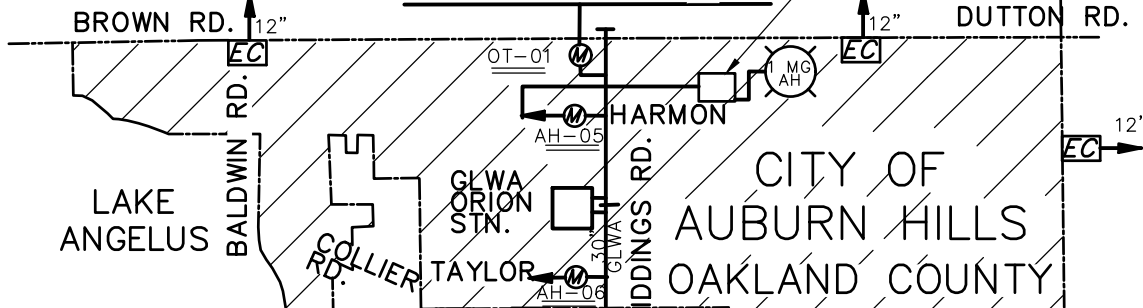
NOTE: OWNERSHIP OF PIPING NOT DESIGNATED AS GLWA IS NOCWA's OR ITS MEMBERS.

EXHIBIT—A	<p><i>SERVICE AREA LOCATION MAP</i></p> <p>NOCWA</p> <p>SHEET 1 OF 5</p>
-----------	---

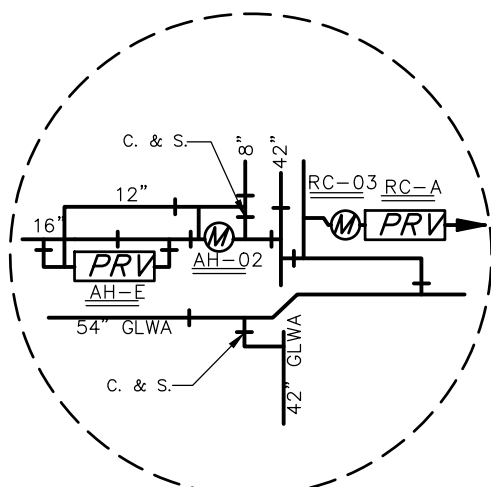


ORION TOWNSHIP

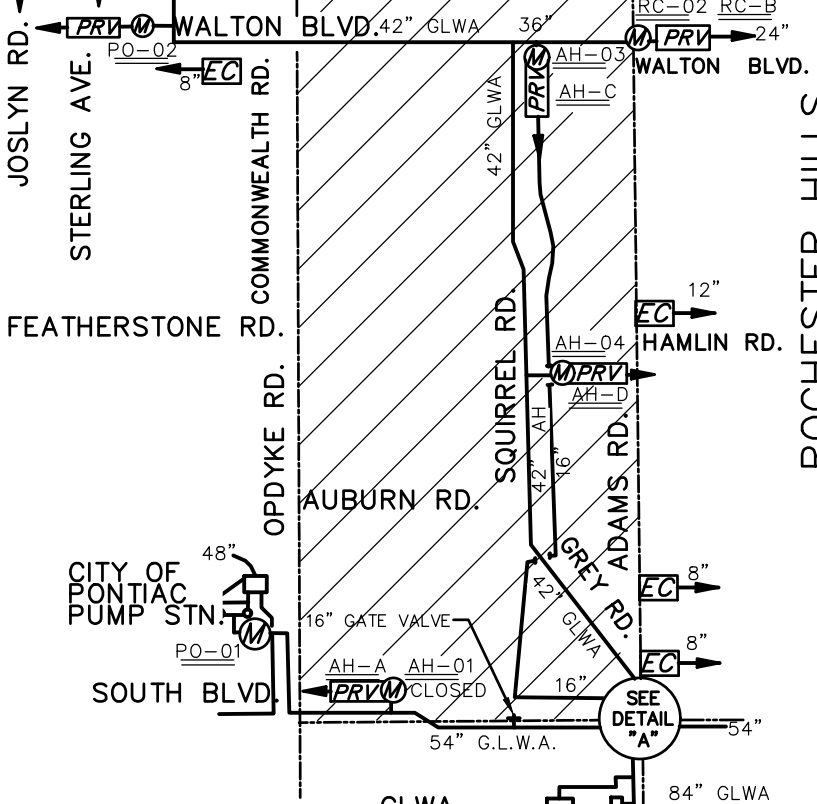
OT ELEVATED STORAGE
2.5MG OT
PUMPING STN., AH



CITY OF PONTIAC



DETAIL "A"



ROCHESTER HILLS

GLWA—GREAT LAKES WATER AUTHORITY LEASED, OPERATED AND MAINTAINED (OWNED BY CITY OF DETROIT)
AH—CITY OF AUBURN HILLS OWNERSHIP AND MAINTENANCE
OT—ORION TOWNSHIP OWNERSHIP AND MAINTENANCE
PO—CITY OF PONTIAC OWNERSHIP AND MAINTENANCE BY WRC
RC—CITY OF ROCHESTER HILLS OWNERSHIP AND MAINTENANCE

BLOOMFIELD TOWNSHIP

SYMBOL DESCRIPTION

	GLWA METER PIT
	PRV
	ELEVATED TANK

LEGEND

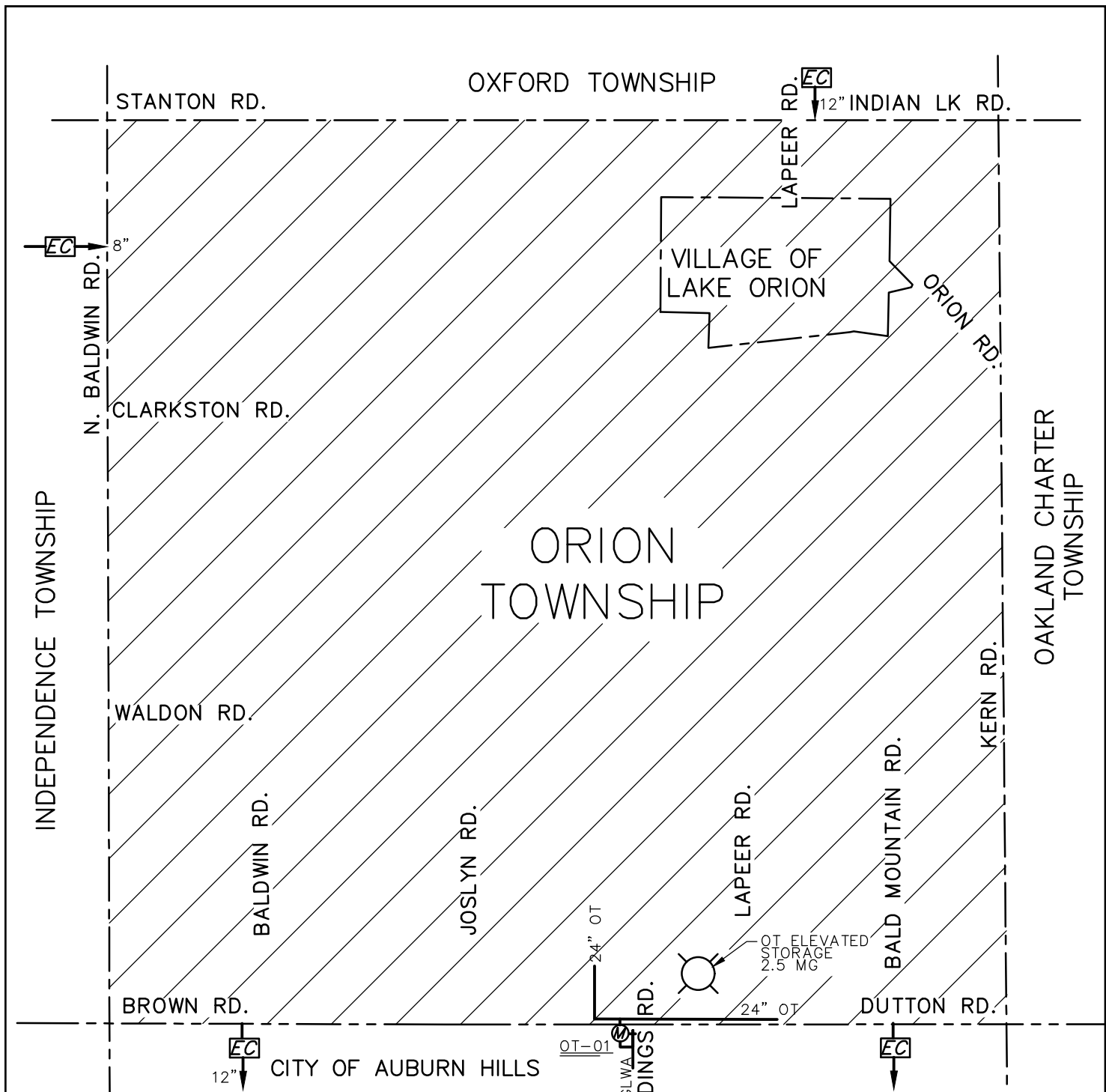
SYMBOL DESCRIPTION

	SERVICE AREA
	CITY-TWP LINE
	CITY OR TWP LINE
	EMERGENCY CONNECTION



EXHIBIT—A	SERVICE AREA LOCATION MAP
	NOCWA

SHEET 2 OF 5



GLWA—GREAT LAKES WATER AUTHORITY LEASED, OPERATED AND MAINTAINED (OWNED BY CITY OF DETROIT)
 OT—ORION TOWNSHIP OWNERSHIP AND MAINTENANCE

LEGEND

SYMBOL	DESCRIPTION
	GLWA METER PIT
	PRV
	EMERGENCY CONNECTION
	ELEVATED TANK

SYMBOL	DESCRIPTION
	SERVICE AREA
	CITY-TWP LINE
	CITY, VILLAGE OR TWP LINE



EXHIBIT-A	<p><i>SERVICE AREA LOCATION MAP</i></p> <p>NOCWA</p> <p>SHEET 3 OF 5</p>
-----------	---

CITY OF AUBURN HILLS

LAKE ANGELUS

GLWA ORION STN.

TAYLOR

GIDDINGS

W WALTON BLVD.

WALTON BLVD.

CITY OF PONTIAC

US-24

STERLING AVE

WATERFORD TOWNSHIP

TELEGRAPH

JOSLYN

MONTCALM

UNIVERSITY DR

CITY OF AUBURN HILLS

W HURON

BALDWIN

N. SAGINAW

M-59

AUBURN RD

CITY OF PONTIAC PUMP STA.

2-TANKS 5 MG. EACH

P.H.

ORCHARD LAKE RD

SYLVAN LAKE SERVED BY CITY OF PONTIAC

WIDE TRACK

M.A.L.R.R.

SOUTH BLVD.

CITY OF SYLVAN LAKE

WEST BLOOMFIELD TOWNSHIP

BLOOMFIELD TOWNSHIP

OAKLAND COUNTY

GLWA—GREAT LAKES WATER AUTHORITY LEASED, OPERATED AND MAINTAINED (OWNED BY CITY OF DETROIT)

AH—CITY OF AUBURN HILLS OWNERSHIP AND MAINTENANCE
OT—ORION TOWNSHIP OWNERSHIP AND MAINTENANCE

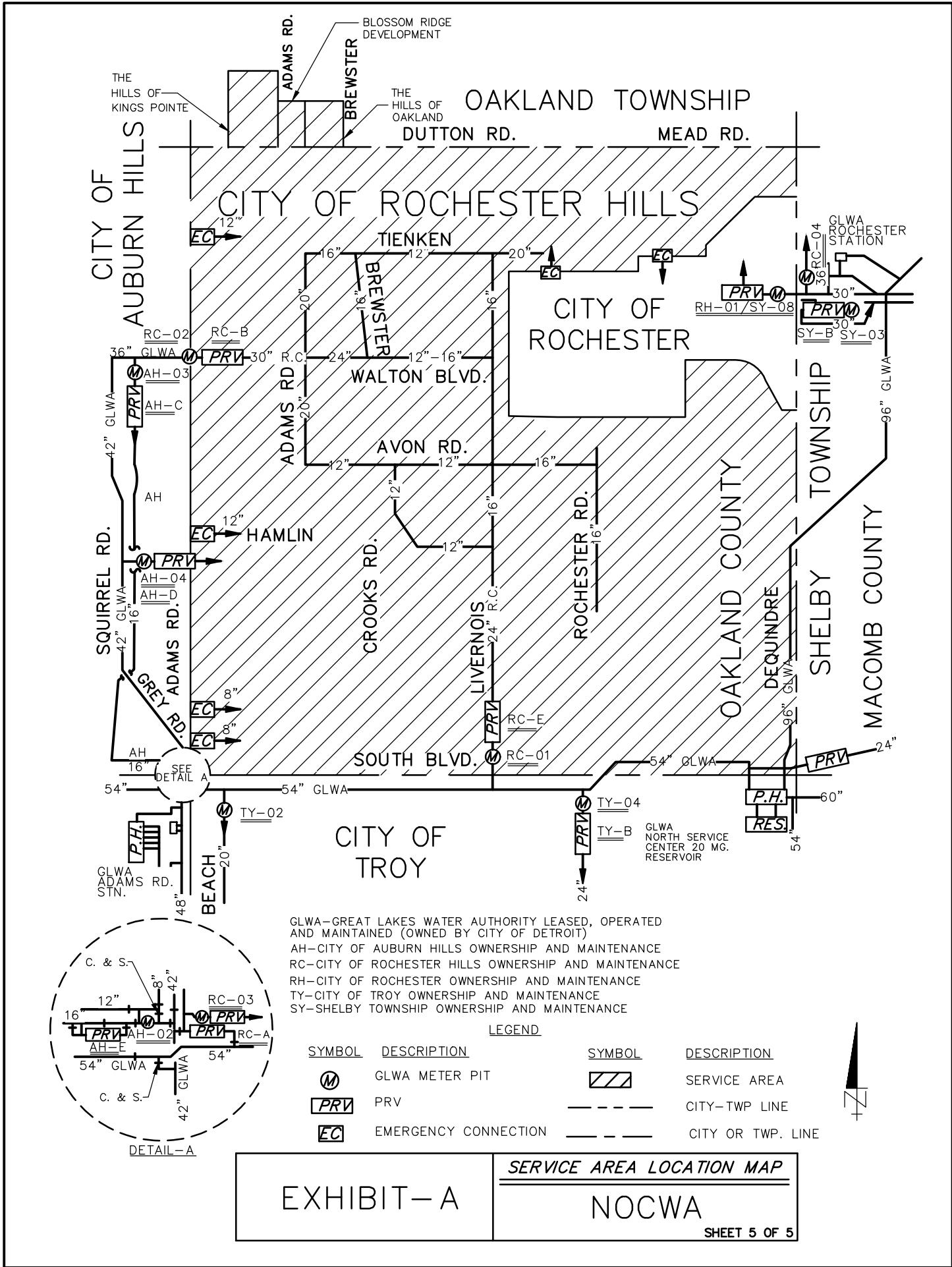
LEGEND

SYMBOL	DESCRIPTION
	EMERGENCY CONNECTION
	GLWA METER PIT
	PRV
	ELEVATED TANK

SYMBOL	DESCRIPTION
	GROUND STORAGE TANK
	CITY OR TWP LINE
	CITY-TWP LINE
	SERVICE AREA



EXHIBIT—A	<u>SERVICE AREA LOCATION MAP</u>
	NOCWA
	SHEET 4 OF 5



GLWA—GREAT LAKES WATER AUTHORITY LEASED, OPERATED AND MAINTAINED (OWNED BY CITY OF DETROIT)
 AH—CITY OF AUBURN HILLS OWNERSHIP AND MAINTENANCE
 RC—CITY OF ROCHESTER HILLS OWNERSHIP AND MAINTENANCE
 RH—CITY OF ROCHESTER OWNERSHIP AND MAINTENANCE
 TY—CITY OF TROY OWNERSHIP AND MAINTENANCE
 SY—SHELBY TOWNSHIP OWNERSHIP AND MAINTENANCE

LEGEND

SYMBOL	DESCRIPTION	SYMBOL	DESCRIPTION
	GLWA METER PIT		SERVICE AREA
	PRV		CITY-TWP LINE
	EMERGENCY CONNECTION		CITY OR TWP. LINE

EXHIBIT-A

SERVICE AREA LOCATION MAP
NOCWA
 SHEET 5 OF 5

EXHIBIT A

City of Auburn Hills Emergency Connections:

Connections to City of Pontiac

8" GV&W south of the intersections at Collier Road and Joslyn Road

8" GV&W at the intersection of Collier Road and Stirling Ave.

8" GV&W located at 1842 Commonwealth

Connection to Orion Township

12" GV&W in the Baldwin Commons Shopping Center, west of Baldwin Road and south of Brown Road

12" GV&W 500 ft. east of the intersection of Dutton and Bald Mountain Roads

Connections to City of Rochester Hills

8" GV&W located at 3821 Adams Road

8" GV&W located at 3741 Adams Road

12" GV&W located at 3900 Hamlin Road

12" GV&W at 3990 W Tienken Road

Orion Township Emergency Connections:

Connection to Auburn Hills

12" GV&W in the Baldwin Commons Shopping Center, west of Baldwin Road and south of Brown Road

12" GV&W 500 feet east of the intersection of Dutton and Bald Mountain Roads

Connection to Oxford Township (Non-GLWA, well supply)

12" GV&W on Indian Lake Road at Lapeer Road

Connections to Independence Township (Non-GLWA)

8" GV&W located at Klais Road and Bladwin Road

City of Pontiac Emergency Connections:

Connections to Auburn Hills

8" GV&W south of the intersection of Collier Road and Joslyn Road

8" GV&W at the intersection of Collier Road and Stirling Avenue

8" GV&W at 1842 Commonwealth

Connection to Waterford Twp.

12" GV&W at the intersection of Telegraph and M-59

Connection to Bloomfield Twp.

8" GV&W located at 935 Golf Drive, East of Golf Dr. and Wagner Ave.

City of Rochester Hills Emergency Connections:

Connections to Auburn Hills

8" GV&W at 3821 Adams Road

8" GV&W 3741 Adams Road

12" GV&W at 3900 Hamlin
 12" GV&W at 3990 W Tienken Road

Connections to City of Rochester

Hydrant to hydrant connection at Cortland and Tienken
 12" GV&W at Paint Creek Trail and Tienken, near King's Cove

Connections to GLWA South Blvd. Transmission Main

16" GV connected to supply main of meter RC-01. To be operated only by GLWA staff.

City of Auburn Hills Water Customers Outside Corporate Limits:

Rochester Hills		
2731 South Adams Road		
Pontiac		
730 Collier	610 Collier	720 Collier
760 Collier	638 Collier	740 Collier
770 Collier	644 Collier	754 Collier
580 Collier	662 Collier	836 Collier
588 Collier	670 Collier	882 Collier
592 Collier	680 Collier	898 Collier
598 Collier	700 Collier	1716 Joslyn
602 Collier	710 Collier	

Orion Township Water Customers Outside Municipal Limits:

Grace Premier Senior Living along Lapeer Road to Orion Township

City of Pontiac Water Customers Outside Municipal Limits:

Bloomfield Twp.		
1015 Golf	1039 Golf	1960 Maward
1791 Orchard Lk	1803 Orchard Lk	1821 Orchard Lk
1843 Orchard Lk	1865 Orchard Lk	1950 Orchard Lk
1970 Orchard Lk	1975 Orchard Lk	1987 Orchard Lk
1991 Orchard Lk	1410 Telegraph S	1501 Telegraph S
691 Franklin	1782 Pontiac	1794 Pontiac
1400 Telegraph S (3 connections)	1415 Telegraph S (2 connections)	
City of Sylvan Lake		
345 Dick	346 Dick	351 Dick
910 James K	911 James K	915 James K
917 James K	919 James K	920 James K
929 James K	933 James K	937 James K
944 James K	949 James K	955 James K
958 James K	959 James K	964 James K
969 James K	975 James K	979 James K
985 James K	999 James K	362 Telegraph S
328 Telegraph		
Waterford Township		

1167 James K	1171 James K	1175 James K
1179 James K	2487 James K	2493 James K
2500 James K		

City of Rochester Hills Water Customers Outside Municipal Limits:

Oakland Township		
3500 Dutton	1374 Dutton	794 Dutton
3700 Dutton	1250 Dutton	788 Dutton
3300 Dutton	1780 Dutton	960 Dutton
1406 Dutton	5941 Southgate	5969 Southgate
5970 Paint Valley	685 Canyon	
Shelby Township		
50480 Dequindre	50960 Dequindre	49950 Dequindre
50870 Dequindre	50988 Dequindre	

Note: Subdivisions located in Oakland Township served by Rochester Hills are designated in Exhibit A Service Area Map and include The Hills of Oakland, The Hills of King Pointe, and Blossom Ridge.

City of Auburn Hills Master Meter(s) Not In Service:

AH-01

Orion Township Master Meter(s) Not In Service:

None.

City of Pontiac Master Meter(s) Not In Service:

None.

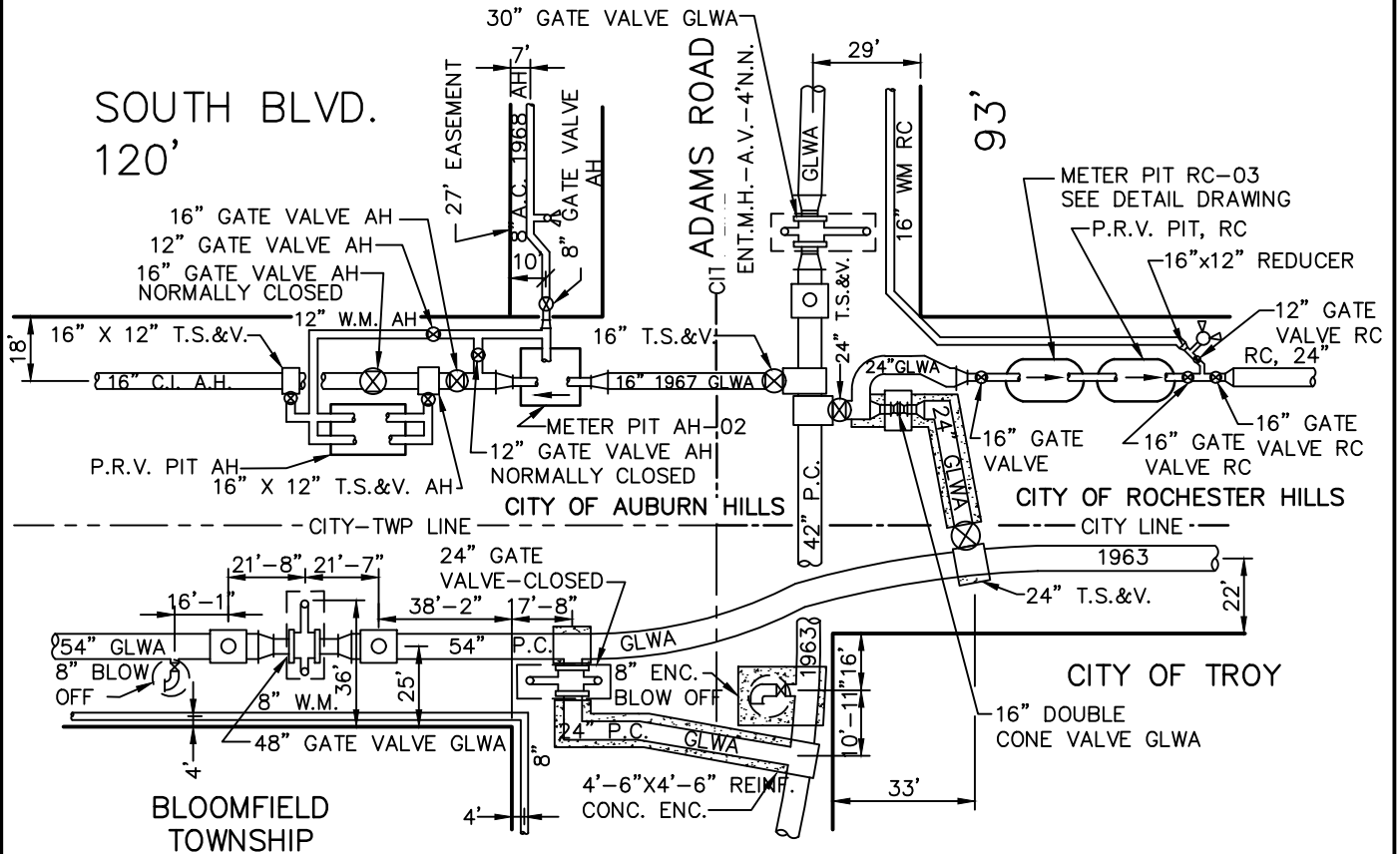
City of Rochester Hills Master Meter(s) Not In Service:

None.

EXHIBIT-A

AH-02

SOUTH BLVD AND ADAMS CITY OF AUBURN HILLS



SITE PLAN
NOT TO SCALE



RC – ROCHESTER HILLS
OWNERSHIP AND MAINTENANCE

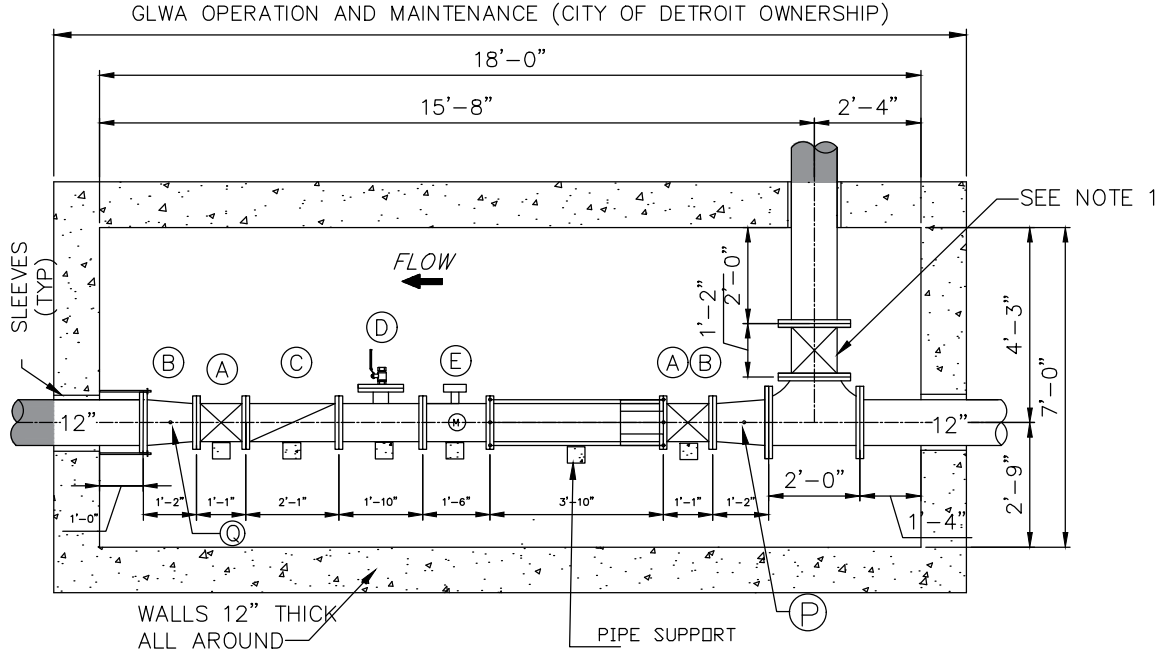
AH – AUBURN HILLS
OWNERSHIP AND MAINTENANCE

GLWA – GREAT LAKES WATER AUTHORITY
OPERATION AND MAINTENANCE
(CITY OF DETROIT OWNERSHIP)

LOCATIONS SUBJECT TO
VERIFICATION IN THE FIELD.



EXHIBIT-A AH-02 SOUTH BLVD AND ADAMS RD. CITY OF AUBURN HILLS



NOTE 1:
THIS VALVE IS NORMALLY CLOSED AND SHALL NOT BE OPERATED BY GLWA WITHOUT PERMISSION FROM AUBURN HILLS. THIS VALVE ISOLATES SERVICE AREA WITHOUT PRESSURE REDUCING FACILITIES. INADVERTENT OPERATION OF THIS VALVE CAN DAMAGE FACILITIES OF AUBURN HILLS.

METER PIT DETAIL
NOT TO SCALE



- AUBURN HILLS O&M
- P -UPSTREAM PRESSURE TRANSMITTER, GLWA OPERATION AND MAINTENANCE (CITY OF DETROIT OWNERSHIP)
 - Q -DOWNSTREAM PRESSURE TRANSMITTER, GLWA OPERATION AND MAINTENANCE (CITY OF DETROIT OWNERSHIP)

LEGEND			
TAG	QTY	DESCRIPTION	SIZE
A	2	GATE VALVE	10"
B	2	CONCENTRIC REDUCER	12" x 10"
C	1	CHECK VALVE	10"
D	1	TEST TEE WITH RESTRAINED FLANGE ADAPTER	10" x 8"
E	1	MAGMETER	10"

ADDRESS _____

FEED TO _____ CITY OF AUBURN HILLS

FEED FROM _____ GLWA TRANS. MAIN

TYPE OF METER _____ SIEMENS MAG5100W

SIZE OF METER _____ 10"

METER NUMBER _____ PBD-M2044508

DATE METER SET _____ 05/29/2020

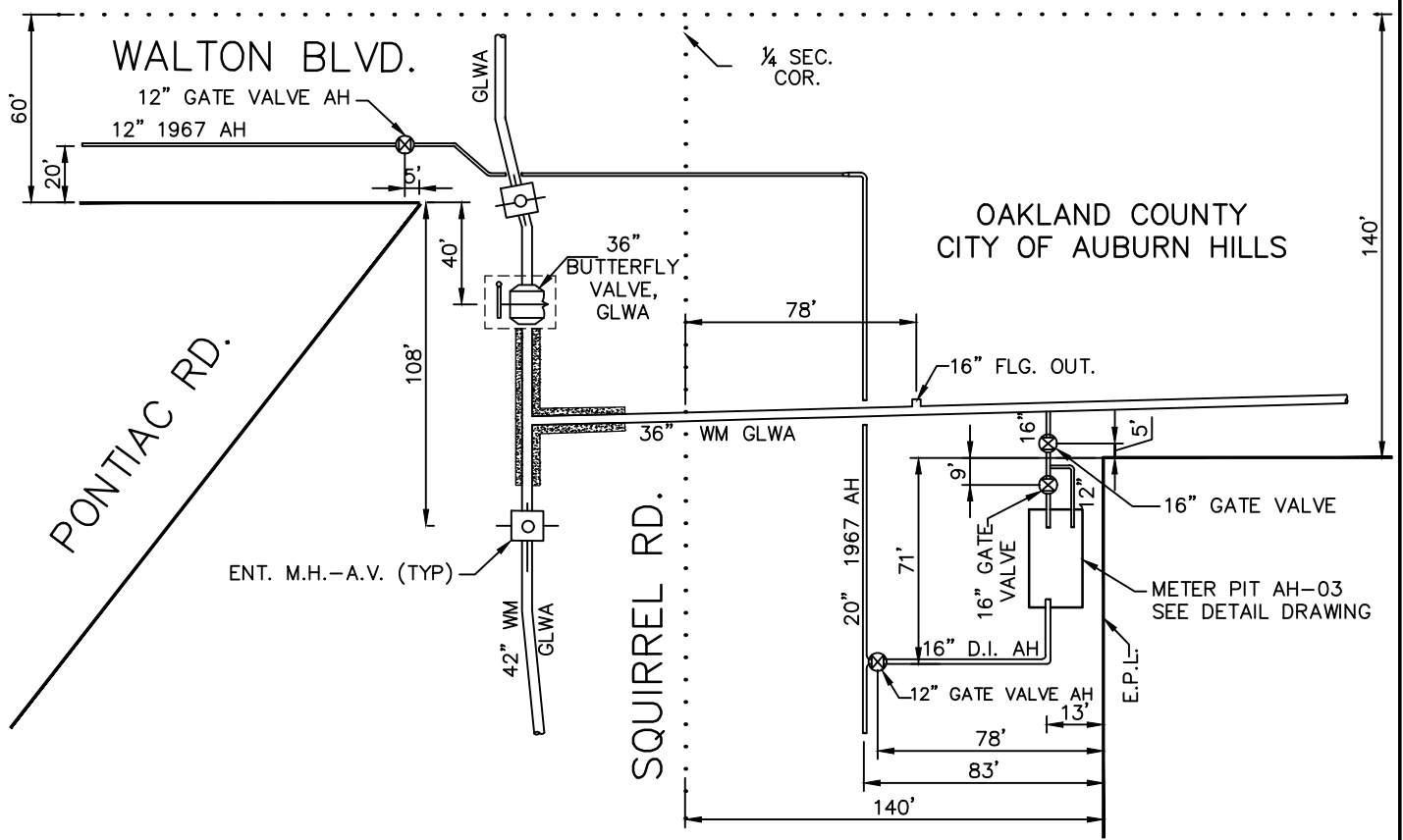
METER PIT CONST & SIZE _____ REINFORCED CONCRETE 18'-0" X 7'-0" I.D.

GATE BOOK No _____ N-1103

REMARKS _____



EXHIBIT-A AH-03 WALTON AND SQUIRREL RD. CITY OF AUBURN HILLS



AH - AUBURN HILLS
OWNERSHIP AND MAINTENANCE

GLWA- GREAT LAKES WATER AUTHORITY
OPERATION AND MAINTENANCE
(CITY OF DETROIT OWNERSHIP)

SITE PLAN
NOT TO SCALE

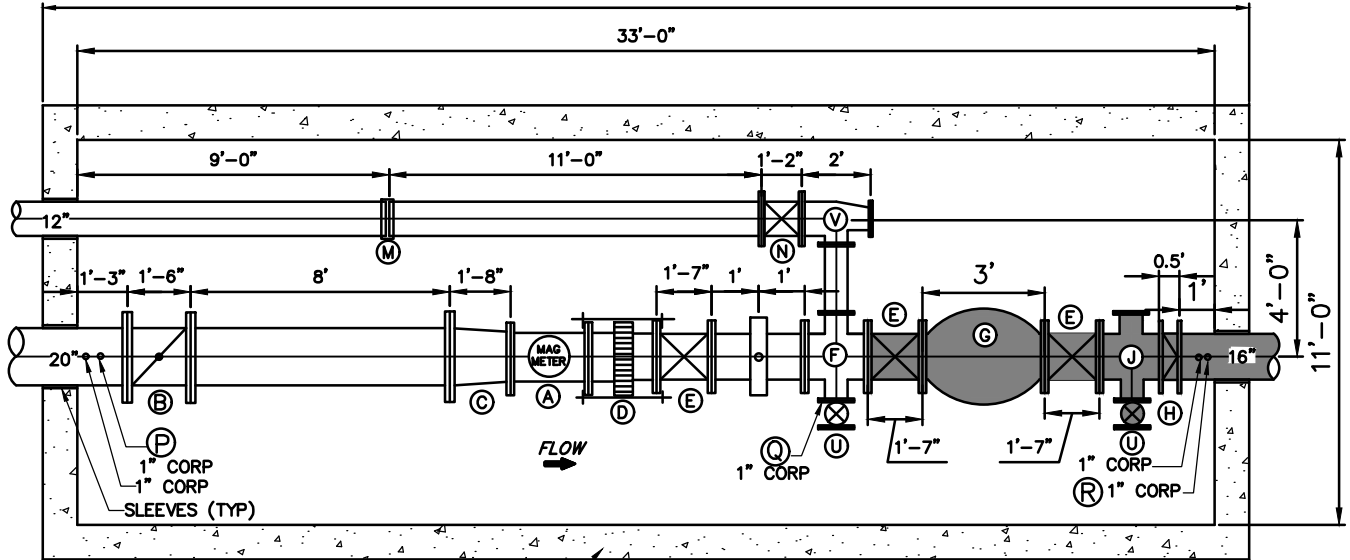


LOCATIONS SUBJECT TO
VERIFICATION IN THE FIELD.



EXHIBIT-A AH-03 WALTON AND SQUIRREL RD. CITY OF AUBURN HILLS

GLWA OPERATION AND MAINTENANCE (CITY OF DETROIT OWNERSHIP)



WALLS 12" THICK
ALL AROUND



AUBURN HILLS O&M

METER PIT DETAIL

NOT TO SCALE



GLWA-GREAT LAKES WATER AUTHORITY

LEGEND			
TAG	QTY	DESCRIPTION	SIZE
A	1	MAG METER	16"
B	1	BUTTERFLY VALVE	20"
C	1	REDUCER	20"x16"
D	1	MECHANICAL COUPLING	16"
E	3	CCW GATE VALVE	16"
F	1	FITTING	16"x16"x12"x8"
G	1	PRESSURE REDUCING VALVE	16"
H	1	CHECK VALVE	16"
J	2	CCW GATE VALVE	8"
K	1	PRESSURE REDUCING VALVE	8"
L	1	COUPLING	8"
M	1	COUPLING	12"
N	1	CCW GATE VALVE	12"
U	2	BALL VALVE	2"
V	1	TEE	12"x12"x8"

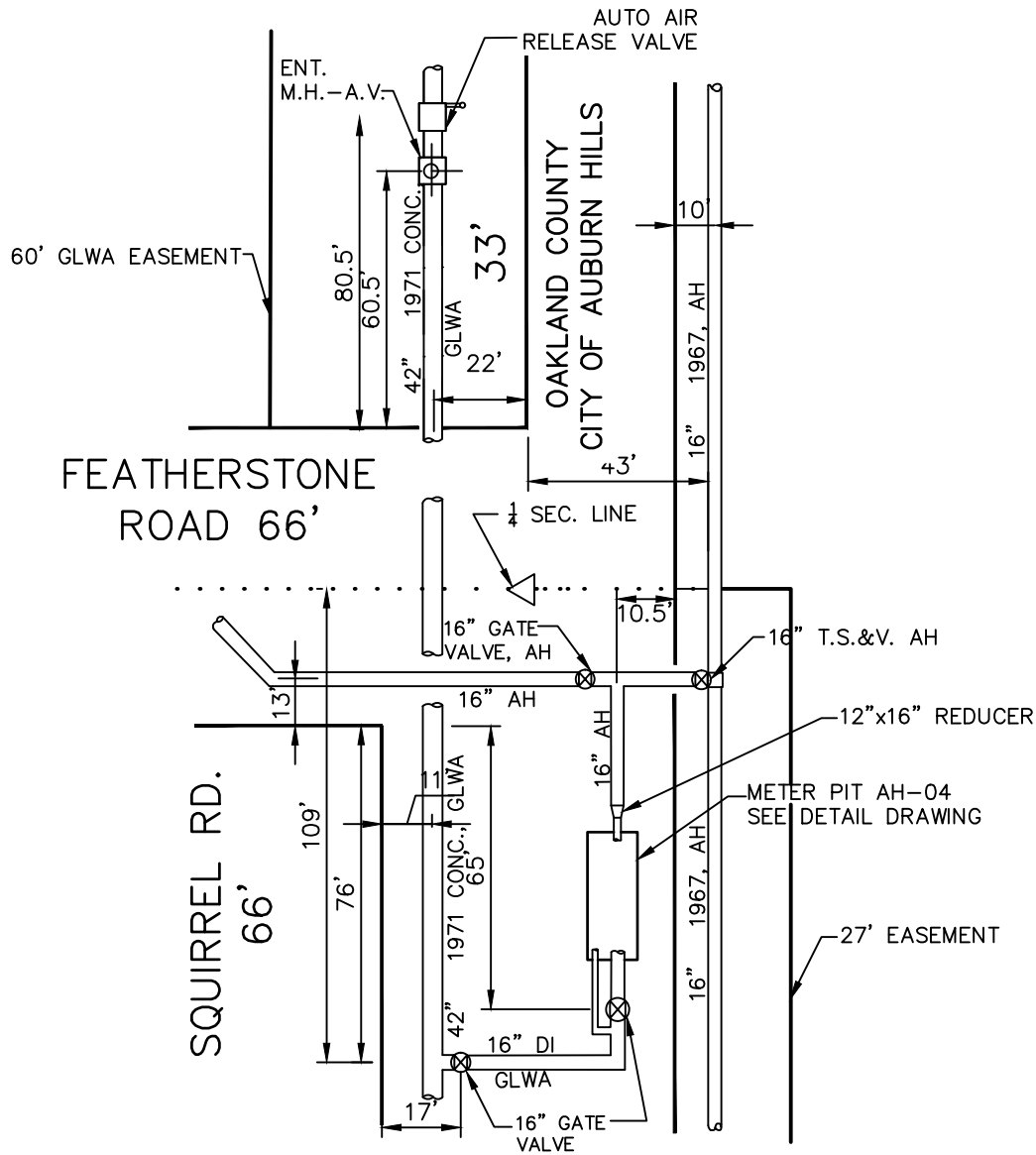
TYPICAL PRESSURE LOSS THRU METER	
METER TYPE	P.S.I. LOSS
VENTURI	1 - 2
MAG	0
TURBINE	4 - 6

- (P) - UPSTREAM PRESSURE TRANSMITTER, G.L.W.A. OPERATION & MAINTENANCE (CITY OF DETROIT OWNERSHIP)
- (Q) - OTHER PRESSURE TRANSMITTER, G.L.W.A. OPERATION & MAINTENANCE (CITY OF DETROIT OWNERSHIP)
- (R) - OTHER PRESSURE TRANSMITTER, G.L.W.A. OPERATION & MAINTENANCE (CITY OF DETROIT OWNERSHIP)

ADDRESS _____ 3990 WALTON BLVD.
 FEED TO _____ CITY OF AUBURN HILLS
 FEED FROM _____ 42" GLWA TRANS. MAIN
 TYPE OF METER _____ ABB, MAGMETER
 SIZE OF METER _____ 16"
 METER NUMBER _____ 3K620000015287
 DATE METER SET _____ 25 MAR 2010
 METER PIT CONST & SIZE _____ REINFORCED CONCRETE 33' X 11' I.D.



EXHIBIT-A AH-04 FEATHERSTONE RD. AND SQUIRREL RD. CITY OF AUBURN HILLS



AH - AUBURN HILLS
OWNERSHIP AND MAINTENANCE

GLWA - GREAT LAKES WATER AUTHORITY
OPERATION AND MAINTENANCE
(CITY OF DETROIT OWNERSHIP)

SITE PLAN
NOT TO SCALE

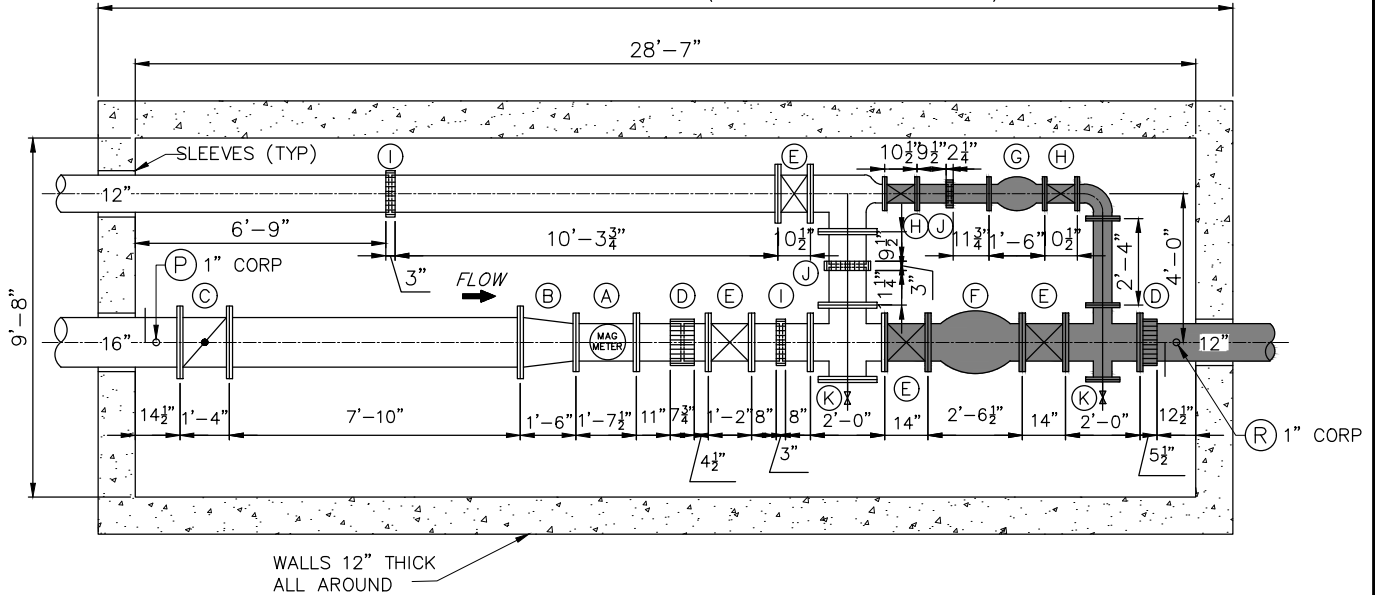


LOCATIONS SUBJECT TO
VERIFICATION IN THE FIELD.



EXHIBIT-A
AH-04
FEATHERSTONE RD. AND SQUIRREL
RD. CITY OF AUBURN HILLS

GLWA OPERATION AND MAINTENANCE (CITY OF DETROIT OWNERSHIP)



AUBURN HILLS O&M
GLWA-GREAT LAKES WATER AUTHORITY

METER PIT DETAIL +Z
NOT TO SCALE

LEGEND			
TAG	QTY	DESCRIPTION	SIZE
A	1	ABB MAG METER	12"
B	1	REDUCER	16"X12"
C	1	BUTTERFLY VALVE (ORIFICE PLATE)	16"
D	2	COUPLING - MECHANICAL	12"
E	4	GATE VALVE (CCW TO OPEN)	12"
F	1	PRESSURE REDUCING VALVE	12"
G	1	PRESSURE REDUCING VALVE	6"
H	2	GATE VALVE (CCW TO OPEN)	6"
I	2	COUPLING	12"
J	2	COUPLING	6"
K	2	GATE VALVE	2"

TYPICAL PRESSURE LOSS THRU METER	
METER TYPE	P.S.I. LOSS
VENTURI	1 - 2
MAG	0
TURBINE	4 - 6

(P) - UPSTREAM PRESSURE TRANSMITTER, G.L.W.A. OPERATION & MAINTENANCE (CITY OF DETROIT OWNERSHIP)

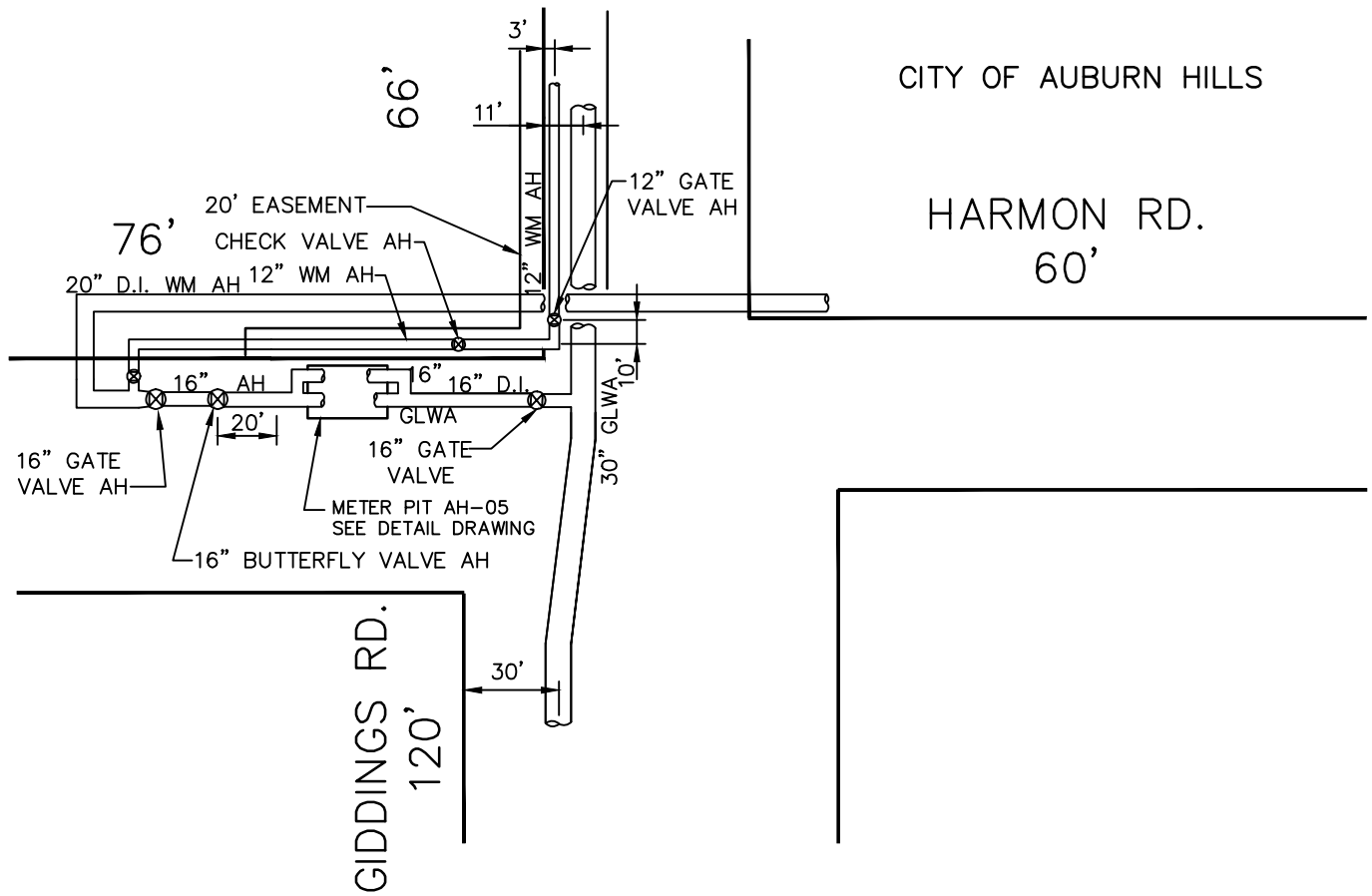
(R) - OTHER PRESSURE TRANSMITTER, G.L.W.A. OPERATION & MAINTENANCE (CITY OF DETROIT OWNERSHIP)

AUBURN HILLS ALSO HAS PRESSURE TRANSMITTERS AT THESE LOCATIONS.

ADDRESS _____
 FEED TO _____ CITY OF AUBURN HILLS
 FEED FROM _____ 42" GLWA TRANS. MAIN
 TYPE OF METER _____ ABB MAGMETER
 SIZE OF METER _____ 12"
 METER NUMBER _____ 3K620000017977
 DATE METER SET _____ NOVEMBER 24, 2009
 METER PIT CONST & SIZE _____ 28'-5" X 9'-8" I.D. REINF. CONC.
 GATE BOOK No _____ N-1169
 REMARKS _____ WS-197-13 F.B. 1973-A-19 & 20



EXHIBIT-A AH-05 HARMON RD. AND GIDDINGS RD. CITY OF AUBURN HILLS



SITE PLAN
NOT TO SCALE

AH - AUBURN HILLS
OWNERSHIP AND MAINTENANCE

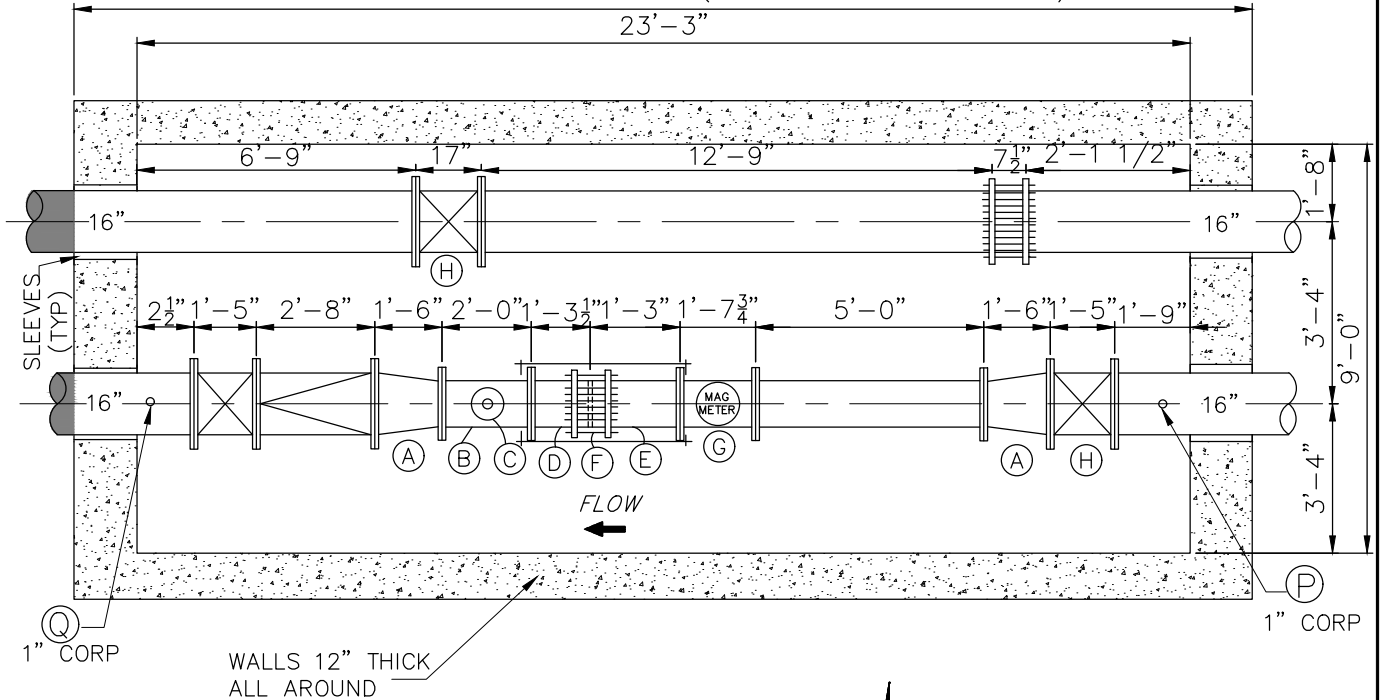
GLWA- GREAT LAKES WATER AUTHORITY
OPERATION AND MAINTENANCE
(CITY OF DETROIT OWNERSHIP)

LOCATIONS SUBJECT TO
VERIFICATION IN THE FIELD.



EXHIBIT-A
AH-05
HARMON RD. AND GIDDINGS RD.
CITY OF AUBURN HILLS

GLWA OPERATION AND MAINTENANCE (CITY OF DETROIT OWNERSHIP)



METER PIT DETAIL
NOT TO SCALE

AUBURN HILLS O&M
GLWA-GREAT LAKES WATER AUTHORITY



LEGEND			
TAG	QTY	DESCRIPTION	SIZE
A	2	FLGD. CONCENTRIC REDUCERS, D.I. 18'	16 X 12"
B	1	FLGD. TEST TEE, D+1, 12" C-F	12" X 4"
C	1	TEST TEE ASSEMBLY w/ 3" X 9" O.D. COMPANION FLANGE	-
D	1	F-PE PIPE, GADR, D.I.	12" X 1'-3 1/2"
E	1	F-PE PIPE, GADR, D.I.	12" X 1'-3"
F	1	'DRESSER STYLE' PIPE COUPLING	12"
G	1	FLGD. MAGNETIC FLOWMETER, 19.75" F-F	12"
H	3	GATE VALVES	16"

TYPICAL PRESSURE LOSS THRU METER	
METER TYPE	P.S.I. LOSS
VENTURI	1 - 2
MAG	0
TURBINE	4 - 6

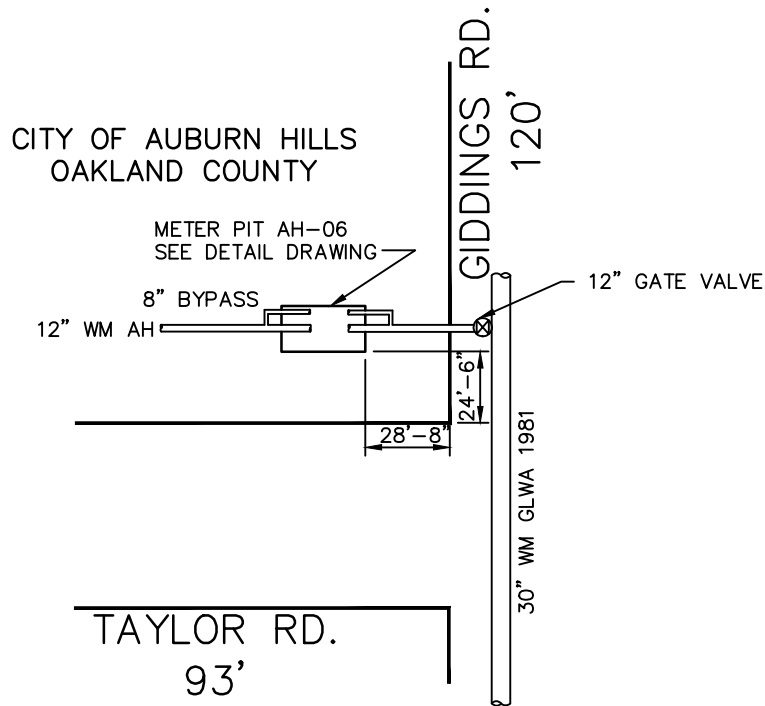
- (P) - UPSTREAM PRESSURE TRANSMITTER, G.L.W.A. OPERATION & MAINTENANCE (CITY OF DETROIT OWNERSHIP)
- (R) - DOWNSTREAM PRESSURE TRANSMITTER, G.L.W.A. OPERATION & MAINTENANCE (CITY OF DETROIT OWNERSHIP)

AUBURN HILLS ALSO HAS PRESSURE TRANSMITTERS AT THESE LOCATIONS.

ADDRESS _____ 1750 HARMON
 FEED TO _____ CITY OF AUBURN HILLS
 FEED FROM _____ 30" GLWA W.M.
 TYPE OF METER _____ ABB MAG
 SIZE OF METER _____ 12"
 METER NUMBER _____ V133112 / 1 / 1
 DATE METER SET _____ 8/20/2002
 METER PIT CONST & SIZE _____ 23'-3" X 9'-0" I.D. REINF. CONC.
 SECTION MAP No. _____ 10-10
 GATE BOOK No. _____ N-1589
 REMARKS _____ UPDATED 11/03



EXHIBIT-A
 AH-06
 TAYLOR AND GIDDINGS RD.
 CITY OF AUBURN HILLS



AH - AUBURN HILLS
 OWNERSHIP AND MAINTENANCE
 GLWA- GREAT LAKES WATER AUTHORITY
 OPERATION AND MAINTENANCE
 (CITY OF DETROIT OWNERSHIP)

SITE PLAN
 NOT TO SCALE

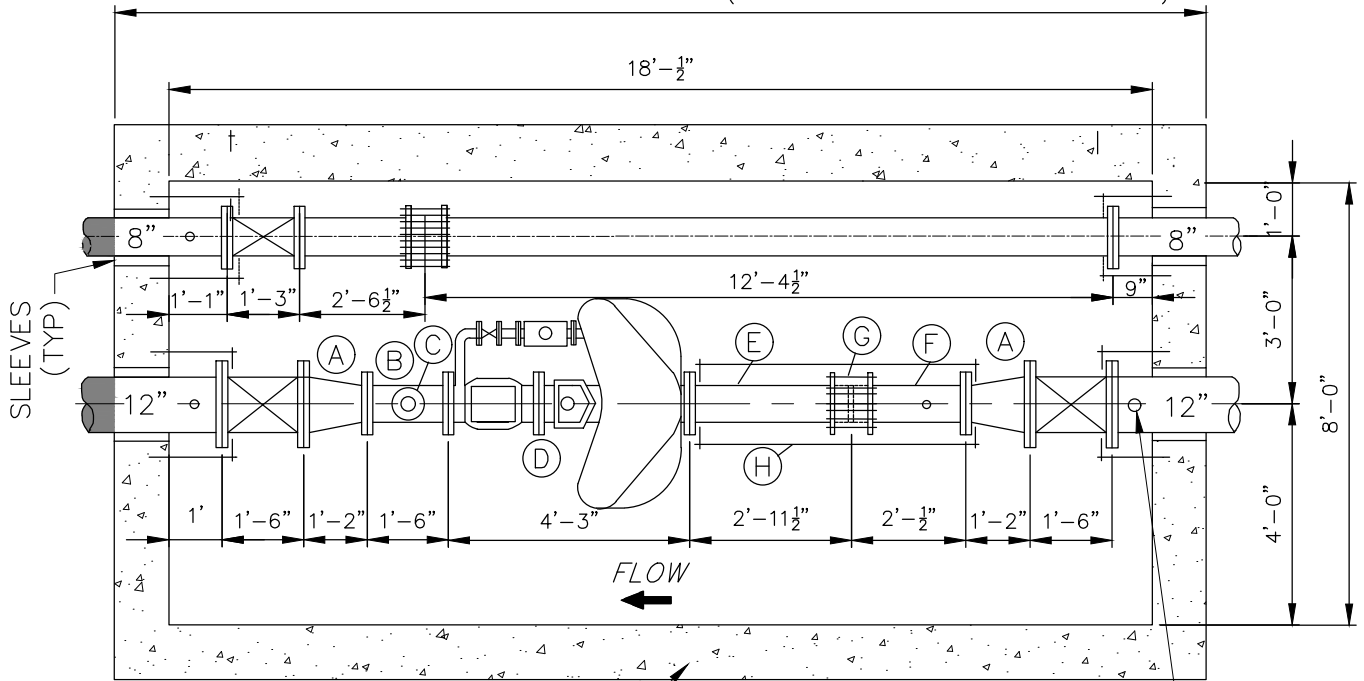


LOCATIONS SUBJECT TO
 VERIFICATION IN THE FIELD.



EXHIBIT-A
AH-06
TAYLOR AND GIDDINGS RD.
CITY OF AUBURN HILLS

GLWA OPERATION AND MAINTENANCE (CITY OF DETROIT OWNERSHIP)



WALLS 12" THICK
ALL AROUND

METER PIT DETAIL
NOT TO SCALE

■ AUBURN HILLS O&M

LEGEND			
TAG	QTY	DESCRIPTION	SIZE
A	2	FLGD. CONCENTRIC REDUCERS, D.D. 14" F-F	12" x 8"
B	1	FLGD. TEST TEE, D.I. 9" C-F	8" X 3"
C	1	TEST TEE ASSEMBLY W/ 3" COMPANION FLANGE	-
D	1	FLGD. SENSUS FIRELINE METER, W5500, 90" F-F	8"
E	1	F-PE PIPE, CADR, D.I.	8" X 2'-11"
F	1	F-PE PIPE, W/1" TAP FOR CORP. STOP, GADR, D.I.	8" X 2"
G	1	'DRESSER STYLE' PIPE COUPLING	8"
H	LOT	COUPLING RESTRAINT: [4] 63" LONG THRD. RODS, [8] EAR PLATES	3/4"

TYPICAL PRESSURE LOSS THRU METER	
METER TYPE	P.S.I. LOSS
VENTURI	1 - 2
MAG	0
TURBINE	4 - 6

(P) -UPSTREAM PRESSURE TRANSMITTER, G.L.W.A. OPERATION & MAINTENANCE (CITY OF DETROIT OWNERSHIP)

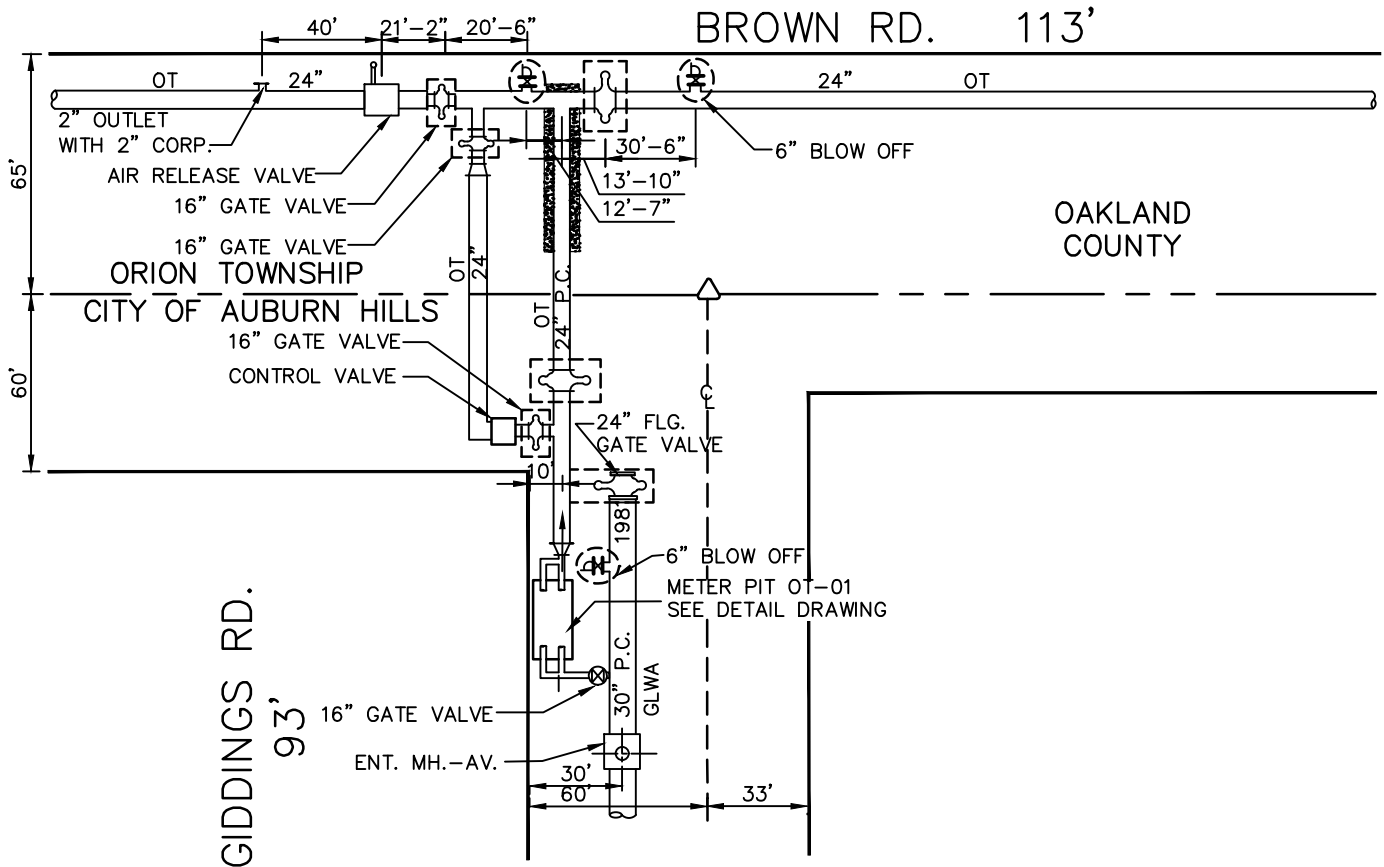
ADDRESS _____
 FEED TO _____ CITY OF AUBURN HILLS
 FEED FROM _____ GLWA TRANS. MAIN
 TYPE OF METER _____ SENSUS TURBO
 SIZE OF METER _____ 8" X 2"
 METER NUMBER _____ 8")1563580 & 2")1564330
 DATE METER SET _____ SEPTEMBER 14, 1999
 METER PIT CONST & SIZE _____ REINFORCED CONCRETE 18'-1/2" X 8'-0" I.D.
 GATE BOOK No _____
 REMARKS _____

AH
06

EXHIBIT-A

OT-01

BROWN RD. AND GIDDINGS RD. ORION TOWNSHIP



OT - ORION TOWNSHIP
OWNERSHIP AND MAINTENANCE
GLWA - GREAT LAKES WATER AUTHORITY
OPERATION AND MAINTENANCE
(CITY OF DETROIT OWNERSHIP)

SITE PLAN
NOT TO SCALE



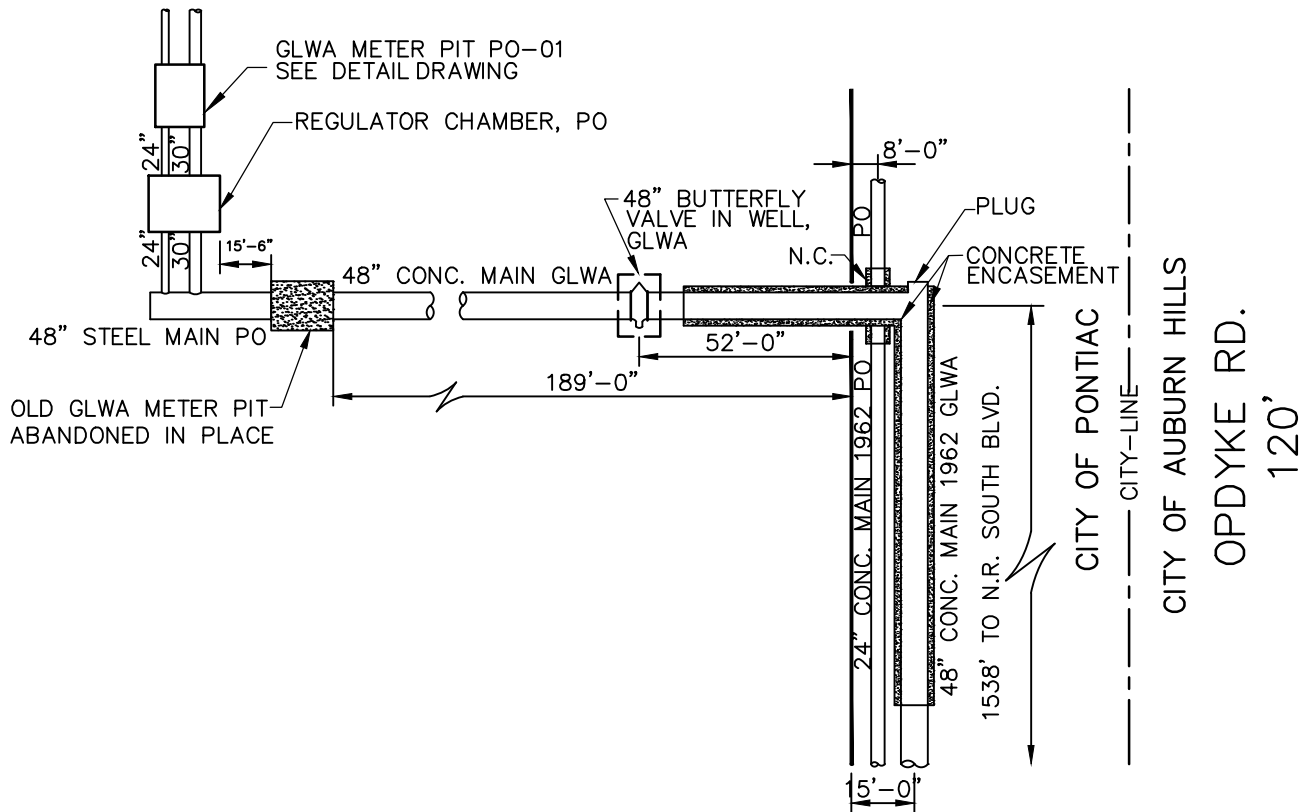
LOCATIONS SUBJECT TO
VERIFICATION IN THE FIELD.



EXHIBIT-A

PO-01

OPDYKE AND SOUTH BLVD. CITY OF PONTIAC



SITE PLAN
NOT TO SCALE



PO – CITY OF PONTIAC, OWNERSHIP
AND MAINTENANCE BY WRC

GLWA– GREAT LAKES WATER AUTHORITY
OPERATION AND MAINTENANCE
(CITY OF DETROIT OWNERSHIP)

LOCATIONS SUBJECT TO
VERIFICATION IN THE FIELD.

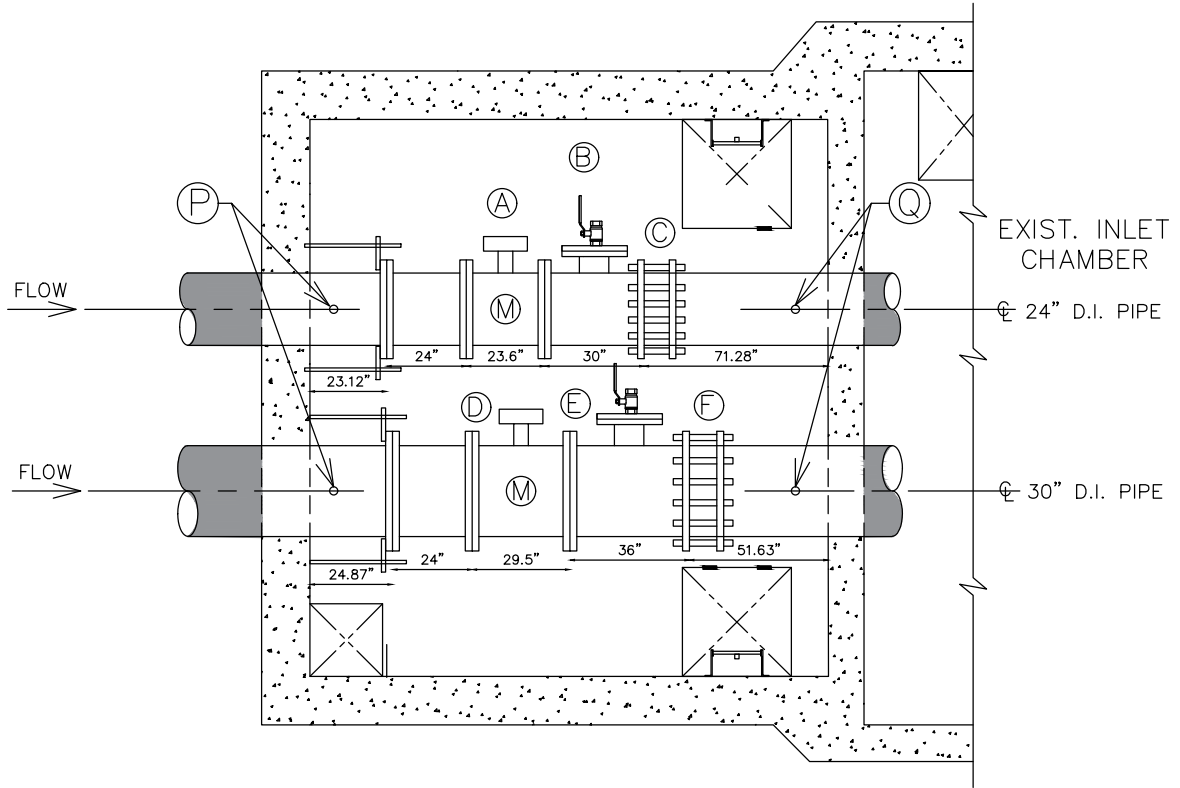


EXHIBIT-A

PO-01

OPDYKE AND SOUTH BLVD

CITY OF PONTIAC



METER PIT DETAIL
NOT TO SCALE

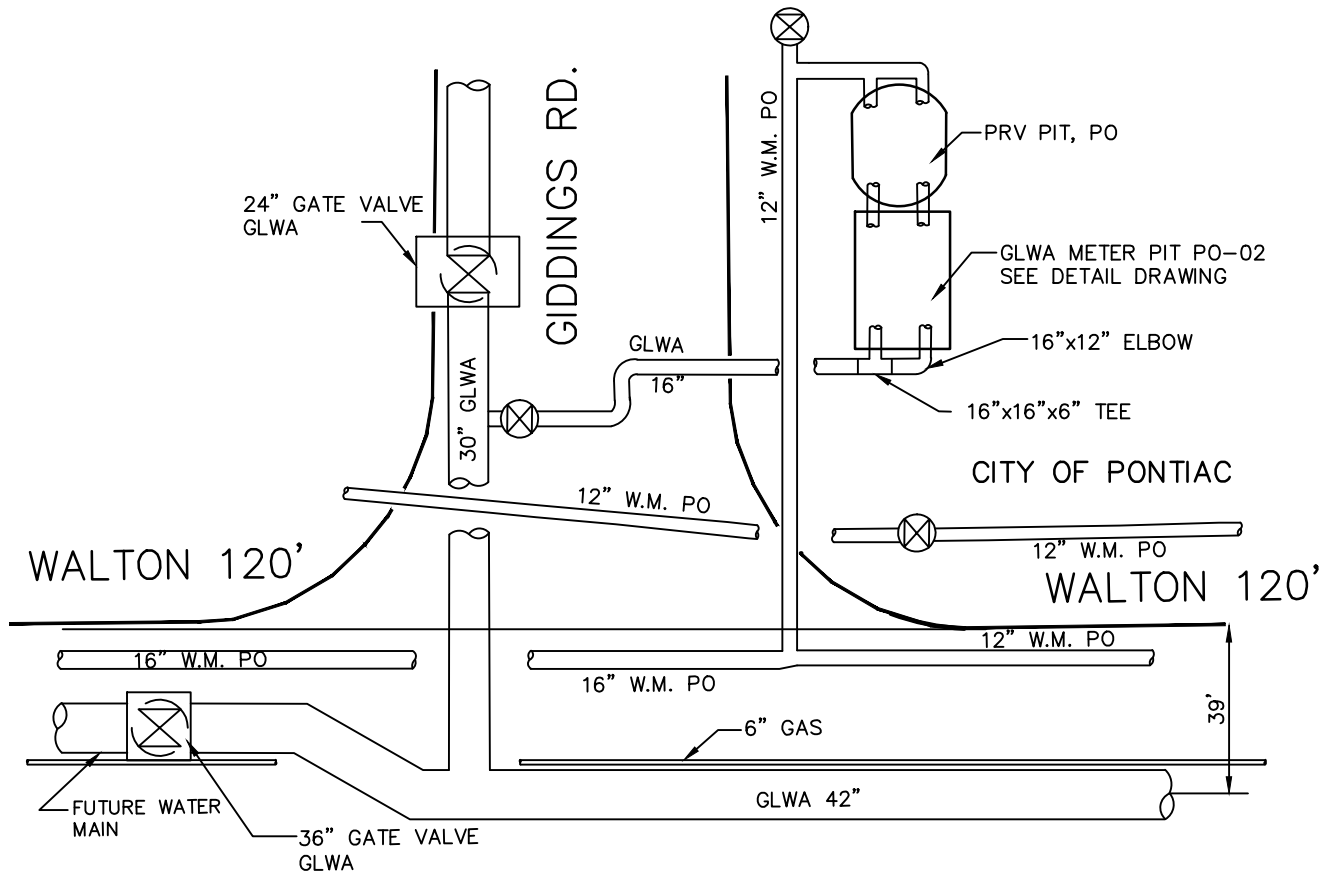
LEGEND			
TAG	QTY	DESCRIPTION	SIZE
A	1	MAG METER	24"
B	1	TEST TEE	24"X12"
C	1	MEGAFLANGE	24"
D	1	MAG METER	30"
E	1	TEST TEE	30"X12"
F	1	MEGAFLANGE	30"

- CITY OF PONTIAC, OWNERSHIP AND MAINTENANCE BY WRC
- UPSTREAM PRESSURE TRANSMITTER
GLWA OPERATION & MAINTENANCE
(CITY OF DETROIT OWNERSHIP)
- DOWNSTREAM PRESSURE TRANSMITTER
GLWA OPERATION & MAINTENANCE
(CITY OF DETROIT OWNERSHIP)

FEED TO _____	CITY OF PONTIAC
FEED FROM _____	D.W.S.D. TRANS. MAIN 48"
TYPE OF METER _____	SIEMENS MAG5100W
SIZE OF METER _____	24" & 30"
METER NUMBER _____	24"- PBD-M5194503 & 30"-585703U066
DATE METER SET _____	24"- 01/27/2021 & 30"- 12/08/2020
TUBE NUMBER _____	42216
RECEIVER _____	2479
METER PIT CONST. & SIZE _____	16"-0"X11'-0" I.D. REINF. CONC
REMARKS _____	NONE



EXHIBIT-A PO-02 GIDDINGS AND WALTON CITY OF PONTIAC



SITE PLAN
NOT TO SCALE



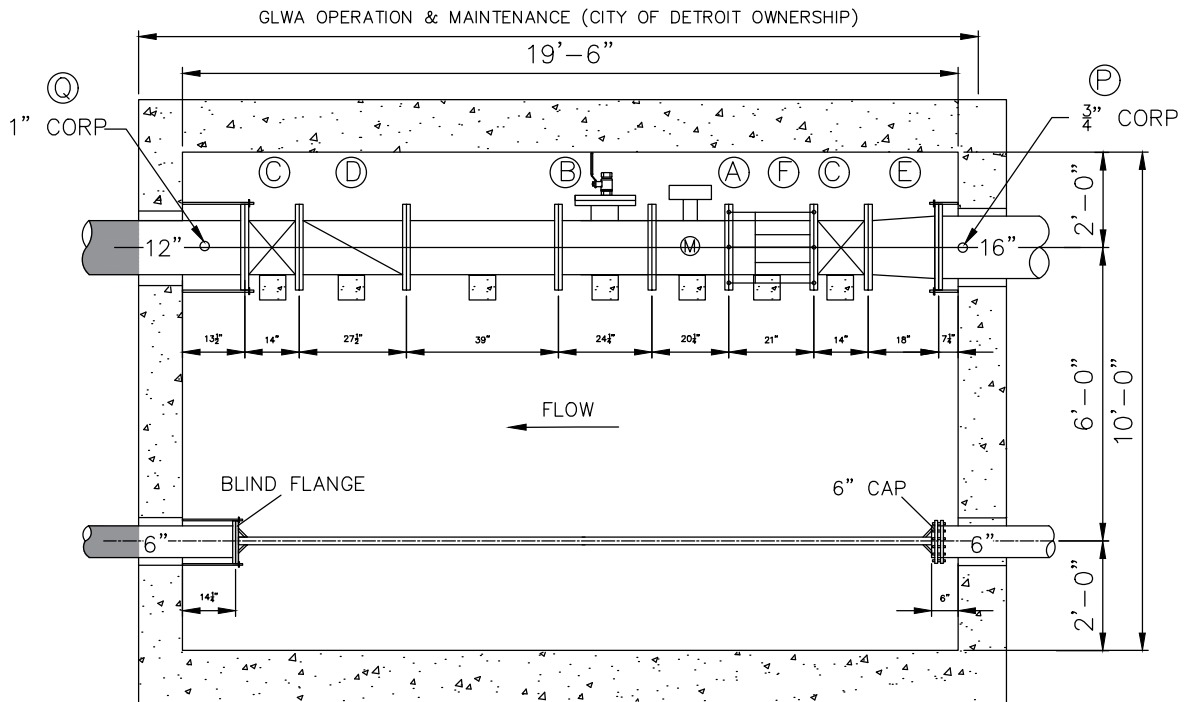
PO – CITY OF PONTIAC, OWNERSHIP
AND MAINTENANCE BY WRC

GLWA – GREAT LAKES WATER AUTHORITY
OPERATION AND MAINTENANCE
(CITY OF DETROIT OWNERSHIP)

LOCATIONS SUBJECT TO
VERIFICATION IN THE FIELD.



EXHIBIT-A PO-02 GIDDINGS AND WALTON CITY OF PONTIAC



METER PIT
DETAIL

NOT TO SCALE



LEGEND			
TAG	QTY	DESCRIPTION	SIZE
A	1	MAG METER	12"
B	1	TEST TEE	12"X8"
C	2	GATE VALVES	12"
D	1	CHECK VALVE	12"
E	1	REDUCER	16"X12"
F	1	RFCA	12"

CITY OF PONTIAC, OWNERSHIP
AND MAINTENANCE BY WRC

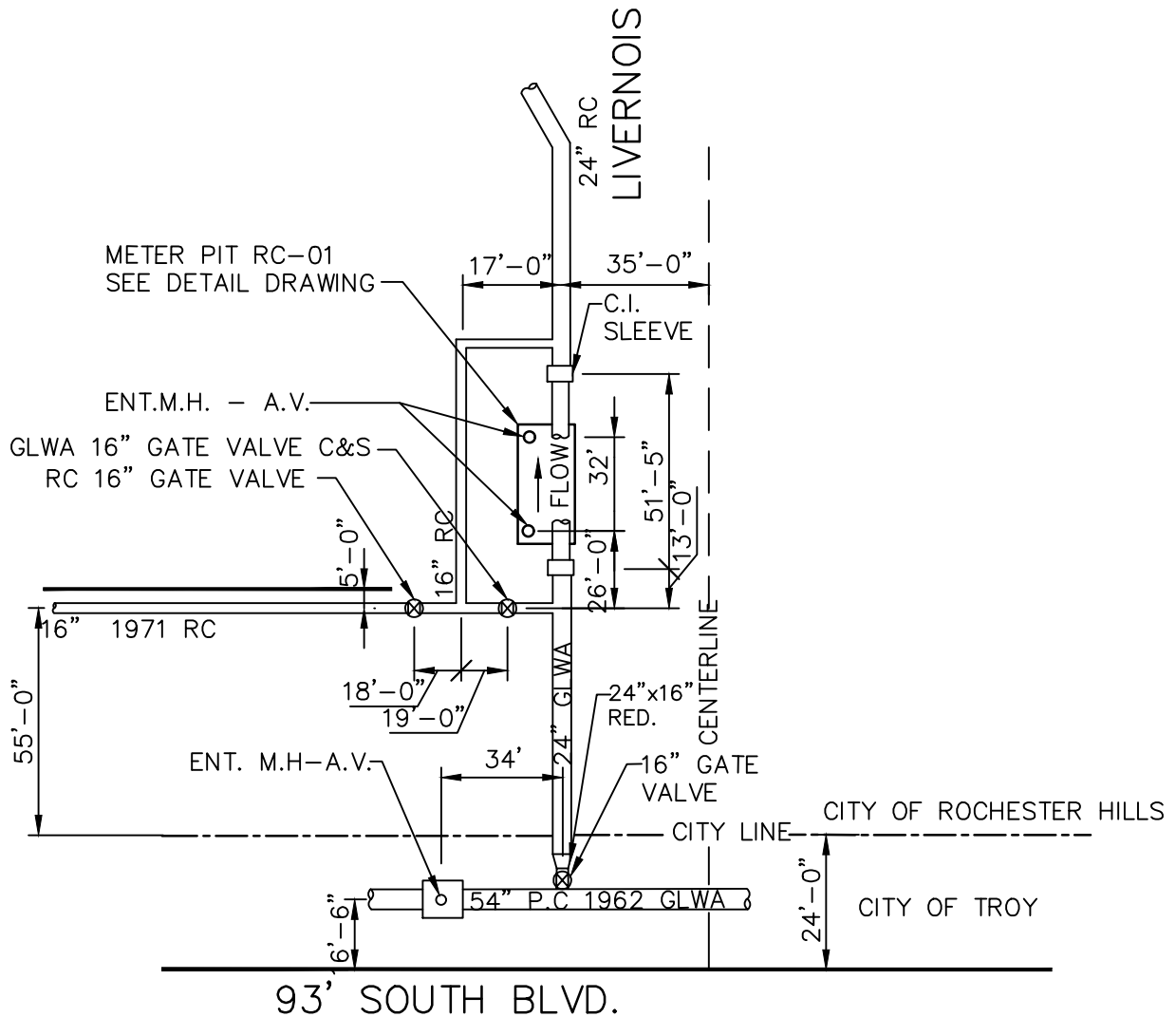
P UPSTREAM PRESSURE TRANSMITTER,
GLWA OPERATION & MAINTENANCE
(CITY OF DETROIT OWNERSHIP)

Q DOWNSTREAM PRESSURE TRANSMITTER,
GLWA OPERATION & MAINTENANCE
(CITY OF DETROIT OWNERSHIP)

FEED TO.....CITY OF PONTIAC
 FEED FROM.....30" D.W.S.D. TRANS. MAIN
 TYPE OF METER.....SIEMENS MAG5100W
 SIZE OF METER.....12"
 METER NUMBER.....PBD-L3044831
 DATE METER SET.....02/17/2020
 METER PIT CONST. & SIZE.....19"-6"X10'-0" I.D. REINF. CONC
 REMARKS.....NONE



EXHIBIT-A RC-01 LIVERNOIS AND SOUTH BLVD. CITY OF ROCHESTER HILLS



RC - ROCHESTER HILLS
OWNERSHIP AND MAINTENANCE

GLWA- GREAT LAKES WATER AUTHORITY
OPERATION AND MAINTENANCE
(CITY OF DETROIT OWNERSHIP)

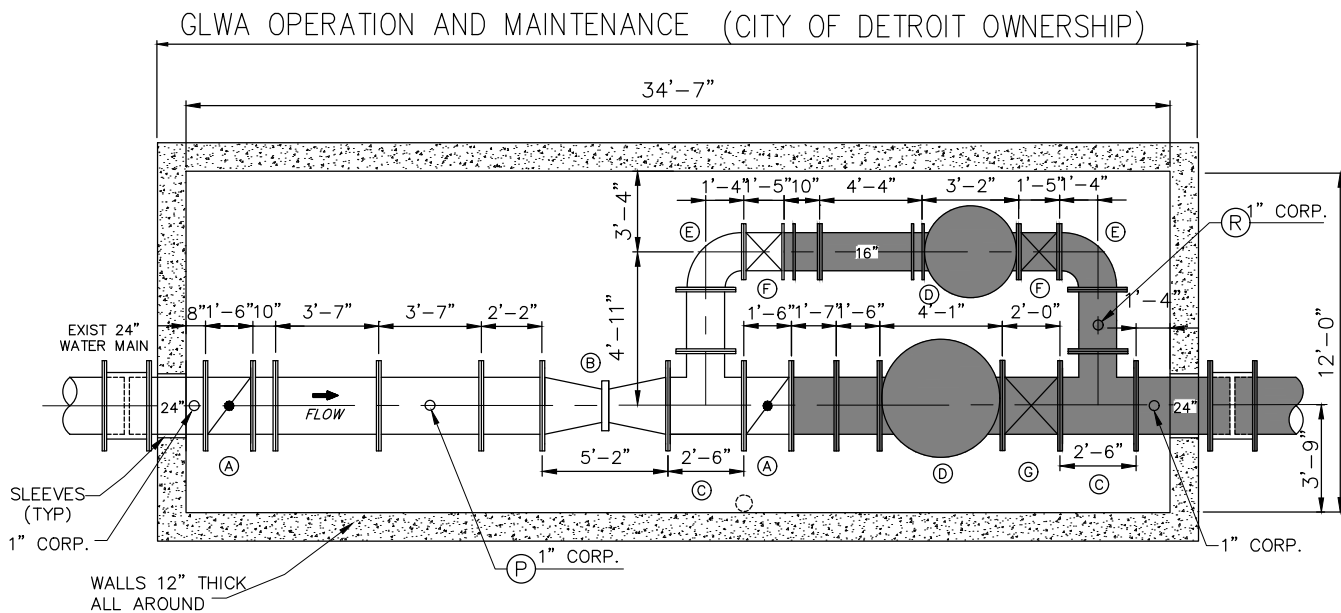
SITE PLAN
NOT TO SCALE



LOCATIONS SUBJECT TO
VERIFICATION IN THE FIELD.



EXHIBIT-A RC-01 LIVERNOIS AND SOUTH BLVD. CITY OF ROCHESTER HILLS



ROCHESTER HILLS O&M
 METER PIT DETAIL
+Z
 NOT TO SCALE

LEGEND		
TAG	QTY	DESCRIPTION
A	2	24" BUTTERFLY VALVE
B	1	24" B.I.F. VENTURI TUBE
C	2	24"x24"x12" TEE
D	2	16" & 24" ROSS P.R.V.
E	2	16" 90 DEG ELBOW
F	2	16" GATE VALVE
G	1	24" GATE VALVE

TYPICAL PRESSURE LOSS THRU METER	
METER TYPE	P.S.I. LOSS
VENTURI	1 - 2
MAG	0
TURBINE	4 - 6

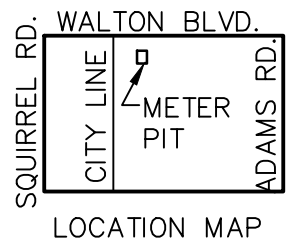
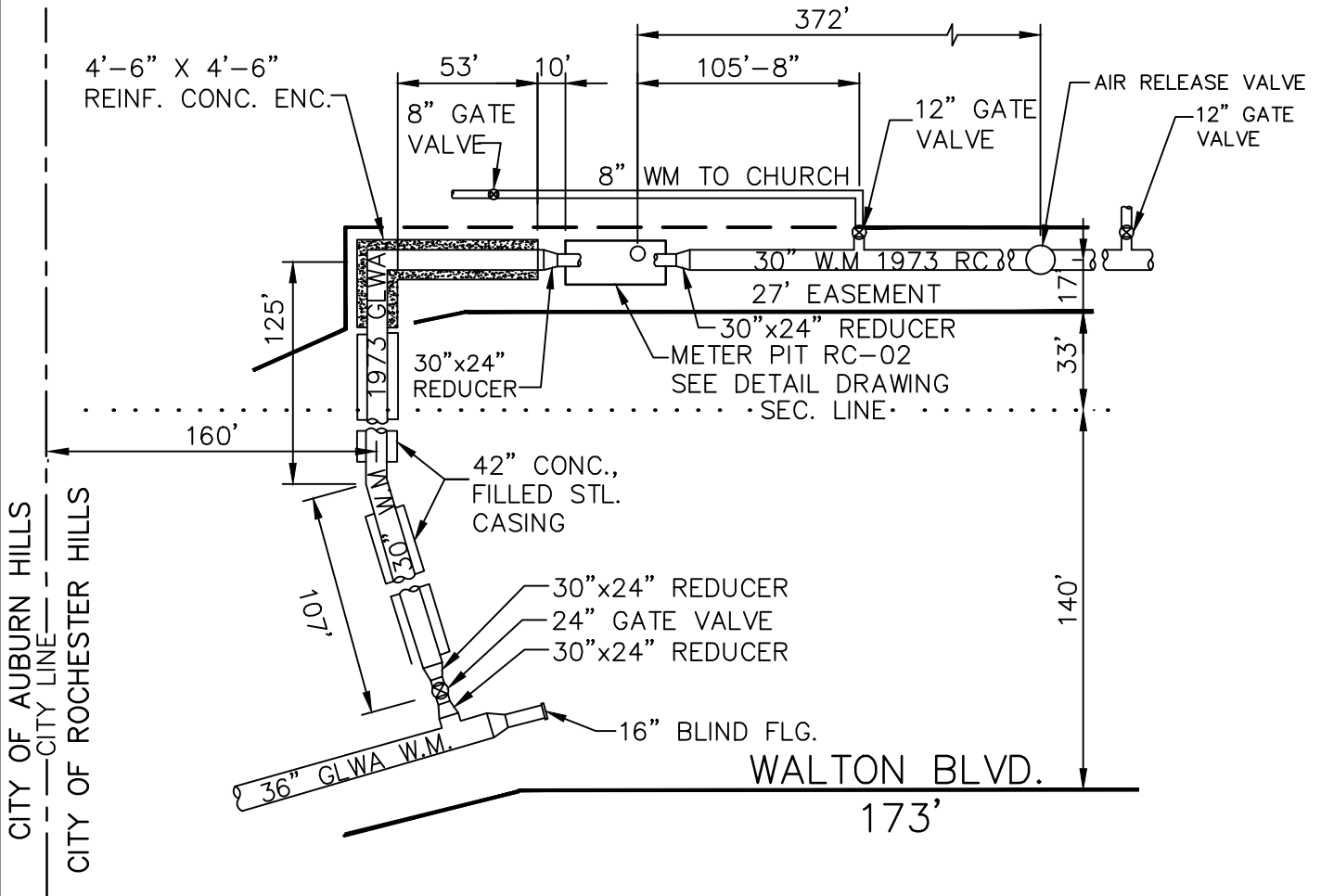
- (P) - UPSTREAM PRESSURE TRANSMITTER, G.L.W.A. OPERATION & MAINTENANCE (CITY OF DETROIT OWNERSHIP)
- (R) - OTHER PRESSURE TRANSMITTER, G.L.W.A. OPERATION & MAINTENANCE (CITY OF DETROIT OWNERSHIP)

ADDRESS _____
 FEED TO _____ CITY OF ROCHESTER HILLS
 FEED FROM _____ 54" GLWA TRANS. MAIN
 TYPE OF METER _____ 24" BIF. VENTURI TUBE
 SIZE OF METER _____ 24" X 7.1517, 24" X 14.500
 METER NUMBER _____ 13668-1, 13668-2
 DATE METER SET _____ MAY 24, 1973
 METER PIT CONST & SIZE _____ REINF. CONC. 34'-7 1/2" X 12' I.D
 GATE BOOK No _____ N-1091
 REMARKS _____ SEE P.R.V. SHEET NO. RC-E



EXHIBIT-A RC-02

WALTON BLVD. 1/2 MILE EAST OF SQUIRREL CITY OF ROCHESTER HILLS



RC - ROCHESTER HILLS
OWNERSHIP AND MAINTENANCE

GLWA- GREAT LAKES WATER AUTHORITY
OPERATION AND MAINTENANCE
(CITY OF DETROIT OWNERSHIP)

SITE PLAN
NOT TO SCALE



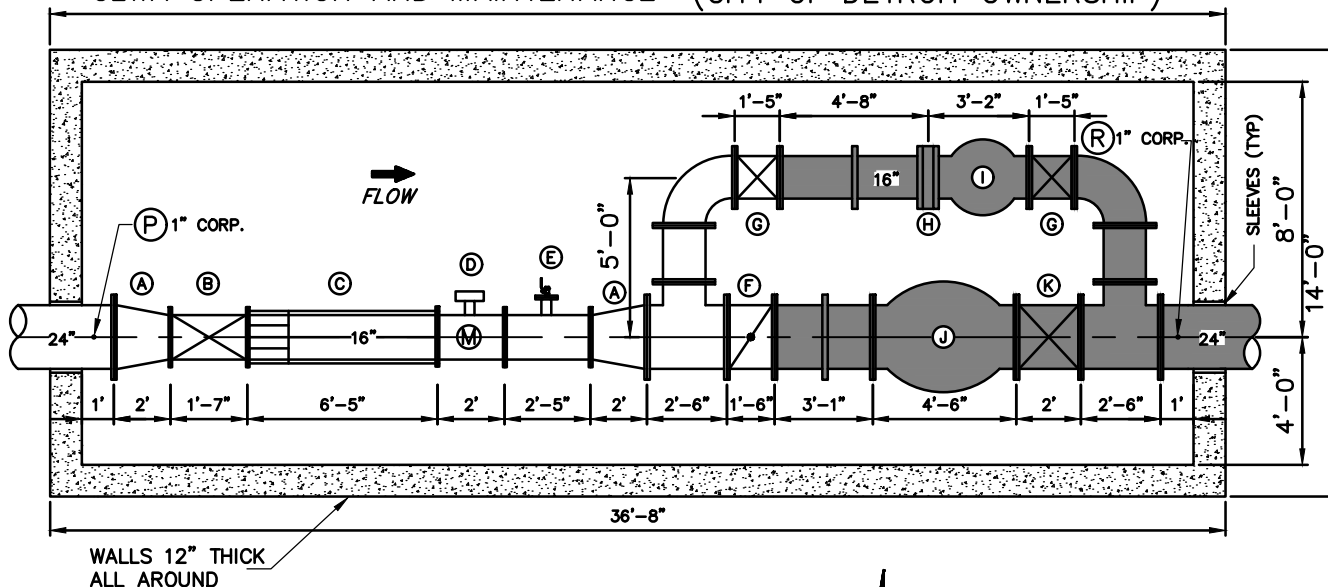
LOCATIONS SUBJECT TO
VERIFICATION IN THE FIELD.



EXHIBIT-A RC-02

WALTON BLVD. 1/2 MILE EAST OF SQUIRREL CITY OF ROCHESTER HILLS

GLWA OPERATION AND MAINTENANCE (CITY OF DETROIT OWNERSHIP)



WALLS 12" THICK
ALL AROUND

METER PIT DETAIL

NOT TO SCALE

ROCHESTER HILLS O&M



LEGEND		
TAG	QTY	DESCRIPTION
A	2	23"x16" REDUCER
B	1	16" GATE VALVE
C	1	16" RFCA
D	1	16" MAG METER
E	1	16" TEST TEE
F	1	24" BUTTERFLY VALVE
G	2	16" GATE VALVE
H	1	4" FLG. FILL
I	1	16" P.R.V.
J	1	24" P.R.V.
K	1	24" GATE VALVE

TYPICAL PRESSURE LOSS THRU METER	
METER TYPE	P.S.I. LOSS
VENTURI	1 - 2
MAG	0
TURBINE	4 - 6

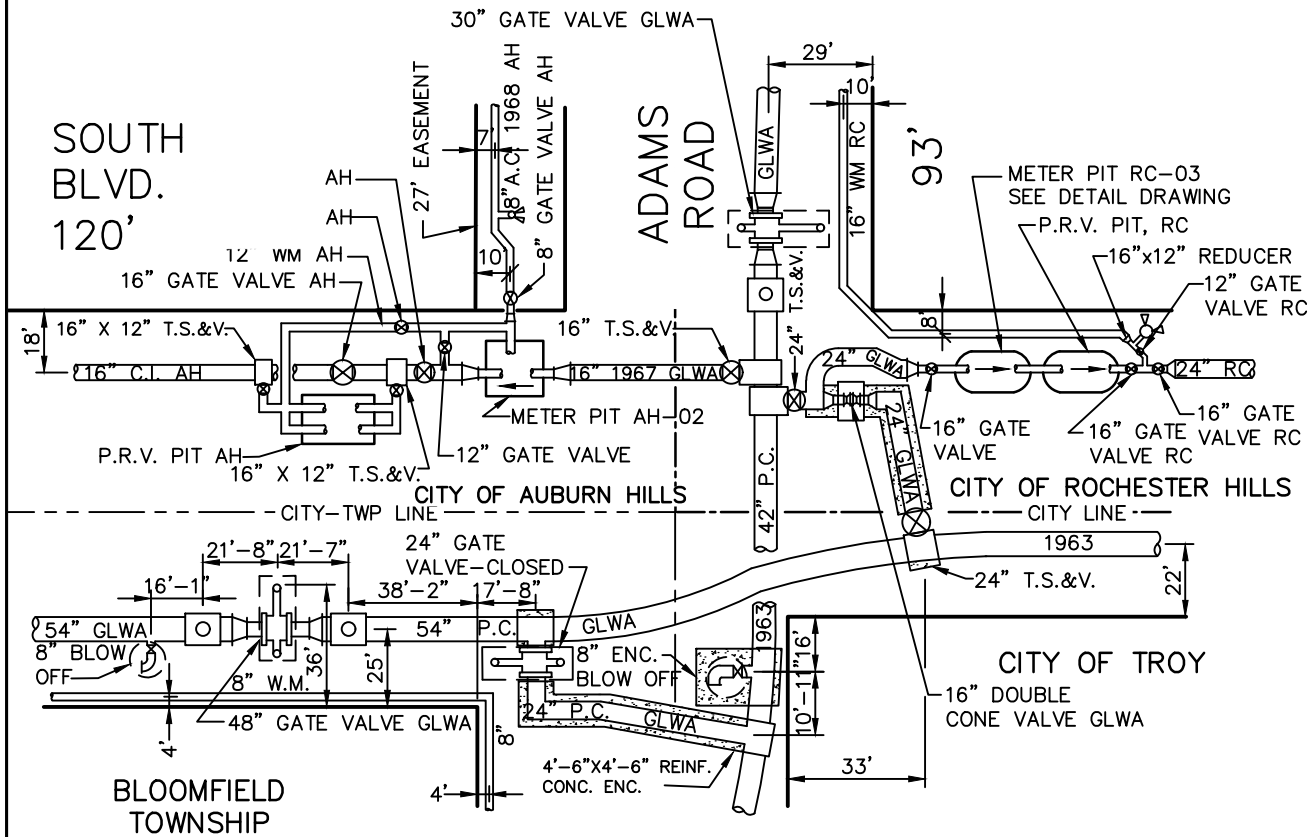
(P) - UPSTREAM PRESSURE TRANSMITTER,
G.L.W.A. OPERATION & MAINTENANCE
(CITY OF DETROIT OWNERSHIP)

(R) - OTHER PRESSURE TRANSMITTER,
G.L.W.A. OPERATION & MAINTENANCE
(CITY OF DETROIT OWNERSHIP)

ADDRESS _____
 FEED TO _____ ROCHESTER HILLS
 FEED FROM _____ GLWA TRANS. MAIN
 TYPE OF METER _____ SIEMENS/MAG 5100W
 SIZE OF METER _____ 16"/DN400MM
 METER NUMBER _____ PBD - M1034500
 DATE METER SET _____ 05/09/2022
 METER PIT CONST & SIZE _____ REINF. CONC. 34'-8" X 12'-0" I.D.
 GATE BOOK No _____ N-1181



EXHIBIT-A RC-03 SOUTH BLVD. AND ADAMS ROAD CITY OF ROCHESTER HILLS



SITE PLAN
NOT TO SCALE

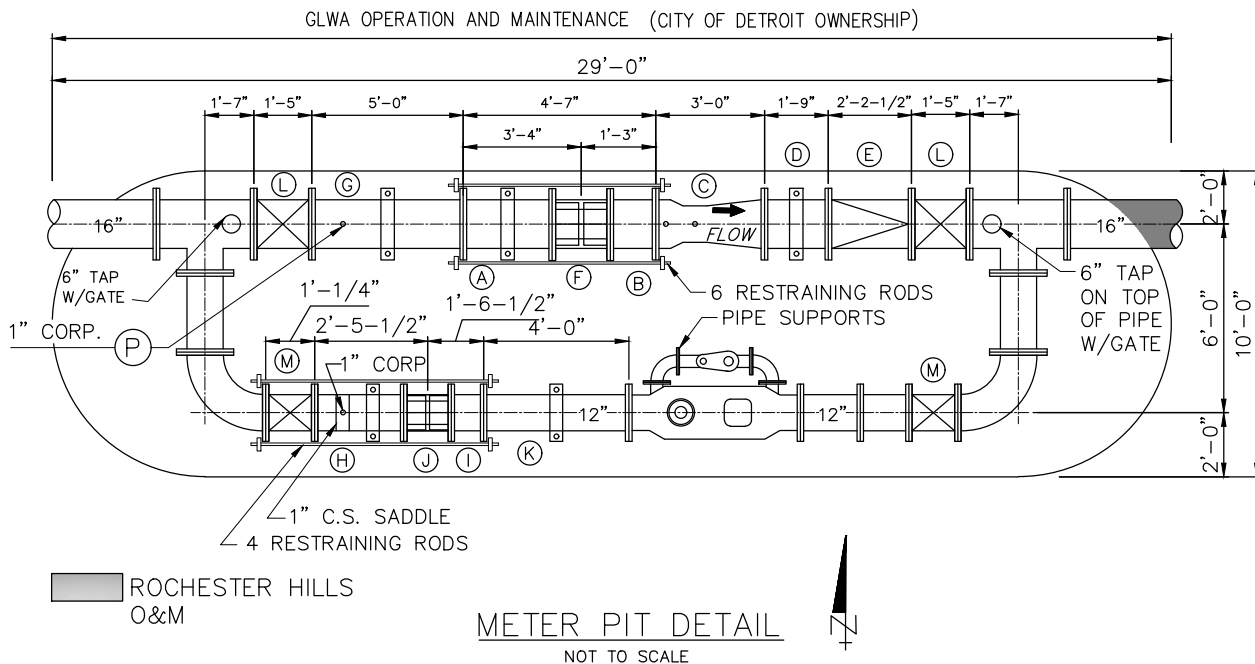


- RC - ROCHESTER HILLS
OWNERSHIP AND MAINTENANCE
- AH - AUBURN HILLS
OWNERSHIP AND MAINTENANCE
- GLWA - GREAT LAKES WATER AUTHORITY
OPERATION AND MAINTENANCE
(CITY OF DETROIT OWNERSHIP)

LOCATIONS SUBJECT TO
VERIFICATION IN THE FIELD.



EXHIBIT-A RC-03 SOUTH BLVD. AND ADAMS CITY OF ROCHESTER HILLS



LEGEND			
TAG	QTY	DESCRIPTION	SIZE
A	1	F X PE DUCTILE IRON SPOOL PIECE	16" X 39"
B	1	F X PE DUCTILE IRON SPOOL PIECE	16" X 15"
C	1	VENTURI TUBE - 10.15" THROAT	16"
D	1	F X F DUCTILE IRON SPOOL PIECE	16" X 24"
E	1	TILTED DISC CHECK VALVE	16"
F	1	DRESSER STYLE 3B COUPLING	16"
G	1	F X F DUCTILE IRON SPOOL PIECE	16" X 60"
H	1	F X PE DUCTILE IRON SPOOL PIECE	12" X 29.5"
I	1	F X PE DUCTILE IRON SPOOL PIECE	12" X 13.5"
J	1	DRESSER STYLE 3B COUPLING	12"
K	1	F X F DUCTILE IRON SPOOL PIECE	12" X 48"
L	2	GATE VALVE	16"
M	2	GATE VALVE	12"

TYPICAL PRESSURE LOSS THRU METER	
METER TYPE	P.S.I. LOSS
VENTURI	1 - 2
MAG	0
TURBINE	4 - 6

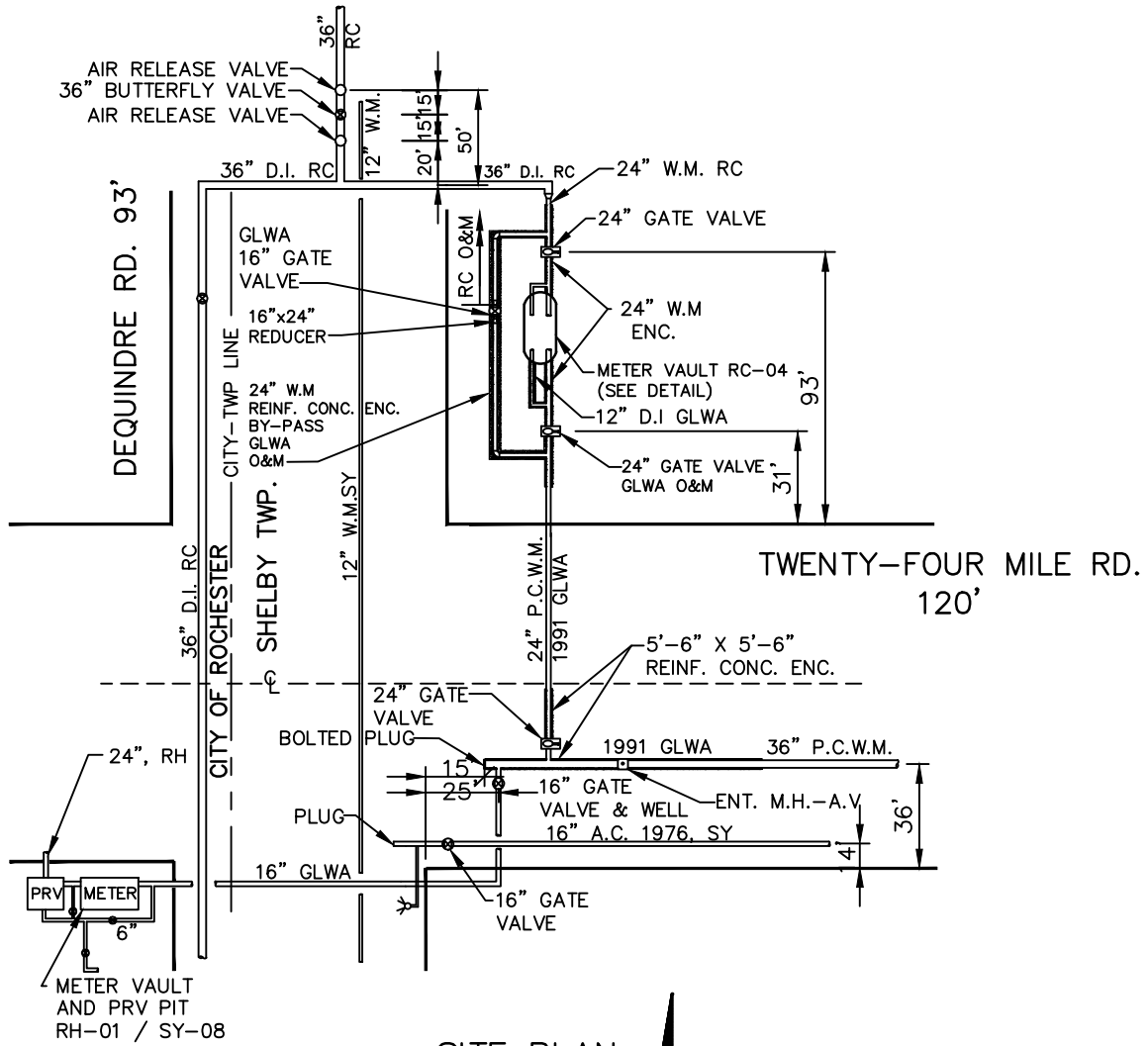
(P) - UPSTREAM PRESSURE TRANSMITTER, G.L.W.A. OPERATION & MAINTENANCE (CITY OF DETROIT OWNERSHIP)

NOTE: GLWA IS SOLELY RESPONSIBLE FOR THE METER PIT STRUCTURE

ADDRESS _____ 3998 SOUTH BLVD.
 FEED TO _____ CITY OF ROCHESTER HILLS
 FEED FROM _____ GLWA TRANS. MAIN
 TYPE OF METER _____ VENTURI METER
 SIZE OF METER _____ 16" X 10.15"
 METER NUMBER _____ 43701
 DATE METER SET _____ 6/9/1995
 METER PIT CONST & SIZE _____ STEEL 22'-0" X 10'-6" I.D.
 GATE BOOK No _____ N-1103
 REMARKS _____

RC
03

EXHIBIT-A RC-04 DEQUINDRE AND TWENTY-FOUR MILE RD. CITY OF ROCHESTER HILLS



SITE PLAN
NOT TO SCALE

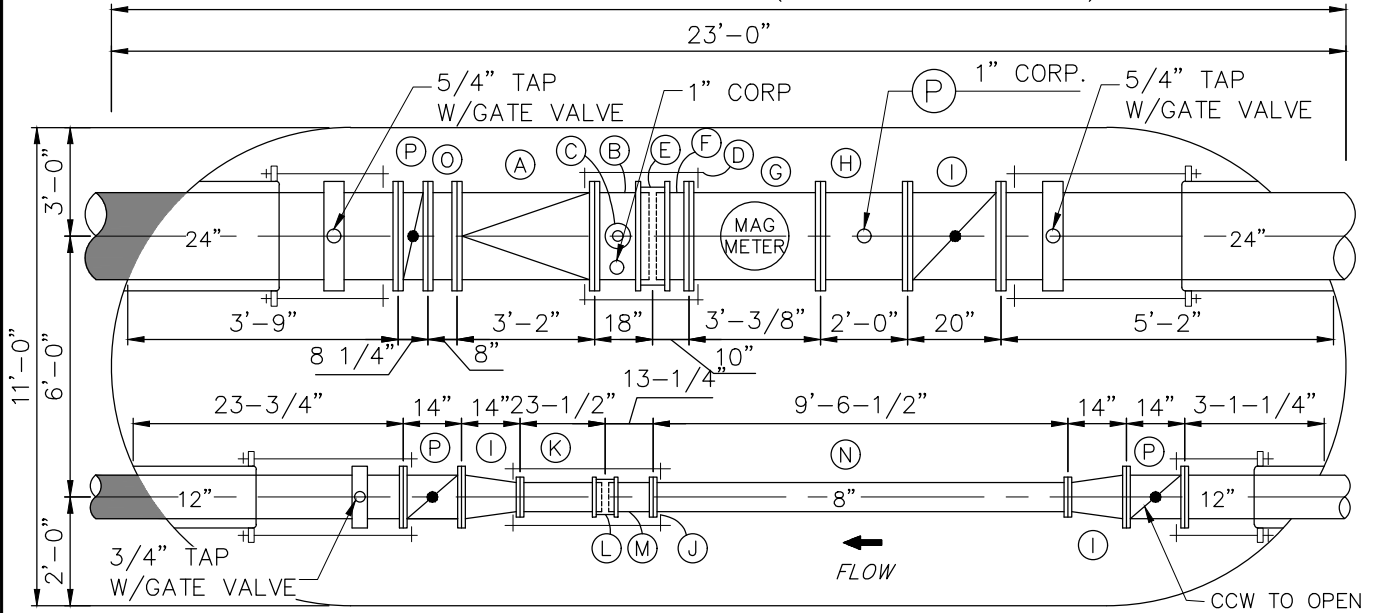
- RC - ROCHESTER HILLS OWNERSHIP AND MAINTENANCE
- RH - ROCHESTER OWNERSHIP AND MAINTENANCE
- SY - SHELBY TWP. OWNERSHIP AND MAINTENANCE
- GLWA- GREAT LAKES WATER AUTHORITY OPERATION AND MAINTENANCE (CITY OF DETROIT OWNERSHIP)

LOCATIONS SUBJECT TO VERIFICATION IN THE FIELD.



EXHIBIT-A RC-04 DEQUINDRE AND TWENTY-FOUR MILE RD. CITY OF ROCHESTER HILLS

GLWA OPERATION AND MAINTENANCE (CITY OF DETROIT OWNERSHIP)



METER PIT DETAIL Z+
NOT TO SCALE

ROCHESTER HILLS O&M

TAG QTY		DESCRIPTION
A	1	24" FLGD. CHECK VALVE, 38" F-F
B	1	24" X 1'-6" F-PE PIPE W/3" COMPANION FLANGE
C	1	TEST TEE ASSEMBLY W/3" COMPANION FLANGE
D	LOT	COUPLING RESTRAINT: (6) 44" LG. THRD. RODS (12) EAR PLATES
E	1	24" DRESSER STYLE PIPE COUPLING
F	1	24" X 10" F-PE PIPE GADR. D.I.
G	1	24" FLGD. MAGNETIC FLOWMETER, 36.375" F-F
H	1	24" X 2'-0" F-F PIPE W/1" TAP FOR CORP. STOP D.I.
I	2	12" X 8" FLGD. CONCENTRIC REDUCERS, D.I., 14" F-F
J	LOT	COUPLING RESTRAINT: (4) 44" LG. THRD. RODS (8) EAR PLATES
K	1	8" X 1'-11 1/2" F-PE PIPE, GADR. D.I.
L	1	8" 'DRESSER STYLE' PIPE COUPLING
M	1	8" X 1'-1 1/4" F-PE PIPE, GADR. D.I.
N	2	8" X 9'-6 1/2" F-F PIPE D.I.
O	1	24" X 8" F-F PIPE D.I.
P	4	HYDRAULIC CONTROLLED BUTTERFLY VALVE

TYPICAL PRESSURE LOSS THRU METER	
METER TYPE	P.S.I. LOSS
VENTURI	1 - 2
MAG	0
TURBINE	4 - 6

(P) - UPSTREAM PRESSURE TRANSMITTER, G.L.W.A. OPERATION & MAINTENANCE (CITY OF DETROIT OWNERSHIP)

NOTE: GLWA IS SOLELY RESPONSIBLE FOR THE METER PIT STRUCTURE

ADDRESS _____ 53206 DEQUINDRE
 FEED TO _____ CITY OF ROCHESTER HILLS
 FEED FROM _____ 36" P.C. GLWA W.M.
 TYPE OF METER _____ ABB MAG
 SIZE OF METER _____ 24"
 METER NUMBER _____ V/33112/3/1
 DATE METER SET _____ 7/5/2000
 METER PIT CONST & SIZE _____ STEEL 23' X 11' I.D.
 GATE BOOK No _____ N-1248
 REMARKS _____ WS-564-10



EXHIBIT B

Projected Annual Volume and Minimum Annual Volume (Table 1)
Pressure Range and Maximum Flow Rate (Table 2)
Flow Split Assumptions (Table 3)
Addresses for Notice (Table 4)

Table 1 and Table 2 set forth the agreed upon Projected Annual Volumes, Minimum Annual Volumes, Pressure Ranges and Maximum Flow Rates for the term of this Contract provided that figures in bold type face are immediately enforceable pursuant to the terms of Section 5.07 and italicized figures are contained for planning purposes only but will become effective absent the negotiated replacements anticipated in Section 5.07.

The approximate rate of flow by individual meter set forth in Table 3 is the assumption upon which the Pressure Range commitments established in Table 2 have been devised. Should Customer deviate from these assumptions at any meter(s), the Board may be unable to meet the stated Pressure Range commitments in this Contract or in the contract of another customer of the Board and Section 5.08 of this Contract may be invoked.

EXHIBIT B

Table 1
 Projected Annual Volume and Minimum Annual Volume

Fiscal Year Ending June 30	Projected Annual Volume (Mcf)	Minimum Annual Volume (Mcf)
2015	--	--
2016	1,020,000	510,000
2017	1,020,000	510,000
2018	945,000	472,500
2019	945,000	472,500
2020	936,000	468,000
2021	936,000	468,000
2022	936,000	468,000
2023	936,000	468,000
2024	877,000	438,500
2025	877,000	438,500
2026	877,000	438,500
2027	877,000	438,500
2028	<i>877,000</i>	<i>438,500</i>
2029	<i>877,000</i>	<i>438,500</i>
2030	<i>877,000</i>	<i>438,500</i>
2031	<i>877,000</i>	<i>438,500</i>
2032	<i>877,000</i>	<i>438,500</i>
2033	<i>877,000</i>	<i>438,500</i>
2034	<i>877,000</i>	<i>438,500</i>
2035	<i>877,000</i>	<i>438,500</i>
2036	<i>877,000</i>	<i>438,500</i>
2037	<i>877,000</i>	<i>438,500</i>
2038	<i>877,000</i>	<i>438,500</i>
2039	<i>877,000</i>	<i>438,500</i>
2040	<i>877,000</i>	<i>438,500</i>
2041	<i>877,000</i>	<i>438,500</i>
2042	<i>877,000</i>	<i>438,500</i>
2043	<i>877,000</i>	<i>438,500</i>
2044	<i>877,000</i>	<i>438,500</i>
2045	<i>877,000</i>	<i>438,500</i>

EXHIBIT B

Table 2
Pressure Range and Maximum Flow Rate

Calendar Year (Reopener Schedule in bold type)	Pressure Range (psi)		Pressure Range (psi)		Pressure Range (psi)		Pressure Range (psi)		Pressure Range (psi)		Pressure Range (psi)	
	Meter AH-02		Meter AH-03		Meter AH-04		Meter AH-05		Meter AH-06		Meter OT-01	
	Min	Max	Min	Max	Min	Max	Min	Max	Min	Max	Min	Max
2015	127	149	TBD	TBD	104	TBD	55	87	69	TBD	54	95
2016	127	149	TBD	TBD	104	TBD	55	87	69	TBD	54	95
2017	127	149	TBD	TBD	104	TBD	55	87	69	TBD	54	95
2018	127	149	TBD	TBD	104	TBD	55	87	69	TBD	54	95
2019	TBD	TBD	TBD	TBD	TBD	TBD	TBD	TBD	TBD	TBD	TBD	TBD
2020	TBD	TBD	TBD	TBD	TBD	TBD	TBD	TBD	TBD	TBD	TBD	TBD
2021	TBD	TBD	TBD	TBD	TBD	TBD	TBD	TBD	TBD	TBD	TBD	TBD
2022	TBD	TBD	TBD	TBD	TBD	TBD	TBD	TBD	TBD	TBD	TBD	TBD
2023	127	149	85	115	104	135	55	87	69	108	54	95
2024	127	149	85	115	104	135	55	87	69	108	54	95
2025	127	149	85	115	104	135	55	87	69	108	54	95
2026	127	149	85	115	104	135	55	87	69	108	54	95
2027	127	149	85	115	104	135	55	87	69	108	54	95
2028	127	149	85	115	104	135	55	87	69	108	54	95
2029	127	149	85	115	104	135	55	87	69	108	54	95
2030	127	149	85	115	104	135	55	87	69	108	54	95
2031	127	149	85	115	104	135	55	87	69	108	54	95
2032	127	149	85	115	104	135	55	87	69	108	54	95
2033	127	149	85	115	104	135	55	87	69	108	54	95
2034	127	149	85	115	104	135	55	87	69	108	54	95
2035	127	149	85	115	104	135	55	87	69	108	54	95
2036	127	149	85	115	104	135	55	87	69	108	54	95
2037	127	149	85	115	104	135	55	87	69	108	54	95
2038	127	149	85	115	104	135	55	87	69	108	54	95
2039	127	149	85	115	104	135	55	87	69	108	54	95
2040	127	149	85	115	104	135	55	87	69	108	54	95
2041	127	149	85	115	104	135	55	87	69	108	54	95
2042	127	149	85	115	104	135	55	87	69	108	54	95
2043	127	149	85	115	104	135	55	87	69	108	54	95
2044	127	149	85	115	104	135	55	87	69	108	54	95

EXHIBIT B

Table 2 (cont'd)
Pressure Range and Maximum Flow Rate

Calendar Year (Reopener Schedule in bold type)	Pressure Range (psi)		Pressure Range (psi)		Pressure Range (psi)		Pressure Range (psi)		Pressure Range (psi)		Pressure Range (psi)	
	Meter PO-01		Meter PO-02		Meter RC-01		Meter RC-02		Meter RC-03		Meter RC-04	
	<u>Min</u>	<u>Max</u>	<u>Min</u>	<u>Max</u>	<u>Min</u>	<u>Max</u>	<u>Min</u>	<u>Max</u>	<u>Min</u>	<u>Max</u>	<u>Min</u>	<u>Max</u>
2015	37	59	83	TBD	87	109	95	TBD	125	TBD	55	135
2016	37	59	83	TBD	87	109	95	TBD	125	TBD	55	135
2017	37	59	83	TBD	87	109	95	TBD	125	TBD	55	135
2018	37	59	83	TBD	87	109	95	TBD	125	TBD	55	135
2019	37	59	TBD	TBD	87	109	TBD	TBD	TBD	TBD	55	135
2020	37	59	TBD	TBD	87	109	TBD	TBD	TBD	TBD	55	135
2021	37	59	TBD	TBD	87	109	TBD	TBD	TBD	TBD	55	135
2022	37	59	TBD	TBD	87	109	TBD	TBD	TBD	TBD	55	135
2023	37	59	83	115	87	109	95	120	125	149	55	135
2024	37	59	83	115	87	109	95	120	125	149	55	135
2025	37	59	83	115	87	109	95	120	125	149	55	135
2026	37	59	83	115	87	109	95	120	125	149	55	135
2027	37	59	83	115	87	109	95	120	125	149	55	135
2028	37	59	83	115	87	109	95	120	125	149	55	135
2029	37	59	83	115	87	109	95	120	125	149	55	135
2030	37	59	83	115	87	109	95	120	125	149	55	135
2031	37	59	83	115	87	109	95	120	125	149	55	135
2032	37	59	83	115	87	109	95	120	125	149	55	135
2033	37	59	83	115	87	109	95	120	125	149	55	135
2034	37	59	83	115	87	109	95	120	125	149	55	135
2035	37	59	83	115	87	109	95	120	125	149	55	135
2036	37	59	83	115	87	109	95	120	125	149	55	135
2037	37	59	83	115	87	109	95	120	125	149	55	135
2038	37	59	83	115	87	109	95	120	125	149	55	135
2039	37	59	83	115	87	109	95	120	125	149	55	135
2040	37	59	83	115	87	109	95	120	125	149	55	135
2041	37	59	83	115	87	109	95	120	125	149	55	135
2042	37	59	83	115	87	109	95	120	125	149	55	135
2043	37	59	83	115	87	109	95	120	125	149	55	135
2044	37	59	83	115	87	109	95	120	125	149	55	135

EXHIBIT B

Table 2 (continued)
 Pressure Range and Maximum Flow Rate

Calendar Year (Reopener Schedule in bold type)	Maximum Flow Rate (mgd)	
	<u>Max Day</u>	<u>Peak Hour</u>
2015	50.6	56.0
2016	50.6	52.5
2017	49.5	52.5
2018	49.5	52.5
2019	45.1	49.1
2020	45.1	49.1
2021	45.1	49.1
2022	45.1	49.1
2023	43.5	48.6
2024	43.5	48.6
2025	43.5	48.6
2026	43.5	48.6
2027	43.5	48.6
2028	43.5	48.6
2029	43.5	48.6
2030	43.5	48.6
2031	43.5	48.6
2032	43.5	48.6
2033	43.5	48.6
2034	43.5	48.6
2035	43.5	48.6
2036	43.5	48.6
2037	43.5	48.6
2038	43.5	48.6
2039	43.5	48.6
2040	43.5	48.6
2041	43.5	48.6
2042	43.5	48.6
2043	43.5	48.6
2044	43.5	48.6

EXHIBIT B

Table 3
Flow Split Assumptions

Meter	Assumed Flow Split (2023-2026)
AH-02	0 – 10%
AH-03	0 – 15%
AH-04	0 – 5%
AH-05	0 – 10%
AH-06	0 – 5%
OT-01	5 – 20%
PO-01	20 – 35%
PO-02	0 – 15%
RC-01	5 – 15%
RC-02	5 – 15%
RC-03	5 – 15%
RC-04	0 – 15%

Table 4
Addresses for Notice

If to the Board: General Counsel Great Lakes Water Authority 735 Randolph, Suite 1901 Detroit, Michigan 48226	If to Customer: Fiduciary North Oakland County Water Authority 1000 Rochester Hills Drive Rochester Hills, Michigan, 48309 cc: NOCWA Chairperson 2323 Joslyn Road Lake Orion, Michigan 48360
--	--