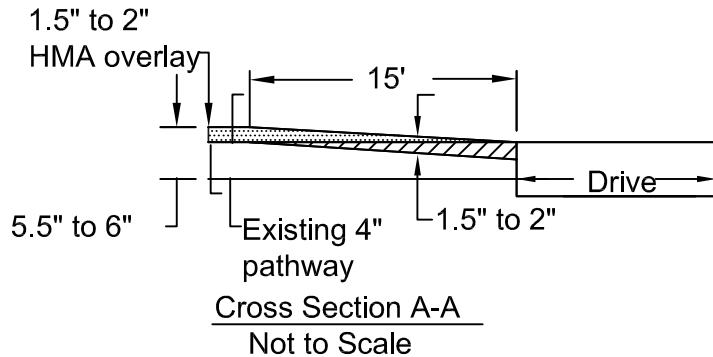
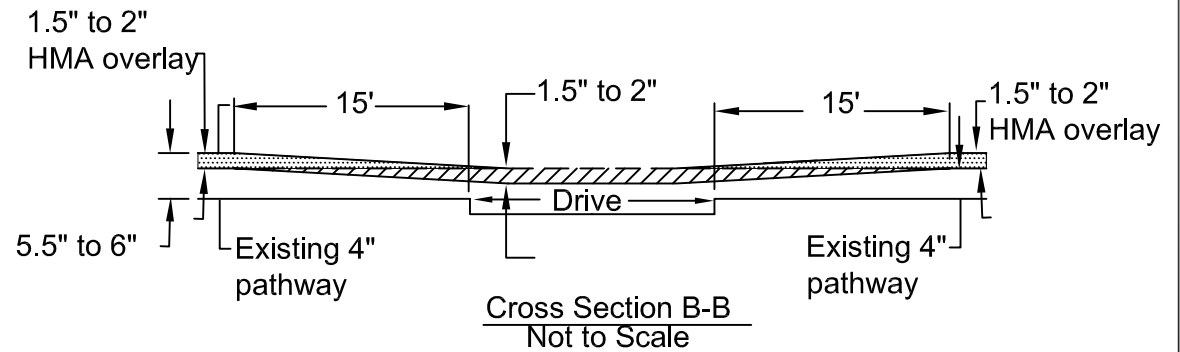



Note: Drives shall be milled at 10 foot width when HMA pathway is resurfaced through the drive (as directed by engineer).




Pathway cold milling stopping at new HMA drive



Pathway cold milling through HMA drive

 Cold milled section of existing pathway to be replaced with 1.5" to 2" HMA overlay

<b>CITY OF ROCHESTER HILLS</b> STANDARD DETAIL FOR: Pathway Details: <b>Pathway Construction at Drive</b>						
DRAWN BY: B. SMITH	PLAN DATE: 8/28/1996	REV. 4/12/2012	REV. 2/25/2014	REV.	REV.	REV.
APPROVED BY: PAUL SHUMEJKO, P.E., PTOE CITY TRANSPORTATION ENGINEER			<b>NOT TO SCALE</b>		SHEET 2 OF 4	