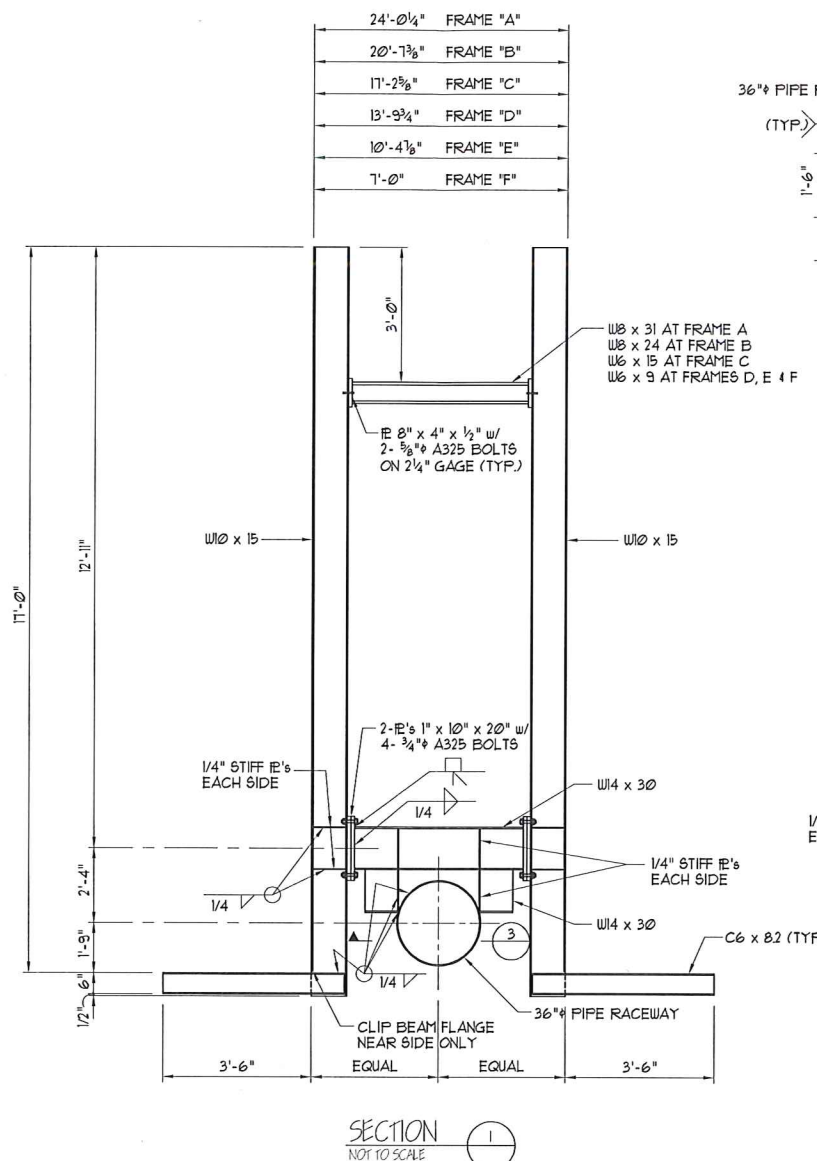
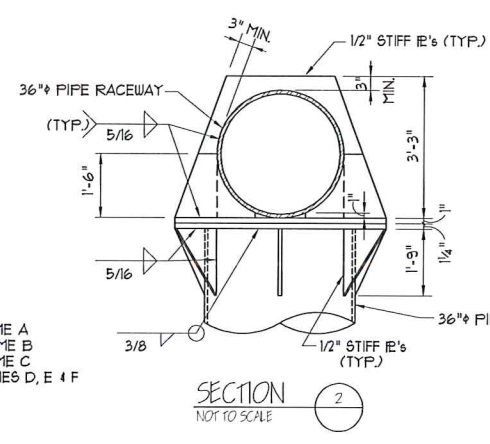


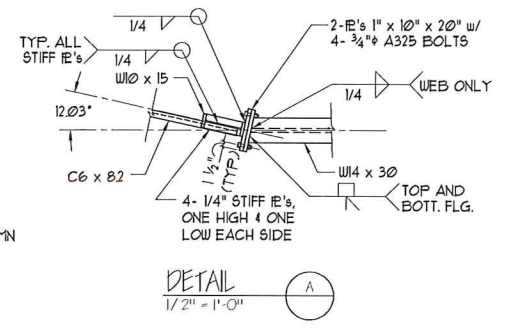
ELEVATION OF SIGN FRAME
NOT TO SCALE



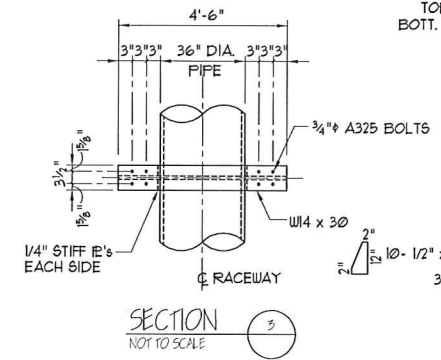
SECTION 1
NOT TO SCALE



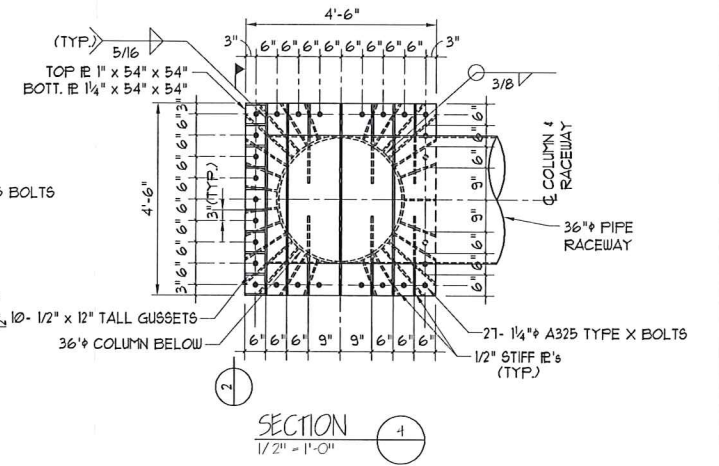
SECTION 2
NOT TO SCALE



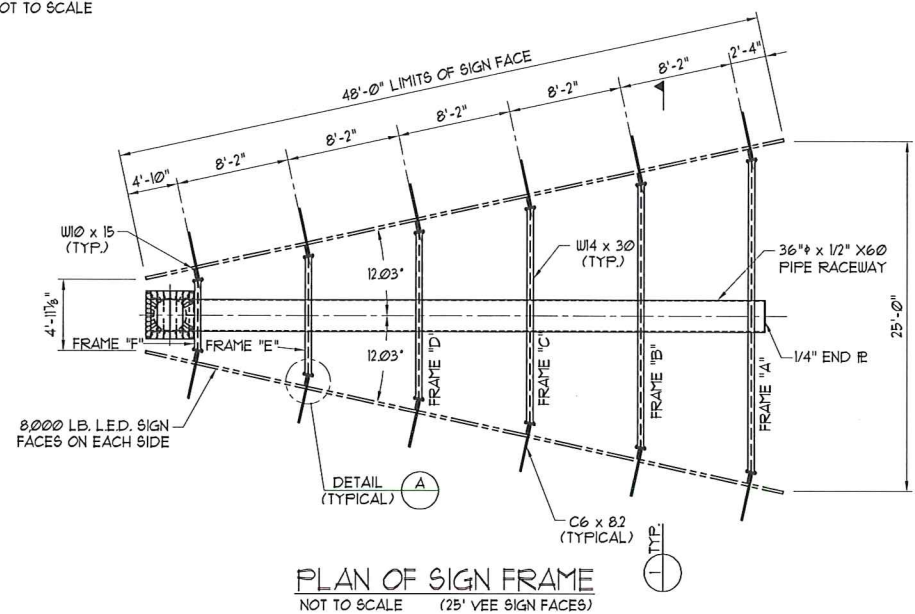
DETAIL A
1/2" = 1'-0"



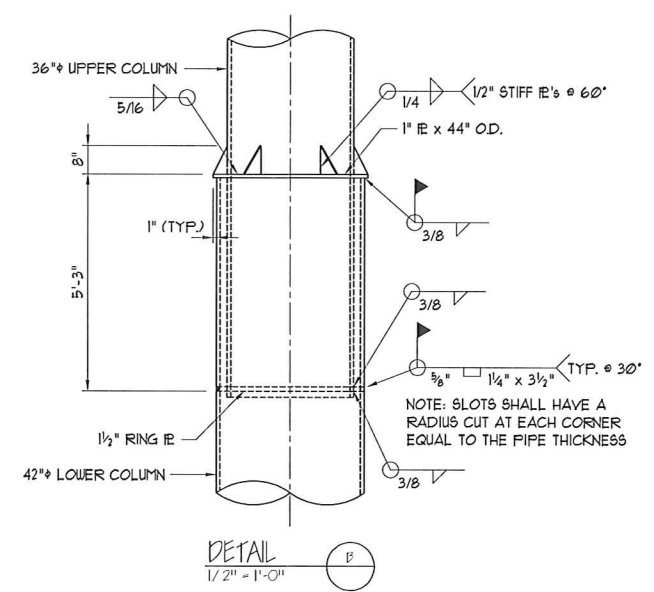
SECTION 3
NOT TO SCALE



SECTION 4
1/2" = 1'-0"



PLAN OF SIGN FRAME
NOT TO SCALE (25' VEE SIGN FACES)



DETAIL B
1/2" = 1'-0"

NOTES:

1. ALL BOLTS 3/4" A325 GALVANIZED UNO.
2. CONCRETE STANDARD WEIGHT 3000 P.S.I. @ 28 DAYS COMPRESSIVE STRENGTH.
3. DESIGN WIND LOAD 105 MPH, EXPOSURE "C" PER 2012 INTERNATIONAL BUILDING CODE.
4. ALL STEEL SHALL BE A.S.T.M. A36 UNLESS NOTED. (WIDE FLANGES SHALL BE A992-50).
5. MAXIMUM SIGN FACE AREA 672 SQUARE FEET. MAXIMUM AFRON FACE AREA 144 SQUARE FEET.
6. ALL WELDS SHALL BE MADE BY AN AWS. CERTIFIED WELDER USING E70 FILLER MATERIAL.
7. MINIMUM LATERAL PASSIVE SOIL BEARING CAPACITY SHALL BE 400 P.S.F. PER FOOT OF DEPTH.

NOTE: THIS STRUCTURE IS FOR PERMITTING PURPOSES ONLY
B & P JOB NO. 11500011



OUTDOOR SPECIALIST, INC. Augusta, Georgia			
SIGN LOCATION: ROCHESTER HILLS, MICHIGAN			
scale : NOTED	revisions	by	date
date : 8/23/11			
drawn : TED			
ckd. : TFL			
SIGN FRAME #3392-OSI			

ES-2418
OR 9572