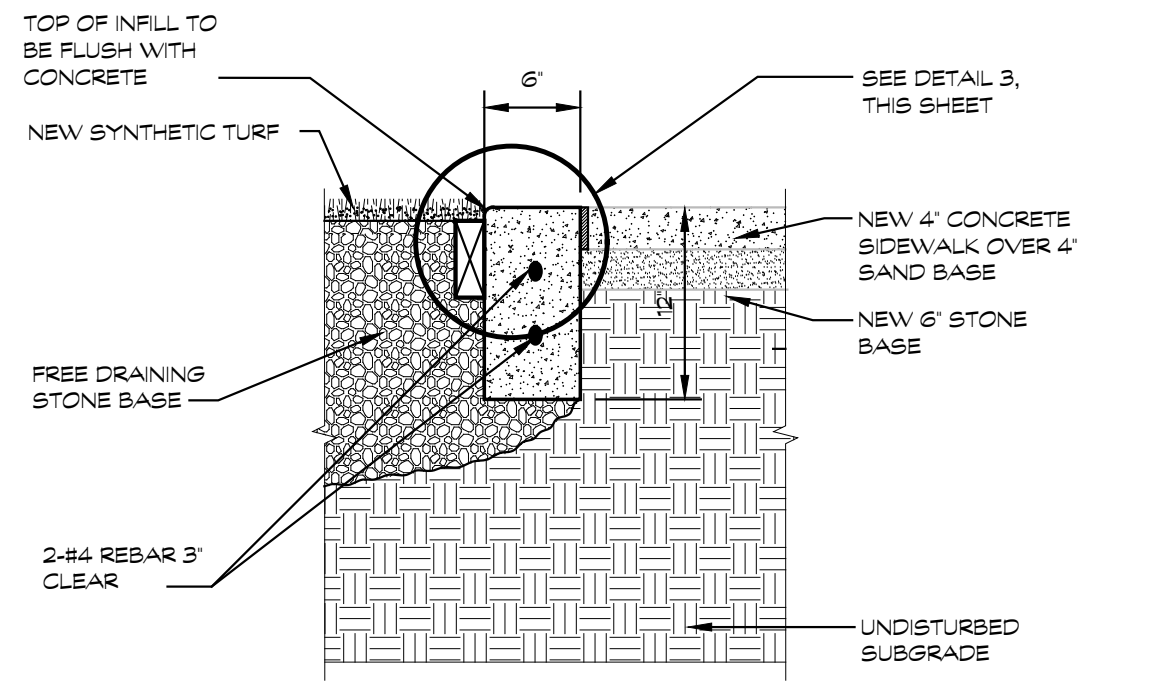
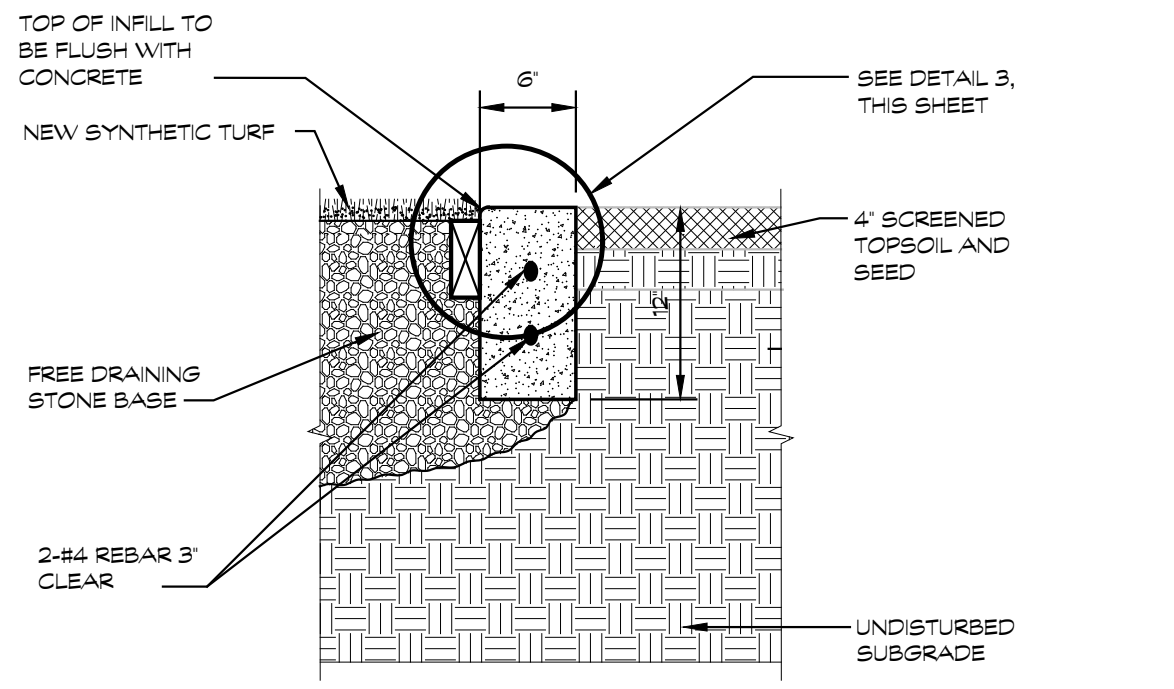


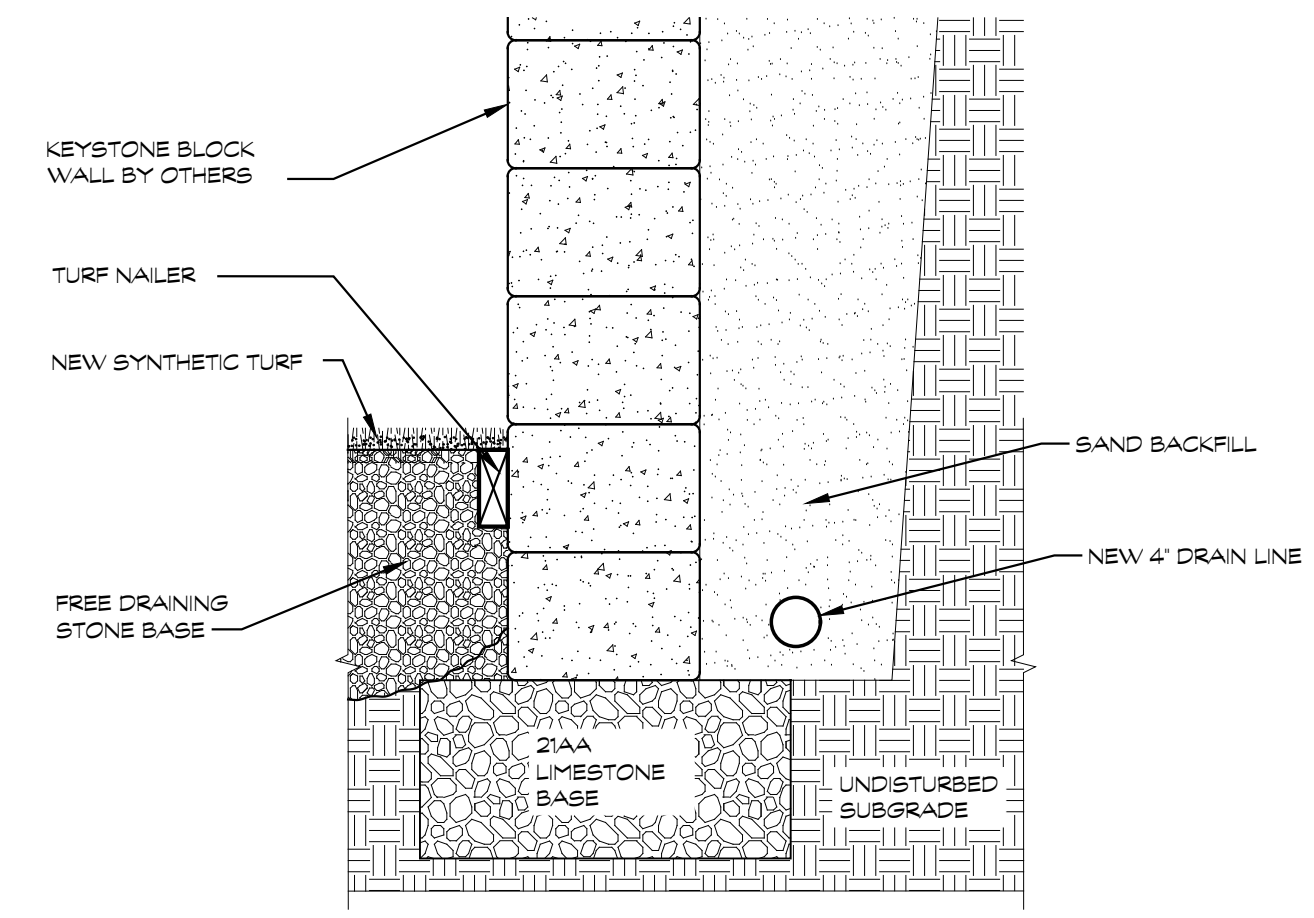
1 FIELD DRAINAGE SECTION
N.T.S.



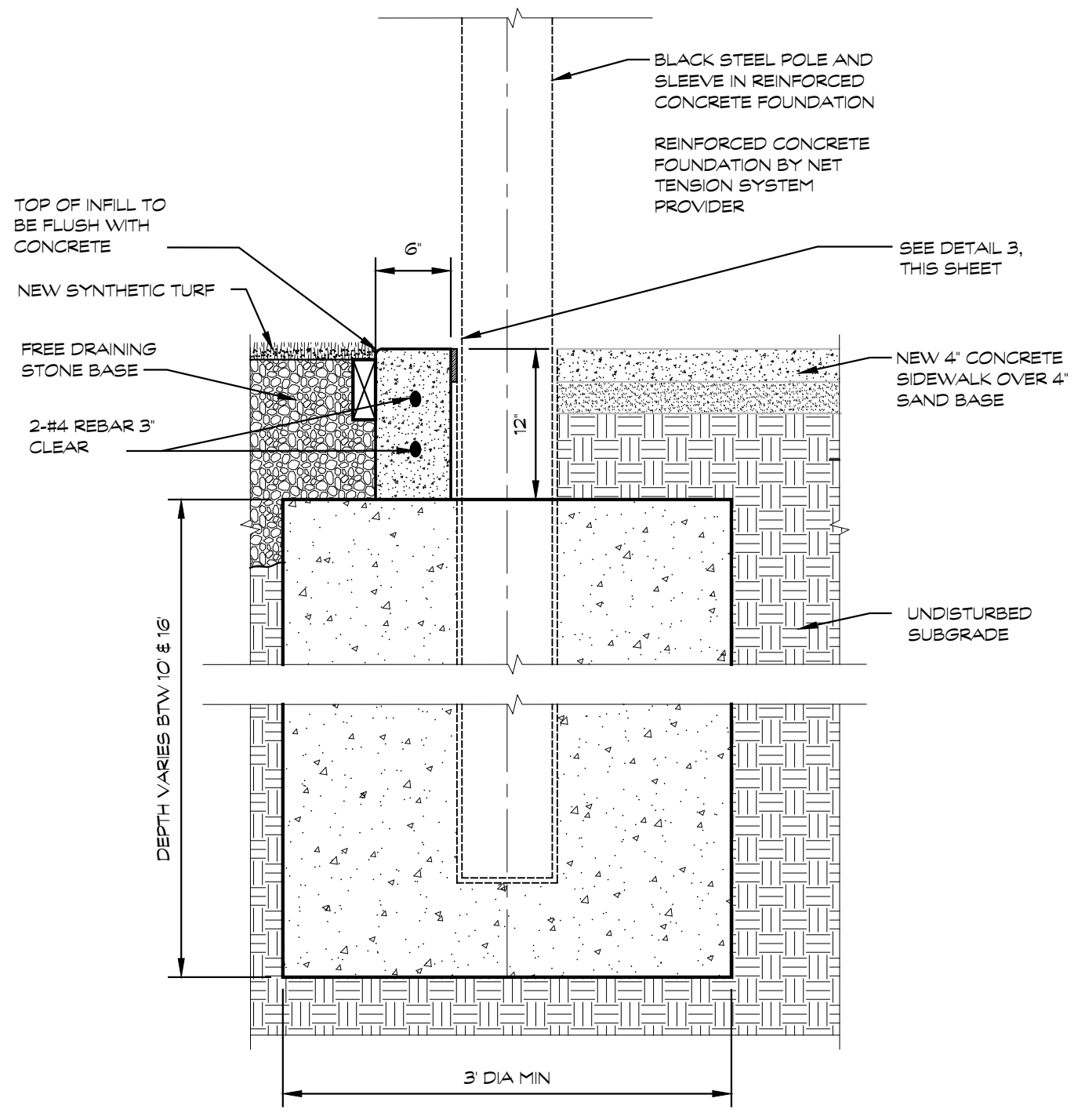
2 TURF ANCHOR - CONCRETE CURB
SCALE 1 1/4"=1'-0"



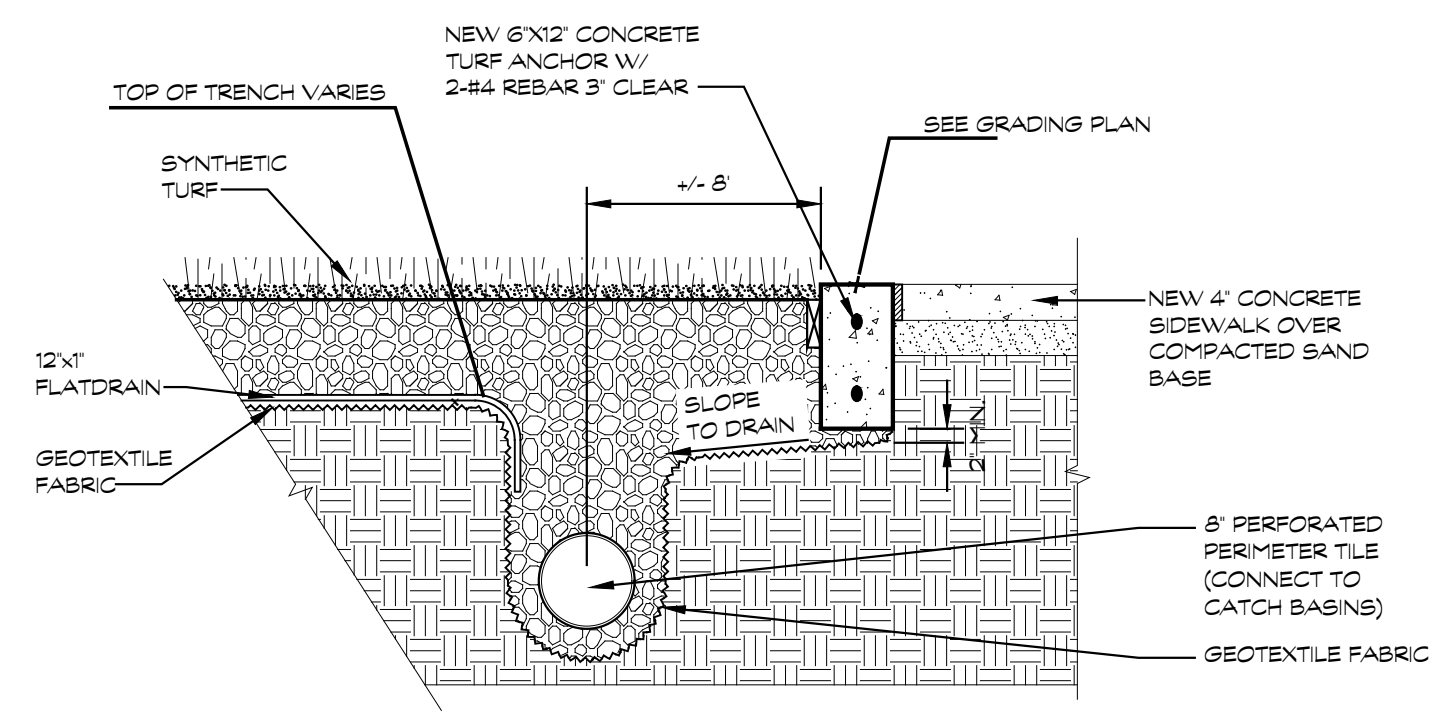
3 TURF ANCHOR - CONCRETE CURB
SCALE 1 1/4"=1'-0"



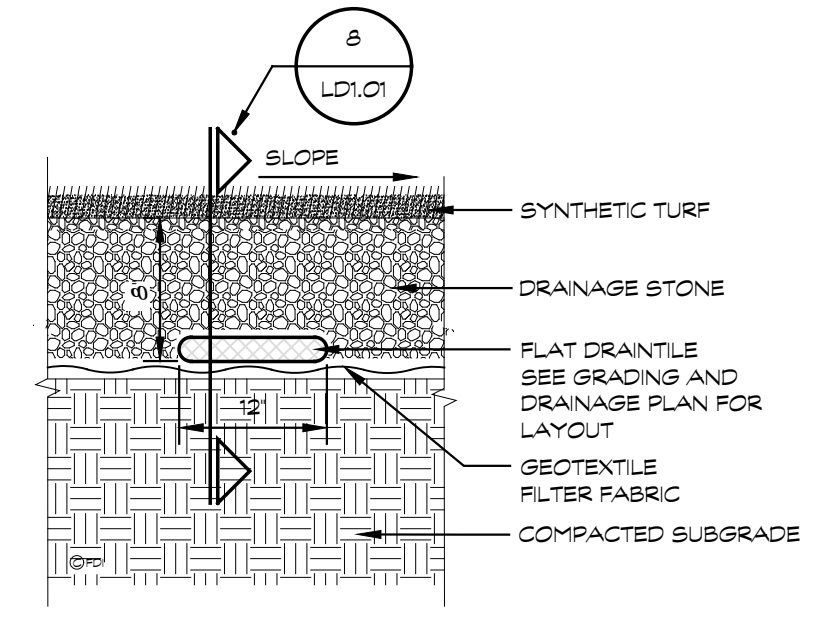
4 TURF ANCHOR - BLOCK WALL
SCALE 1 1/4"=1'-0"



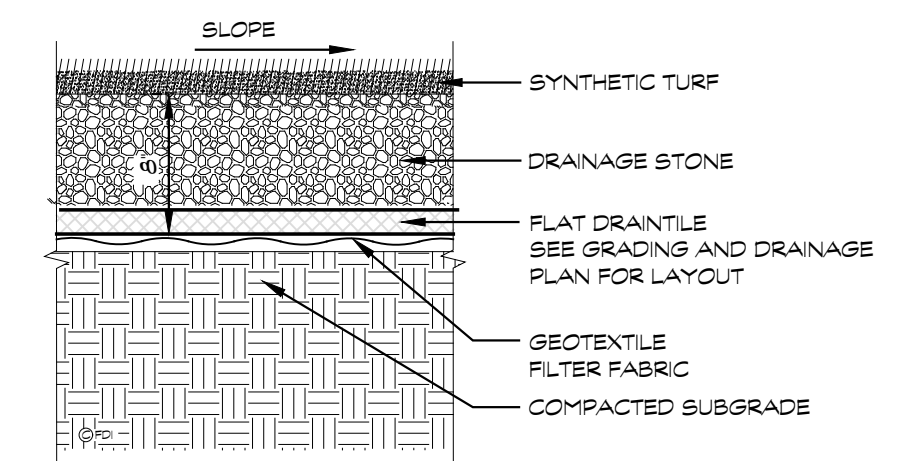
5 TURF ANCHOR - BACKSTOP FOUNDATION
SCALE 1 1/4"=1'-0"



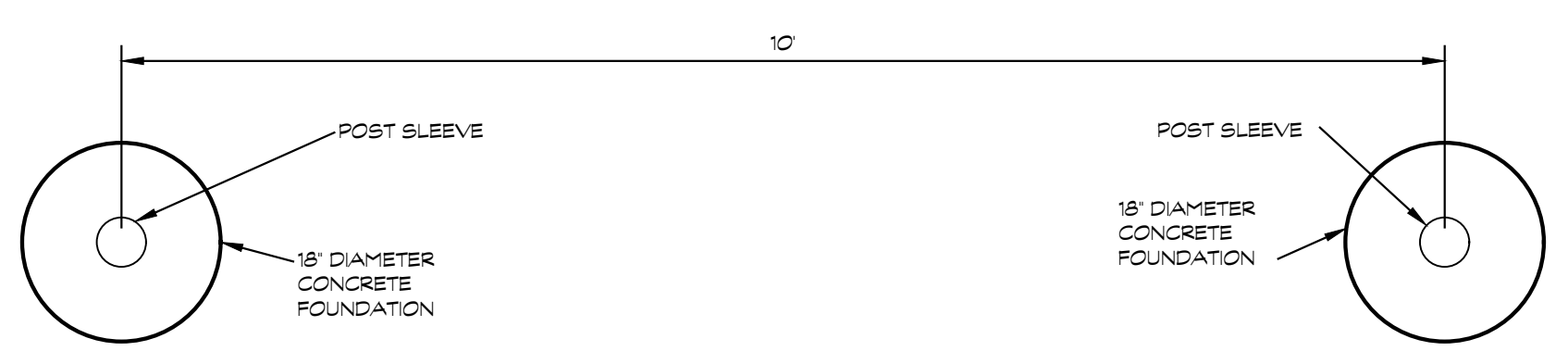
6 EDGE DETAIL-TYP.
SCALE 3/4"=1'-0"



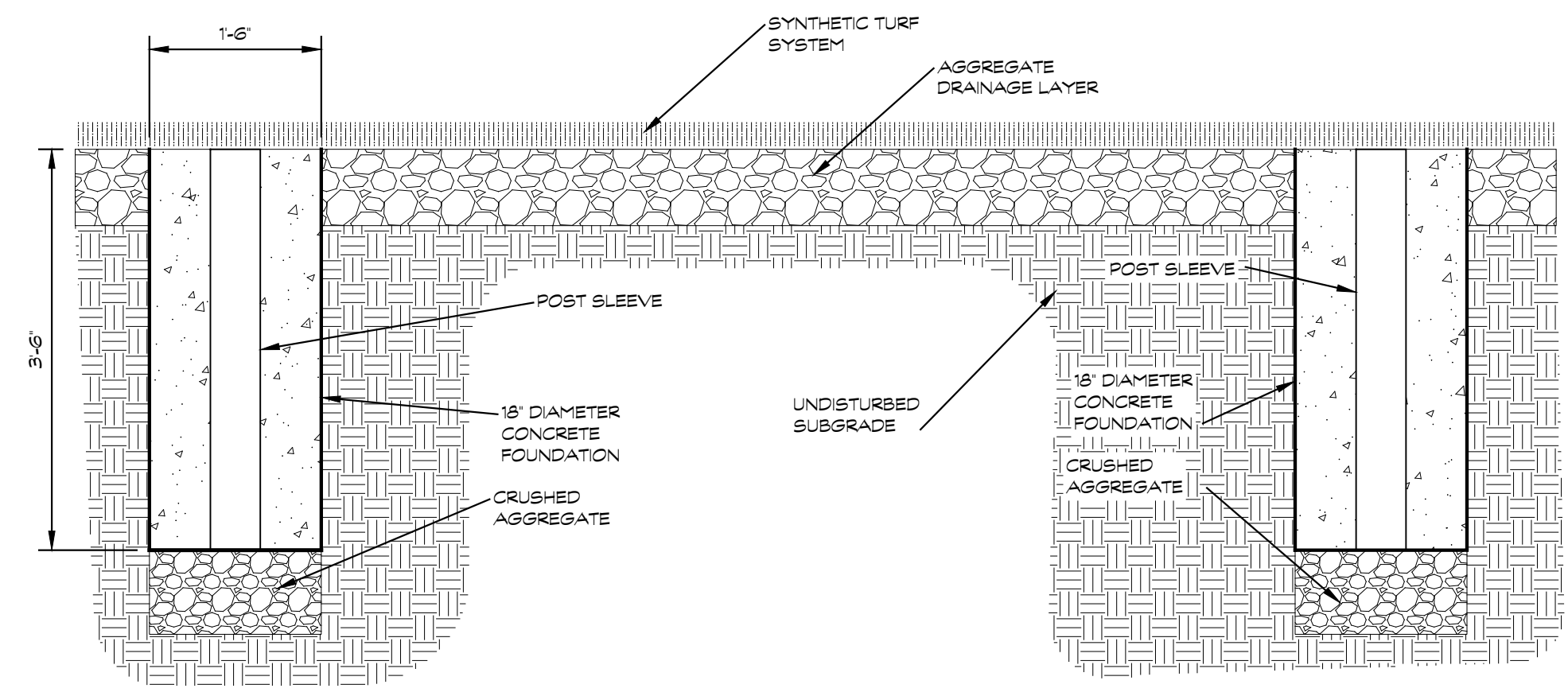
7 SUB DRAINAGE SYSTEM
SCALE 1 1/4"=1'-0"



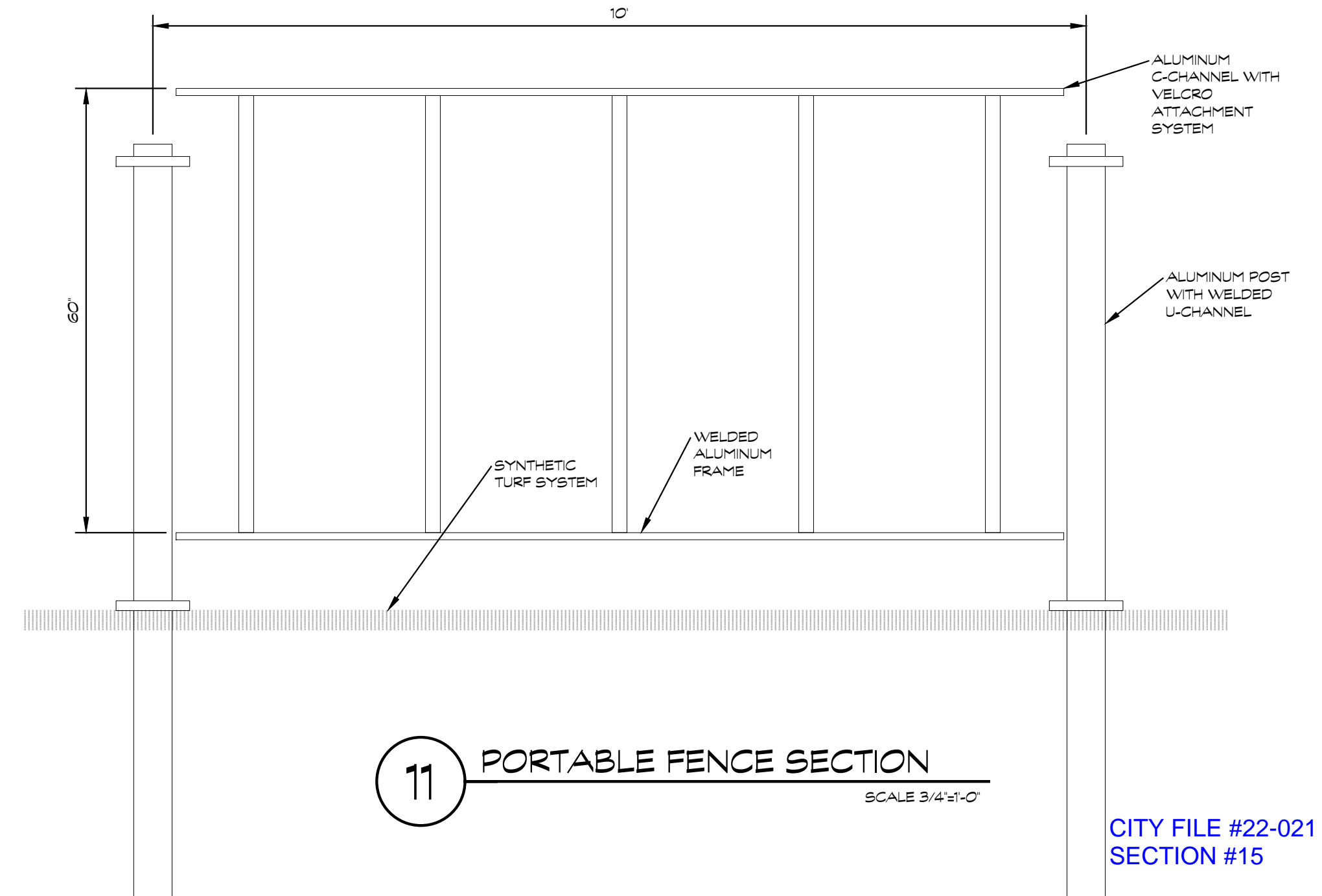
8 SUB DRAINAGE SYSTEM
SCALE 1 1/4"=1'-0"



9 PORTABLE FENCE FOUNDATION DETAIL
SCALE 3/4"=1'-0"



10 PORTABLE FENCE FOUNDATION SECTION
SCALE 3/4"=1'-0"



11 PORTABLE FENCE SECTION
SCALE 3/4"=1'-0"

ISSUE DATE	ISSUED FOR
10/9/22	BIDS
11/23/22	PERMITS
12/2/2022	NO CHANGE
DRAWN	MDS
CHECKED	BSL
APPROVED	BSL

french associates
architects planners interiors

236 Mill Street
Rochester, MI 48307
T 248.656.1377
F 248.656.7746
FRENCH ASSOCIATES, INC.

FORESITE design
ATHLETIC FACILITY PLANNING * SITE PLANNING * CONSULTING * LANDSCAPE ARCHITECTURE
3269 COOLIDGE HWY * BERKLEY, MI 48072
PH: 248.547.7757 * FAX: 248.547.0218
WWW.FORESITEDESIGN.COM

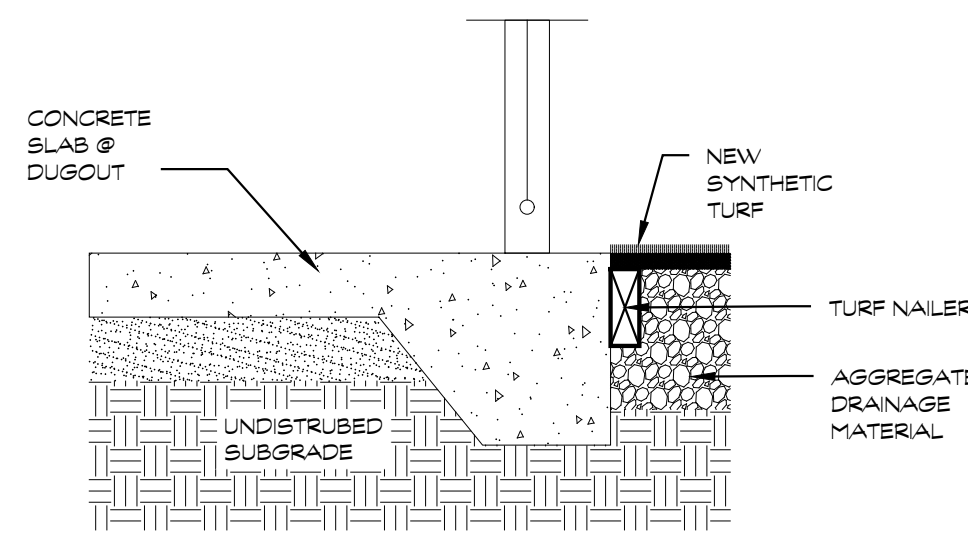
PROJECT
ROCHESTER UNIVERSITY ATHLETIC FIELD IMPROVEMENTS
ROCHESTER HILLS MICHIGAN

SHEET
DETAILS

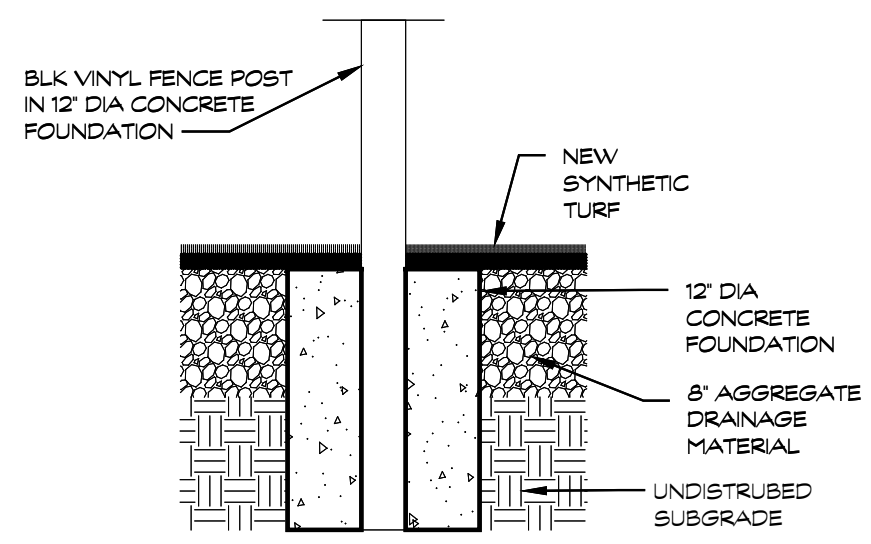
PROJECT NUMBER
2020-003

SHEET NUMBER
LD1.01

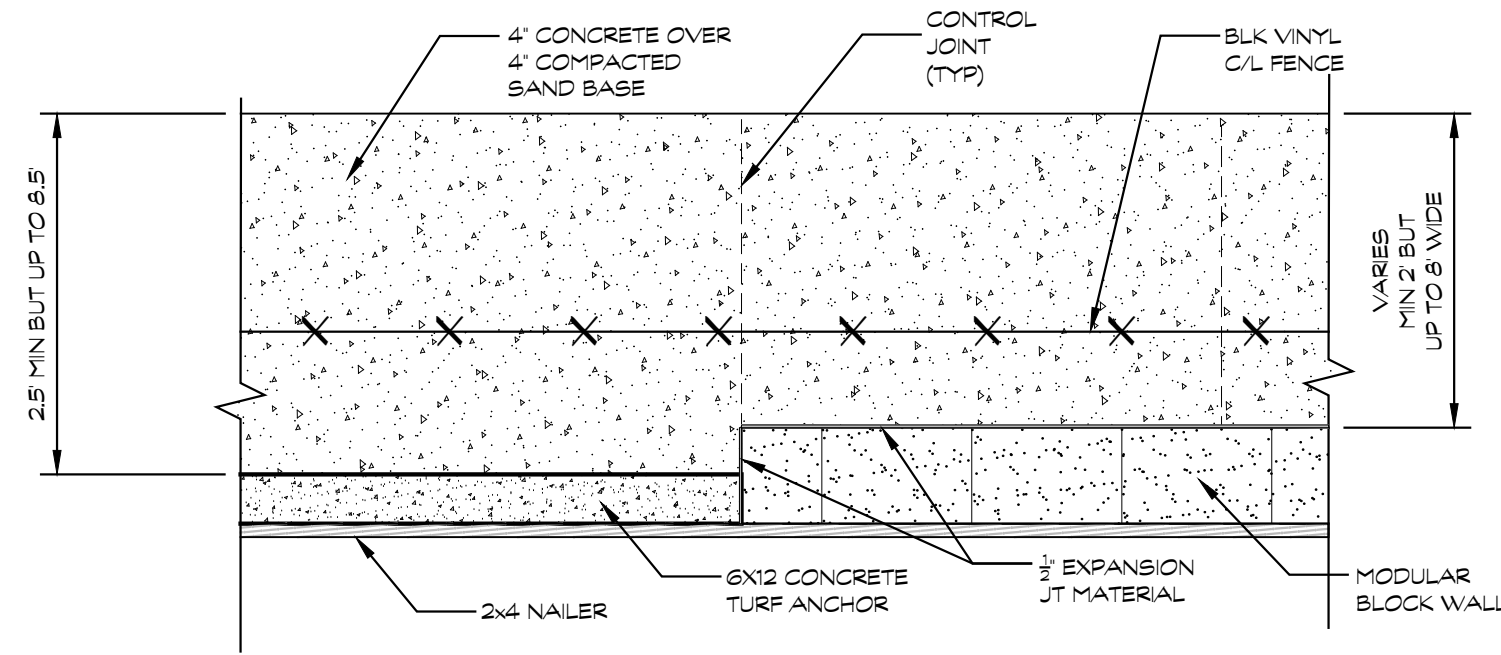
CITY FILE #22-021 SECTION #15



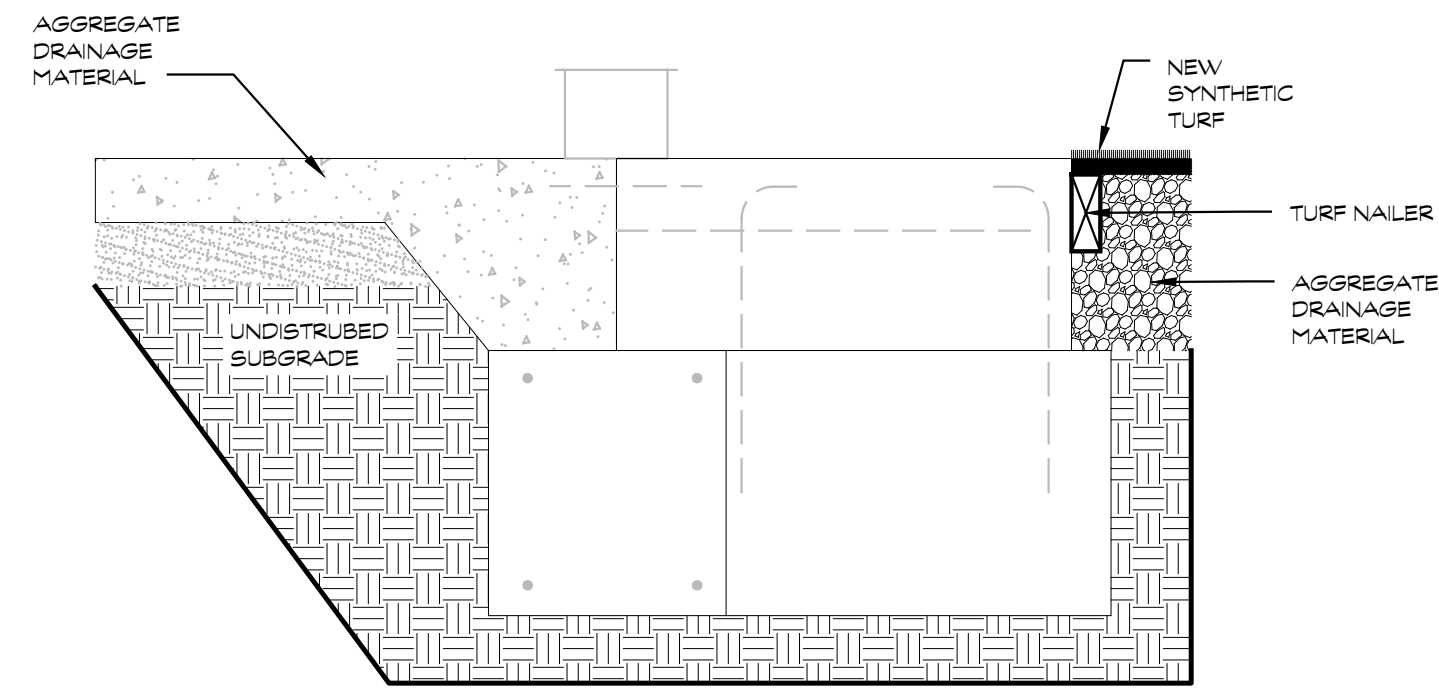
1 DUGOUT NAILER
SCALE 1/2"=1'-0"



2 CHAINLINK FENCE TURF DETAIL
SCALE 1/2"=1'-0"



3 BLOCK WALL - TURF ANCHOR DETAIL
SCALE 1/2"=1'-0"



4 ENTRANCE SLAB NAILER
SCALE 1/2"=1'-0"

ISSUE DATE	ISSUED FOR
10/5/22	BIDS
11/23/22	PERMITS
12/2/2022	NO CHANGE
DRAWN	BSL
CHECKED	MJS
APPROVED	MJS

FRENCH
associates
architects planners interiors
236 Mill Street
Rochester, MI 48307
T 248.656.1377
F 248.656.7746
© FRENCH ASSOCIATES, INC.

FORESITE
design
ATHLETIC FACILITY PLANNING * SITE PLANNING *
CONSULTING * LANDSCAPE ARCHITECTURE
3269 COOLIDGE HWY * BERKLEY, MI 48072
PH: 248.347.7757 * FAX: 248.347.0238
WWW.FORESITEDESIGN.COM

PROJECT
ROCHESTER
UNIVERSITY
ATHLETIC FIELD
IMPROVEMENTS
ROCHESTER HILLS
MICHIGAN

SHEET
DETAILS
ADDENDUM 1

PROJECT NUMBER
2020-003

SHEET NUMBER
LD1.15

