

solus



Contemporary Design, Crafted in Concrete.

Add style and substance to any outdoor space with one of our beautiful concrete products. Our attention to quality and detail will bring a unique sophistication to your gathering space.

Firetable



Clean lined tradition

Modern, concrete tables that house a central fire, these fire pits are sturdy and functional. The simple, smooth, concrete top sections have a curved inner edge that slopes towards the fire opening and reflects the flame light. We also apply a protective coating to help resist stains.

Product variations

Firetable

Sizes: (l) x (w) x (h)
51" x 27" x 19-1/2"

Fuel Options:

Ethanol

Natural Gas

Propane

Output:

60,000

40,000

40,000

Ignition Mechanisms:

Match-lit

Electric Start w/ set flame

Electric Start w/ adjustable flame + safety shut off

off

Accessories:

All-weather Fabric Cover

Colours:

Your choice of 10 different colours

Certifications:

ANSI/CSA & CE certification on the whole product; burner, electronics & vessel



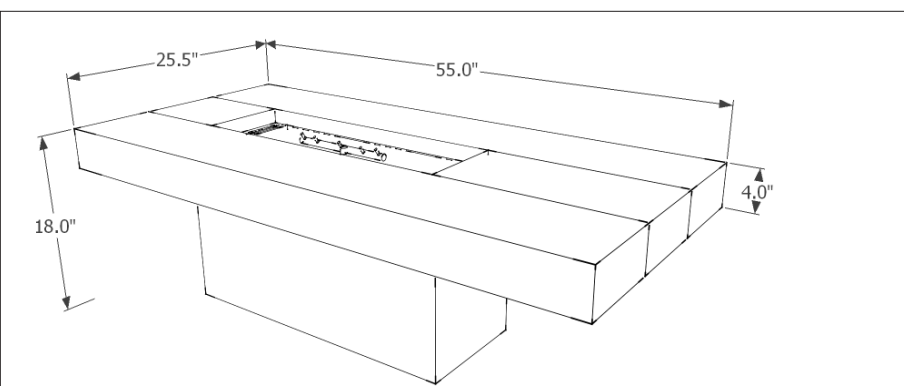
Firetable overview



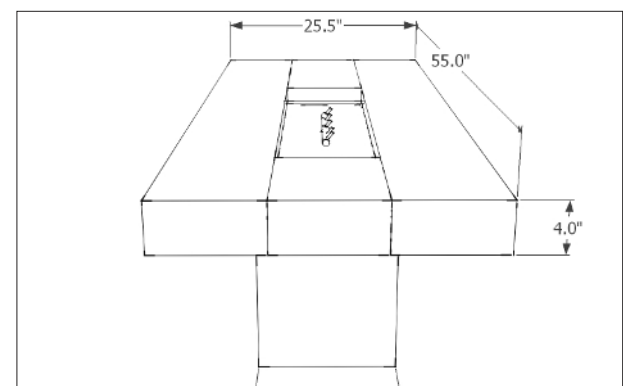
Tented Recaseans cover

New product for summer 2016

Our new Firetable 55 is a sleek update of the original. It has a thick asymmetrical top that cantilevers from a delicate base. The prototype version is being used at The Four Seasons Resort in Whistler BC.



Firetable 55 has an asymmetrical and cantilevered top



Firetable 55 (available summer 2016)